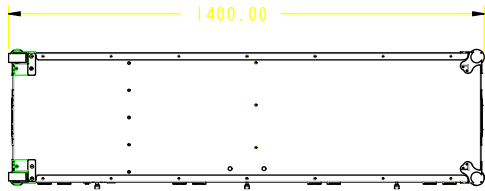
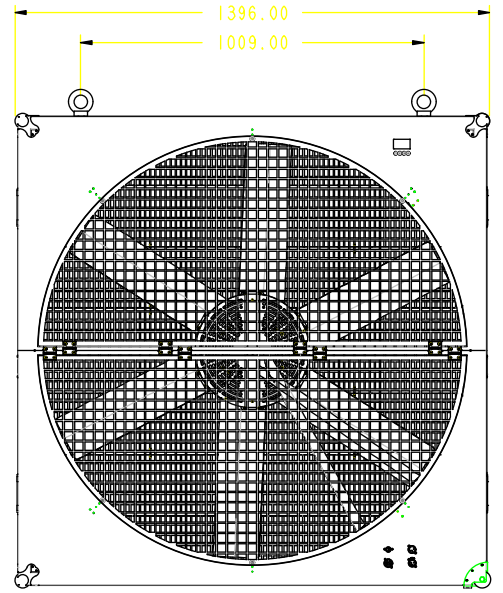
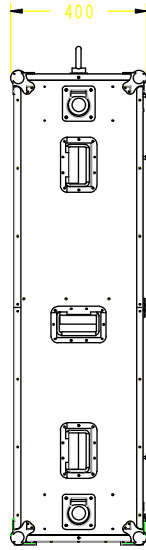


1466.0



1400.00

NEW ISSUE	OLD ISSUE	COMMENTS / CHANGE DESCRIPTION	DATE
-	-	-	-
-	-	-	-
-	-	-	-
UNLESS OTHERWISE SPECIFIED:	DRW. PR.	ISSUE:	DATE
Dimensional Tolerances 0-30 ± 0.05 30-120 ± 0.1 120-300 ± 0.15 300 ± 0.2 ANGLES ± 0.5°	STATUS: SEC DDW/WATERMARK	1	04-Dec-2017
PROPRIETARY NOTICE: All information herein is the sole and exclusive property of GLP, and may not be used, disclosed or reproduced in any manner without the advance written consent of GLP.	SIZE A3	DWG NO.: GLP-20437	German Light Products GmbH Industriestrasse 2 76337 Karlsruhe - Germany +49 (0)7243-92719-0 www.glp.de
THIRD ANGLE PROJ.	DESCRIPTION FORCE-120	MATERIAL:	FILENAME: TEST_MODEL_NAME
	DO NOT SCALE	SCALE 0.000	SHEET 1 OF 1