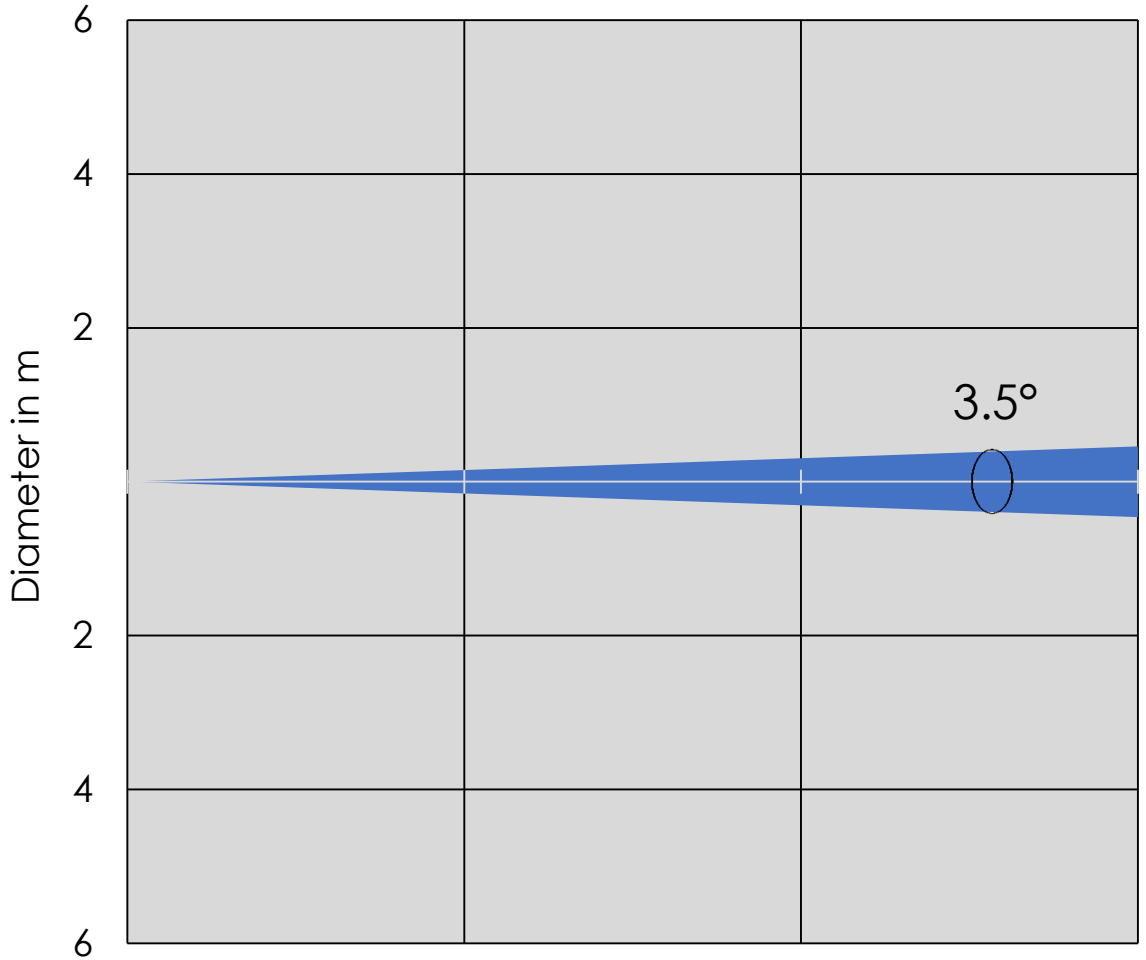




Photometrics Diagrams

Minimum Zoom (3.5°)

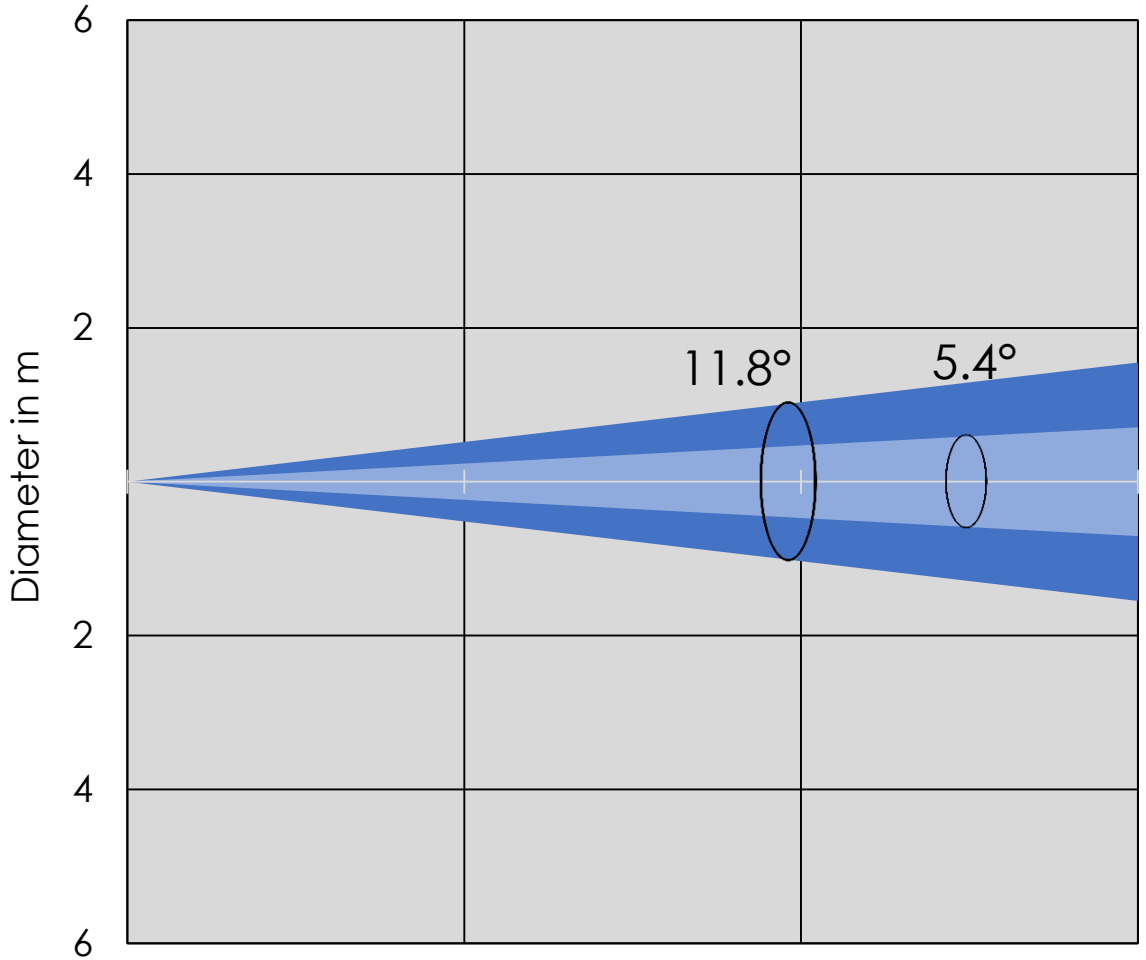


Distance (m)	0	5	10	15
Diameter (m)	0	0.31	0.61	0.92
Intensity (lx)		1 250 000	325 000	120 000



Photometrics Diagrams

Minimum Zoom with frost (5.4° 10%, 11.8° 50%)

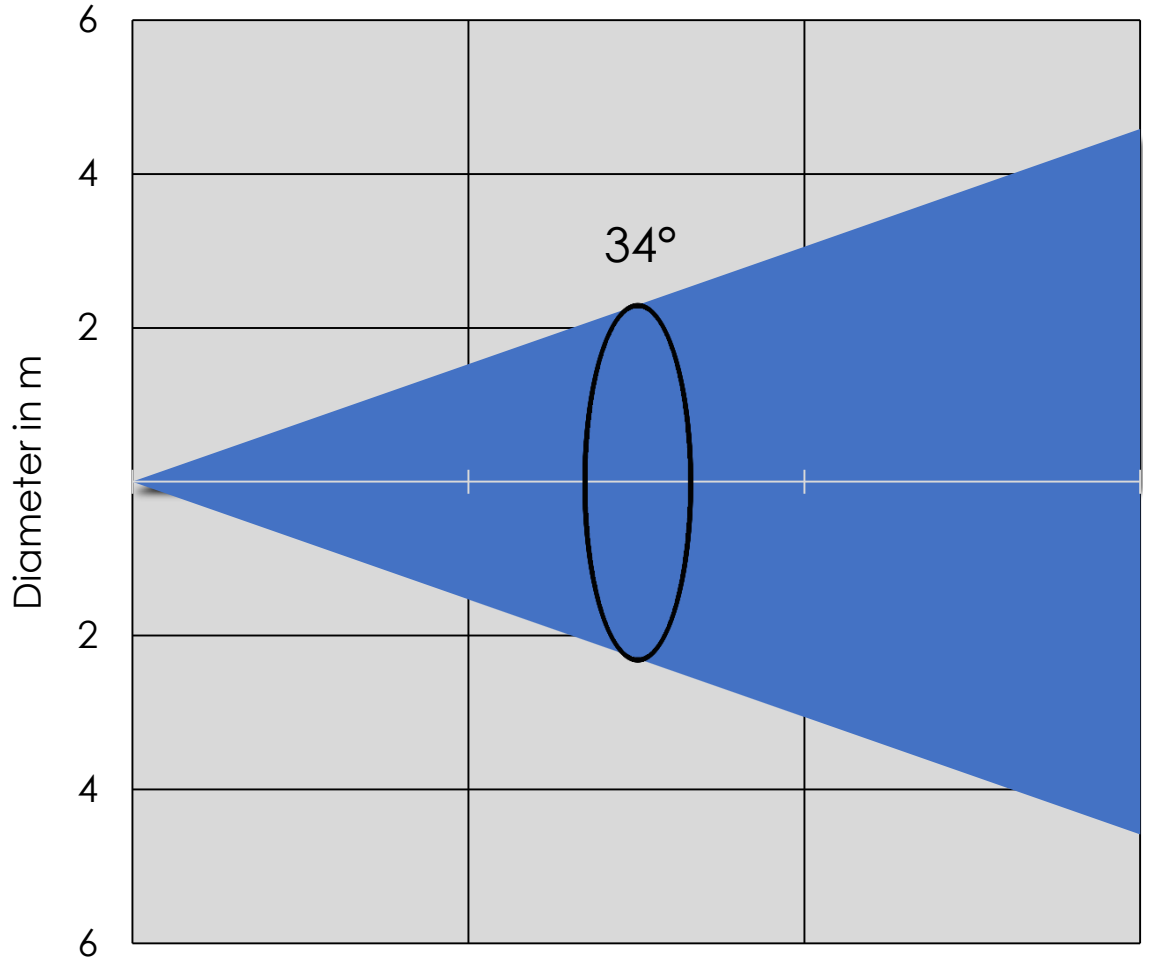


Distance (m)	0	5	10	15
Diameter (m)	0	0.5	0.9	1.41
Diameter (m)	0	1	2.1	3.1
Intensity (lx)		31 000	8 000	3 700



Photometrics Diagrams

Maximum Zoom – focused (34°)

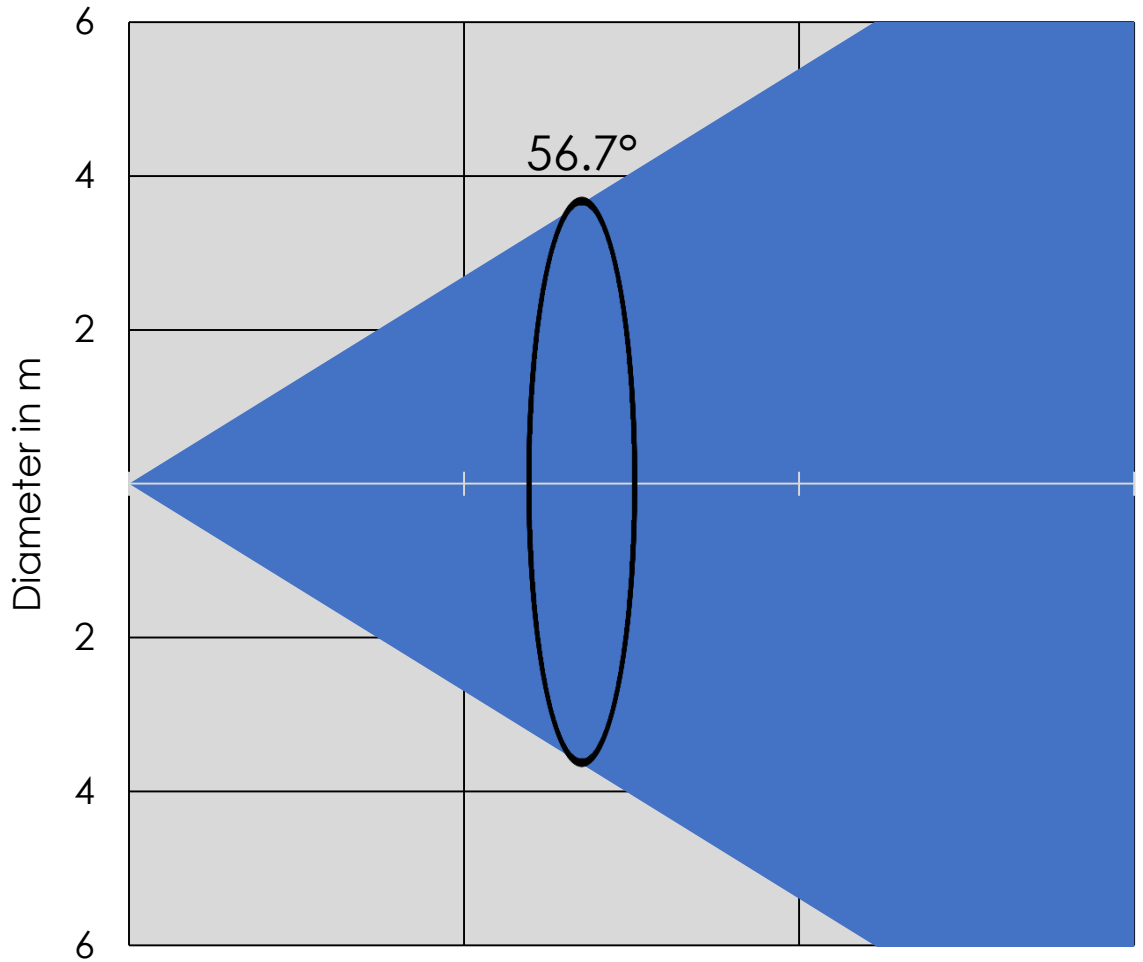


Distance (m)	0	5	10	15
Diameter (m)	0	3.1	6.1	9.2
Intensity (lx)		11 000	2 700	1 100



Photometrics Diagrams

Maximum Zoom (56.7°)

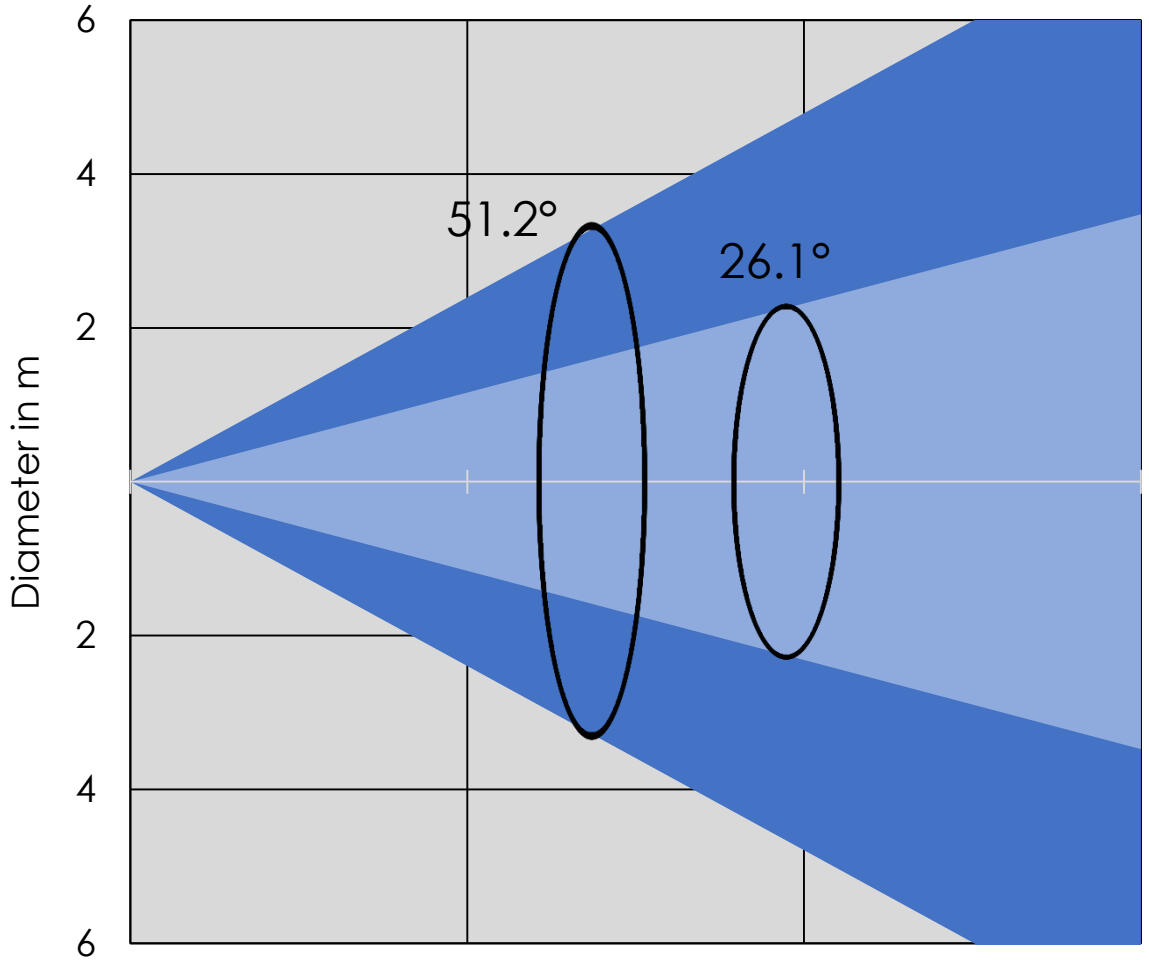


Distance (m)	0	5	10	15
Diameter (m)	0	5.4	10.8	16.2
Intensity (lx)		15 200	3 300	1 000



Photometrics Diagrams

Maximum Zoom with frost (26.1° 10%, 51.2° 50%)



Distance (m)	0	5	10	15
Diameter (m)	0	0.5	0.9	1.41
Diameter (m)	0	1	2.1	3.1
Intensity (lx)		1 880	490	230