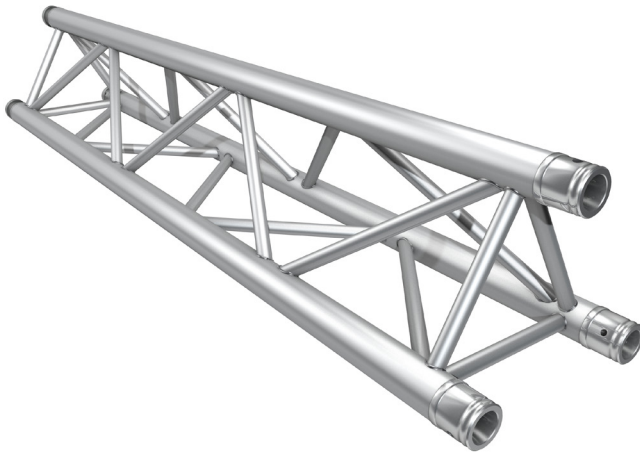


# F33

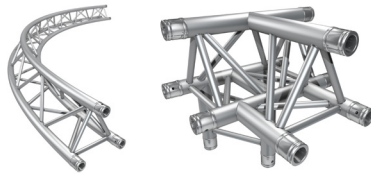
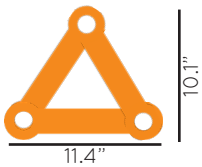


The F33 is a triangular high strength truss system that combines light weight with optimum strength and load capacity.

F33 is also available in arcs and circles, with a wide variety of corner sections are also available.

## Technical Data

Pipe diameter: 1.96"  
 Wall thickness: 0.08"  
 Material: AlMgSi F31/T6082  
 Connectors: Included  
 TÜV Nord cert.: Yes  
 DIN: 4113,4113-3,13814



Span	Uniform distribution load	Deflection	Third point load	Deflection	Quarter point load	Deflection
Feet	Pounds	Inches	Pounds	Inches	Pounds	Inches
3.3	4197.6	-	1565.3	-	1324.3	-
6.6	1918.5	1	1148.2	0.2	907	0.1
9.8	846.6	2.3	907	0.3	634.9	0.2
13.1	474	4.3	709.4	0.5	472.9	0.4
16.4	299.4	5.9	561.9	0.8	374.3	0.7
19.7	205.3	8.5	461.9	1.1	307.8	1
23	148.4	11.8	389.8	1.5	259.7	1.3
26.2	111.6	15.4	334.9	1.9	223.3	1.7
29.5	86.4	19.4	291.5	2.4	194.2	2.2
32.8	68.3	24	256	3	170.6	2.7
36.1	54.9	29	226.4	3.5	151	3.3
39.4	44.8	34.5	201.3	4.2	134	3.9
42.7	35.7	40.4	179.5	5	119.5	4.6