

X5



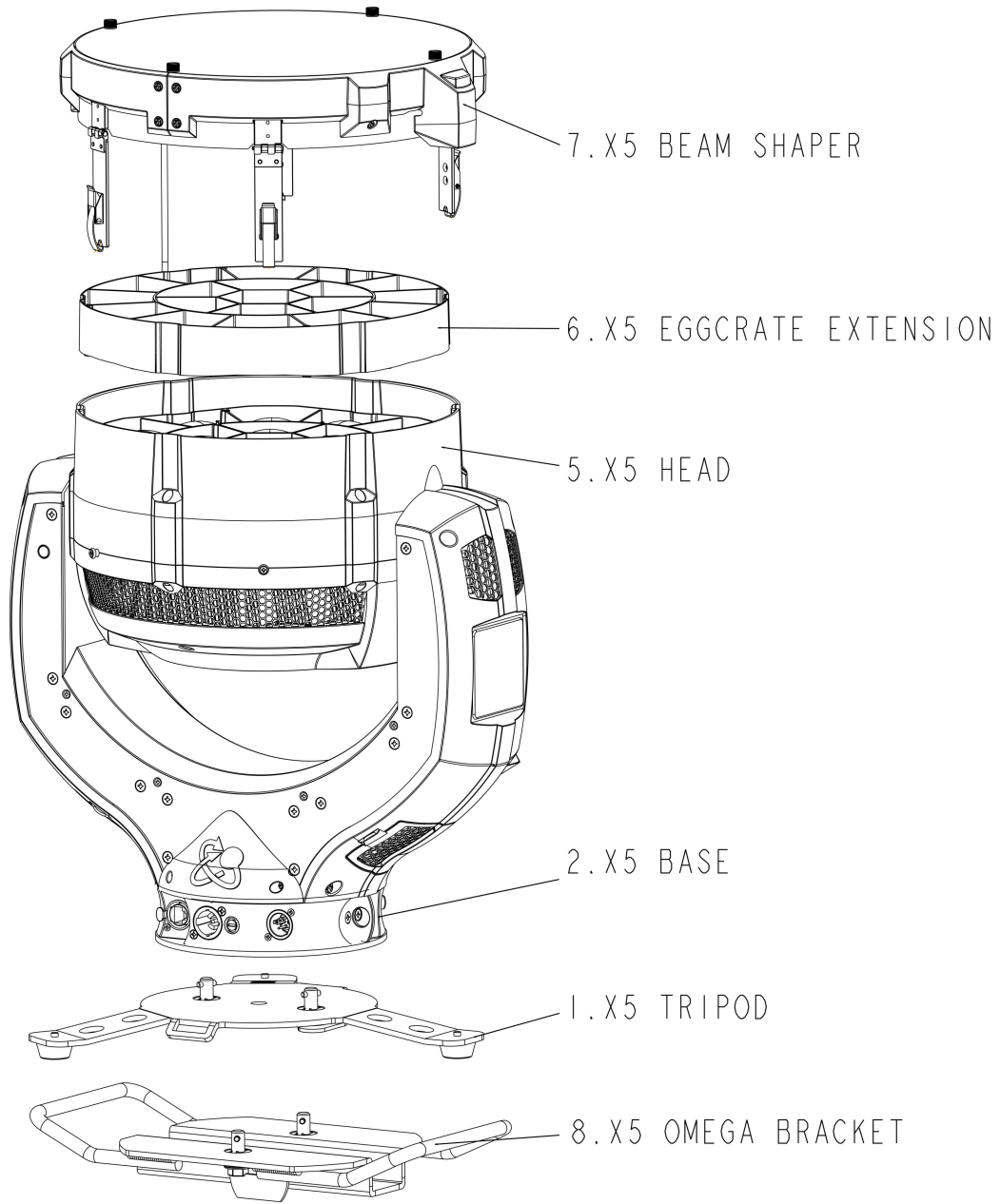
Technische Serviceanleitung /
Technical Service Manual
Rev2.0



e-mail : support@glp.de
web : <http://www.glp.de>

Log		
Date	Content	Version
2023.12.20	1、 Update the log; 2、 307061206 is replaced with 307061217 on pages 20 and 22	Rev2.0

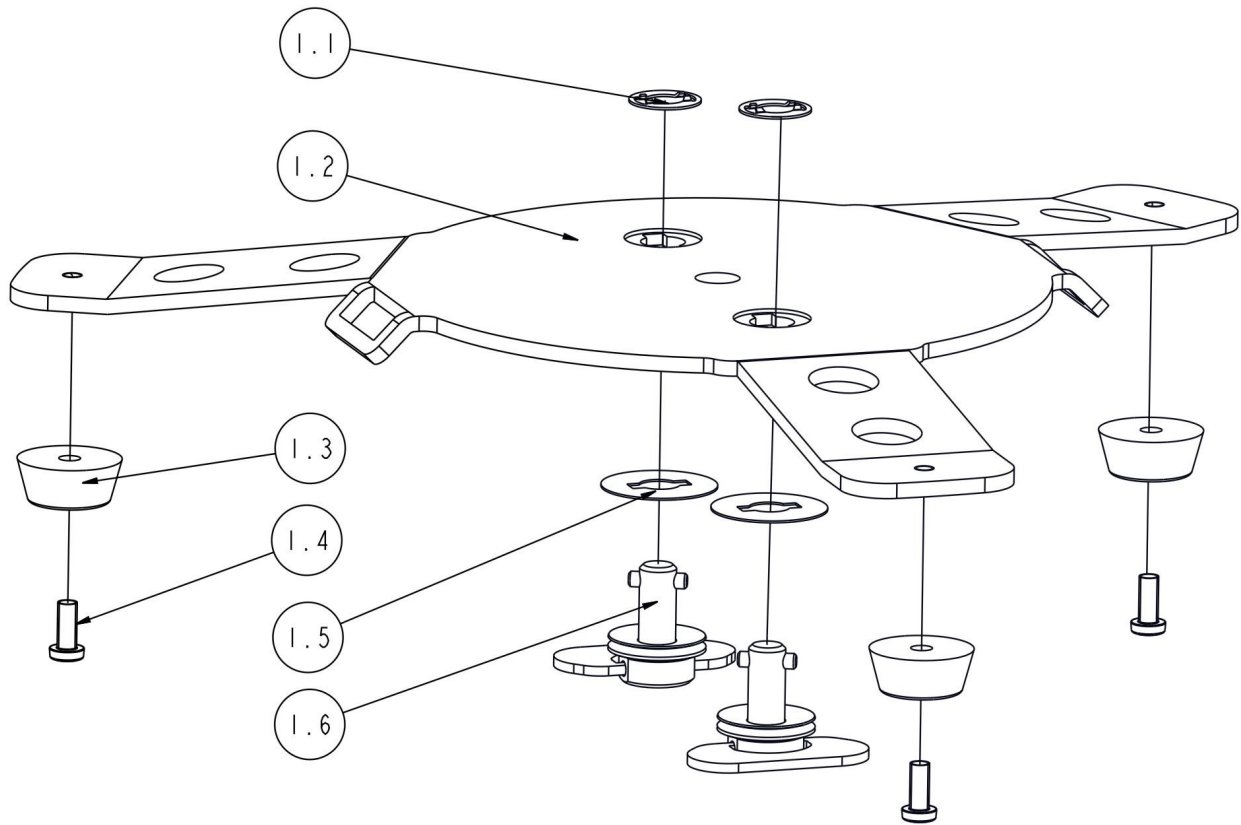
0. Overview



0. Overview

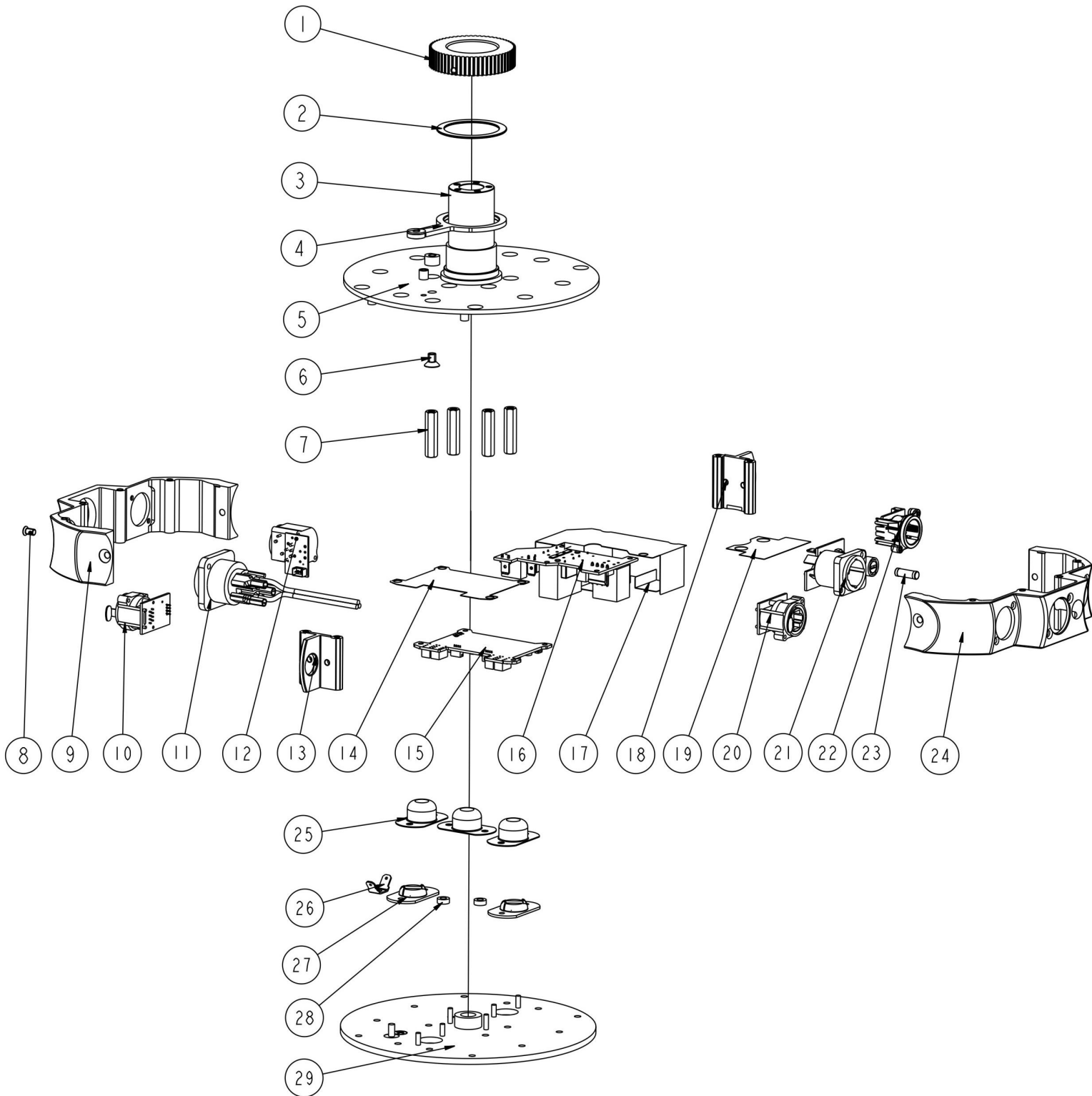
Pos.	Code	Name	Quantity
1	207011409	X5-TRIPOD-MODULE	1
2	207011410	X5-BASE-MODULE	1
5	207011402	X5-HEAD-MODULE	1
6	308011581	X5-EGG-CRATE-EXTENSION	1
7	207011478	X5 BEAM SHAPER	1
8	207011458	X5 Omega bracket with camloc	1
	207011459	X5 omega bracket without camloc	1

1. X5-TRIPOD-MODULE



POS	CODE	NAME	QUANTITY
1.1	204050186	SPACER-TRIPOD	2
1.2	204051758	X5-TRIPOD	1
1.3	308000070	GUMMIFUSS	3
1.4	303010121	SCREW PAN HEAD/CROSS DRIVES BLACK M5X10	3
1.5	304000162	CAMLOC-SICHERUNG	2
1.6	304000163	CAMLOC-MALE	2

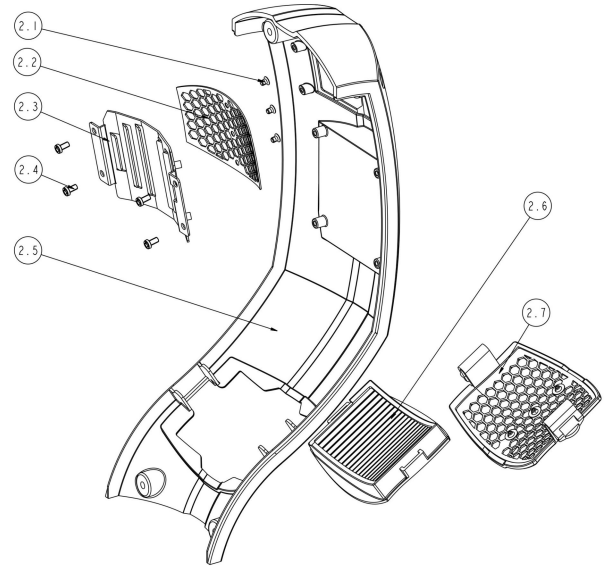
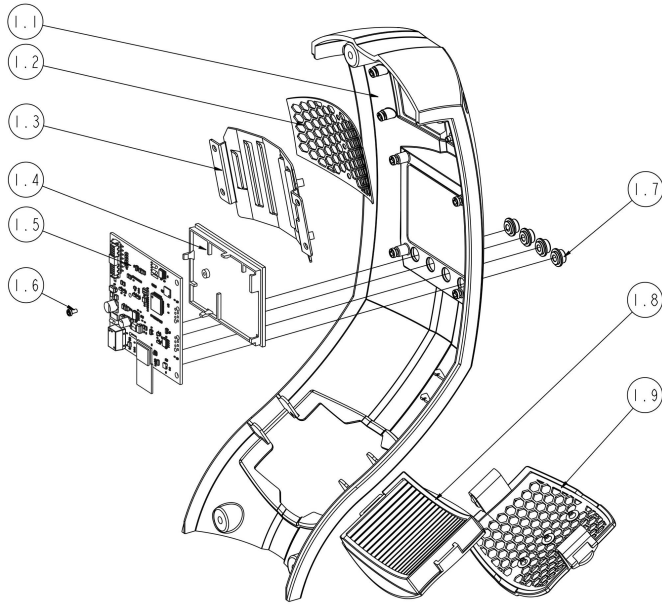
2. X5 BASE



2.X5 BASE

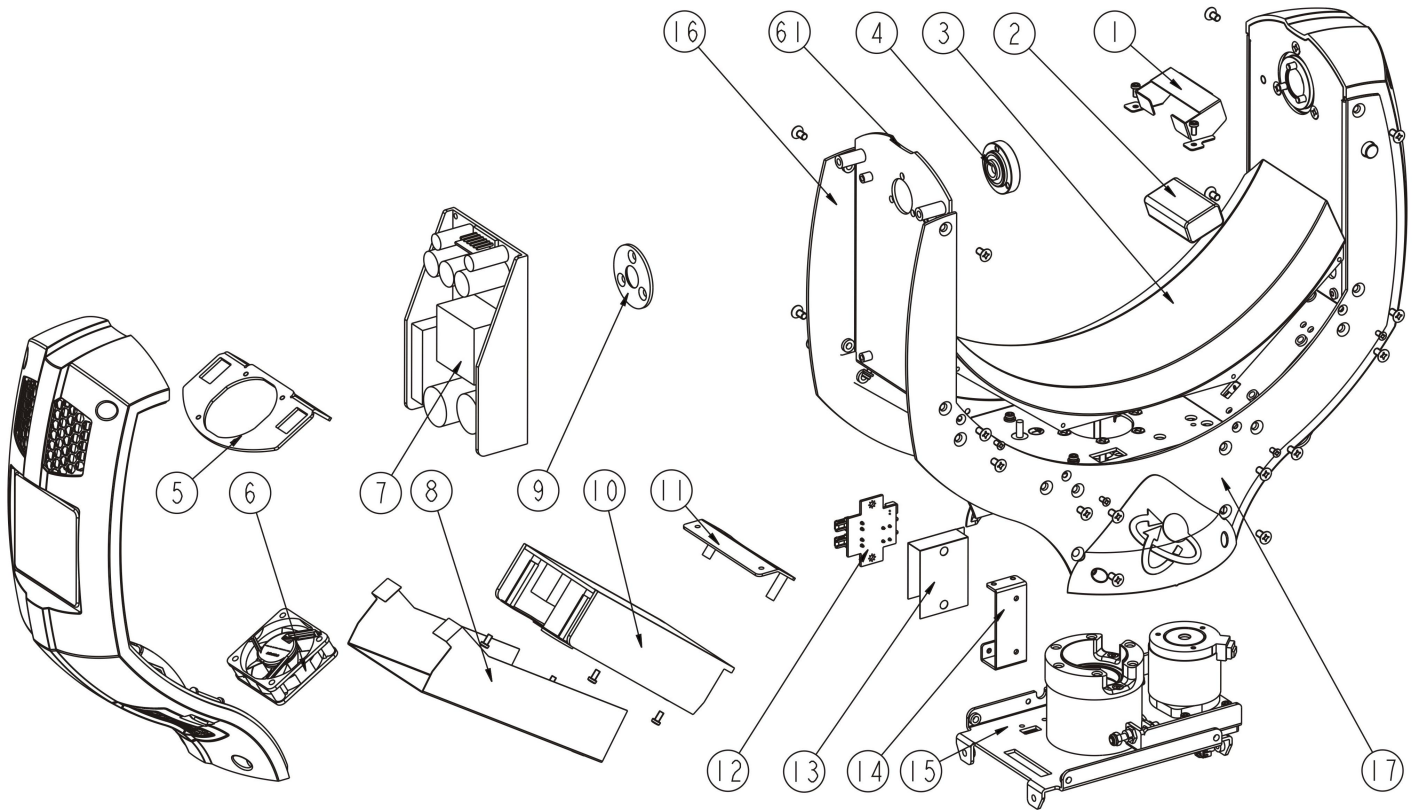
POS	CODE	NAME	QUANTITY
1	304031376	X5-GEARWHEEL-PAN	1
2	308000122	GELITRING	1
3	304031375	X5-PAN-ACHSE	1
4	207010135	LOLLI-MODULE	1
5	204051760	X5-ACHSBLECH-BASE	1
6	303010158	KREUZSCHLITZ-SENKKOPF-M5X8	1
7	304031374	SPACER-BASE-X5	4
8	303010230	KREUZSCHLITZ-SENKKOPF-M4X10-S	4
9	304031371	X5-BASE-SHELL2	1
10	315006088	X5_Ethernet-PCB-MODULE	1
11	307020162	NAC3FPX-TOP	1
12	207011467	NC5FAH-ALL	1
13	304031380	X5-SAFETYOESE-BLACK	1
14	308000415	INSULATION-BASE-2-X5	1
15	315006086	X5_NETWORK-INTERFACE-25	1
16	315006085	IMPRESSIONX5_LINE-FILTER_V01_AS	1
17	308000415	INSULATION-BASE-X5	1
18	304031381	X5-SAFETYOESE-GREY	1
19	308000412	X5-INSULATION-FOR-POWERCON	1
20	315006088	X5_Ethernet-PCB-MODULE	1
21	315006157	POERCON-IN-MODULE	1
22	207010634	NC5MAV-ALL	1
23	315083024	FUSE 10A-250V	1
24	304031372	X5-BASE-SHELL1	1
25	204050113	2-38	3
26	204050033	EARTHCONNECTOR-4.2MM	1
27	304000135	2-28	2
28	304030097	SPACER-BASE-CAMLOC	2
29	204051759	X5-BASE-BODENBLECH	1

3.X5 YOKE COVER

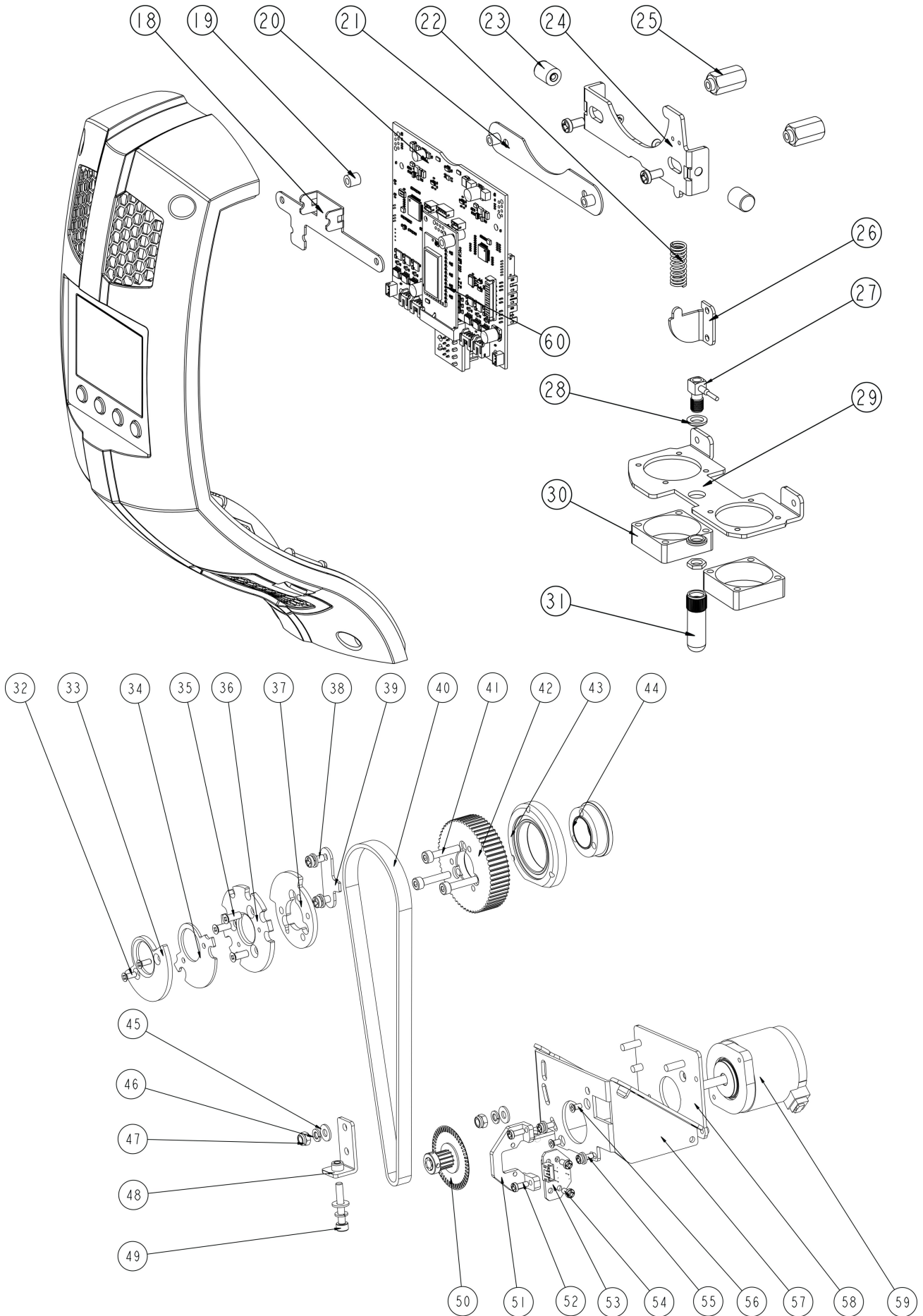


POS	CODE	NAME	QUANTITY
1	207011406	X5-ARM-DISPLAY-MODULE	1
1.1	207011460	X5-COVERSHELL-DISPLAY-ASSEMBLY	1
1.2	204051756	X5-YOKE-OUTPUT-GRID2	1
1.3	204051757	X5-COVER-ARM-COVER	1
1.4	207011477	X5-DISPLAY-MODULE	1
1.5	315006198	IMPRESSION_X5_MAINBOARD	1
1.6	313010196	KREUZSCHLITZ-LINSENKOPF-M2X4	1
1.7	304031373	KEYSTOKE-X5	4
1.8	308000413	X5-FILTERMAT	1
1.9	207011461	X5-COVERSHEEL-DOOR-ASSEMBLY	1
2	207011407	X5-ARM-LABEL-MODULE	1
2.1	303010145	SENKKOPF-M3X4	3
2.2	204051756	X5-YOKE-OUTPUT-GRID2	1
2.3	204051757	X5-COVER-ARM-COVER	1
2.4	313010064	KREUZSCHLITZ-LINSENKOPF-M3X6	4
2.5	207011628	X5-COVERSHELL-LOGO-ASSEMBLY	1
2.6	308000413	X5-FILTERMAT	1
2.7	207011461	X5-COVERSHEEL-DOOR-ASSEMBLY	1

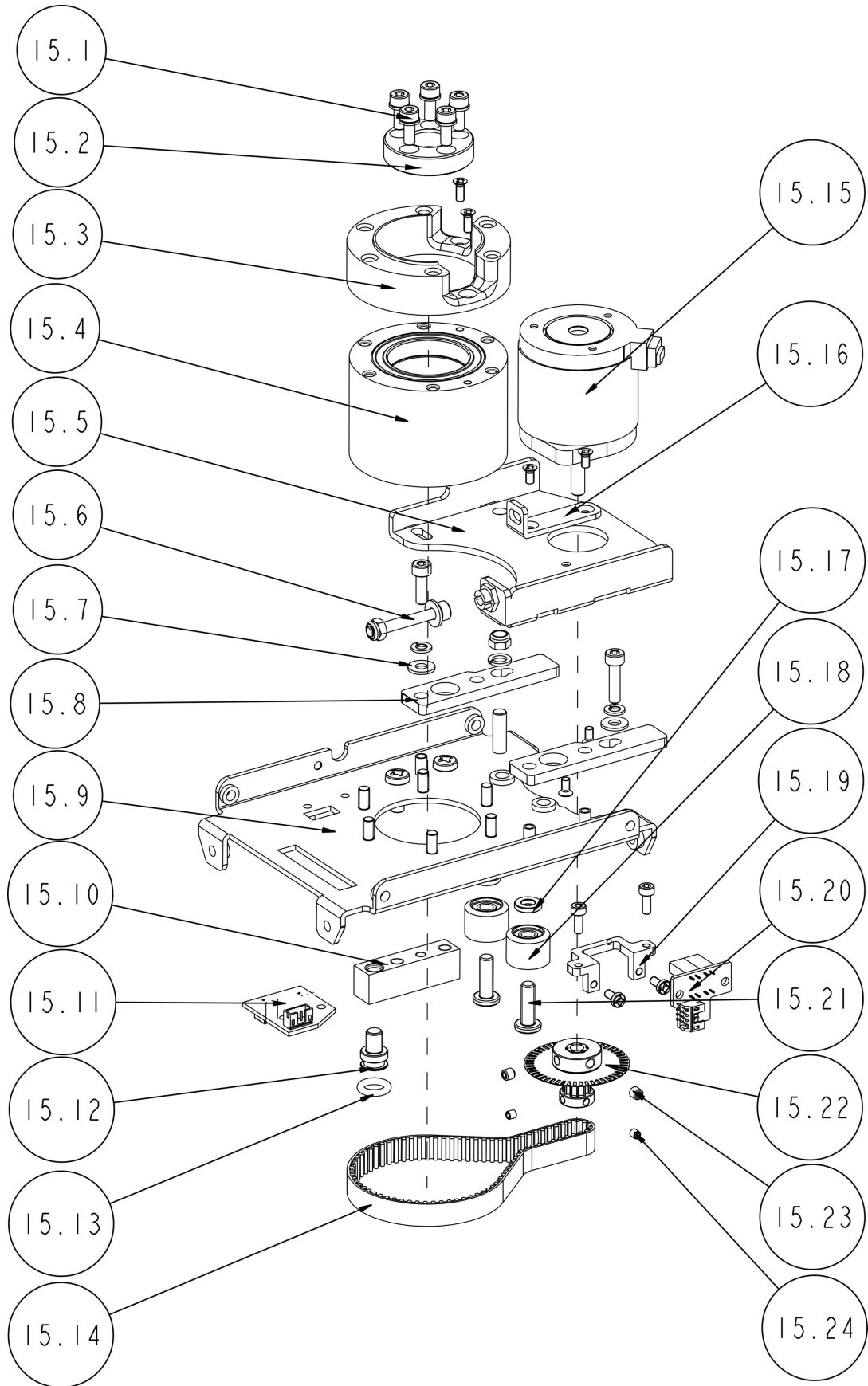
4.X5 YOKE



POS	CODE	NAME	QUANTITY
1	204051743	X5-BATTERY-SHEET	1
2	306070006	5035342-CN, maxE-NIMH-Isd-8.4V-E200-ni/CN	1
3	308010549	X5-RUNDBLENDE	1
4	207011464	BEARING-608Z-ASSEMBLY	1
5	204051754	X5-SINGLEFAN-HOLDER	1
6	307061209	MF50151VX-1000C-G99-S	1
7	315006176	GLP-800WLLC-48-127X81X36	1
8	308040128	X5-INSULATION-PFC-BLH	1
9	204051745	BEARING-PLATE-608Z	1
10	315006175	GLP-800WPFC-400-127X81X39	1
11	204051857	X5-PSU-WINKEL2-BLH	1
12	315006140	X5_Transfer_V01	1
13	308000416	X5_TRANSFER-INSULATION	1
14	204051761	X5_TRANSFER-HOLDER	1
15	207011404	X5-PANDRIVE-ASSEMBLY	1
16	207011463	X5-YOKE-SIDECOVER-2-ASSEMBLY	1
17	207011462	X5-YOKE-SIDECOVER-1-ASSEMBLY	1

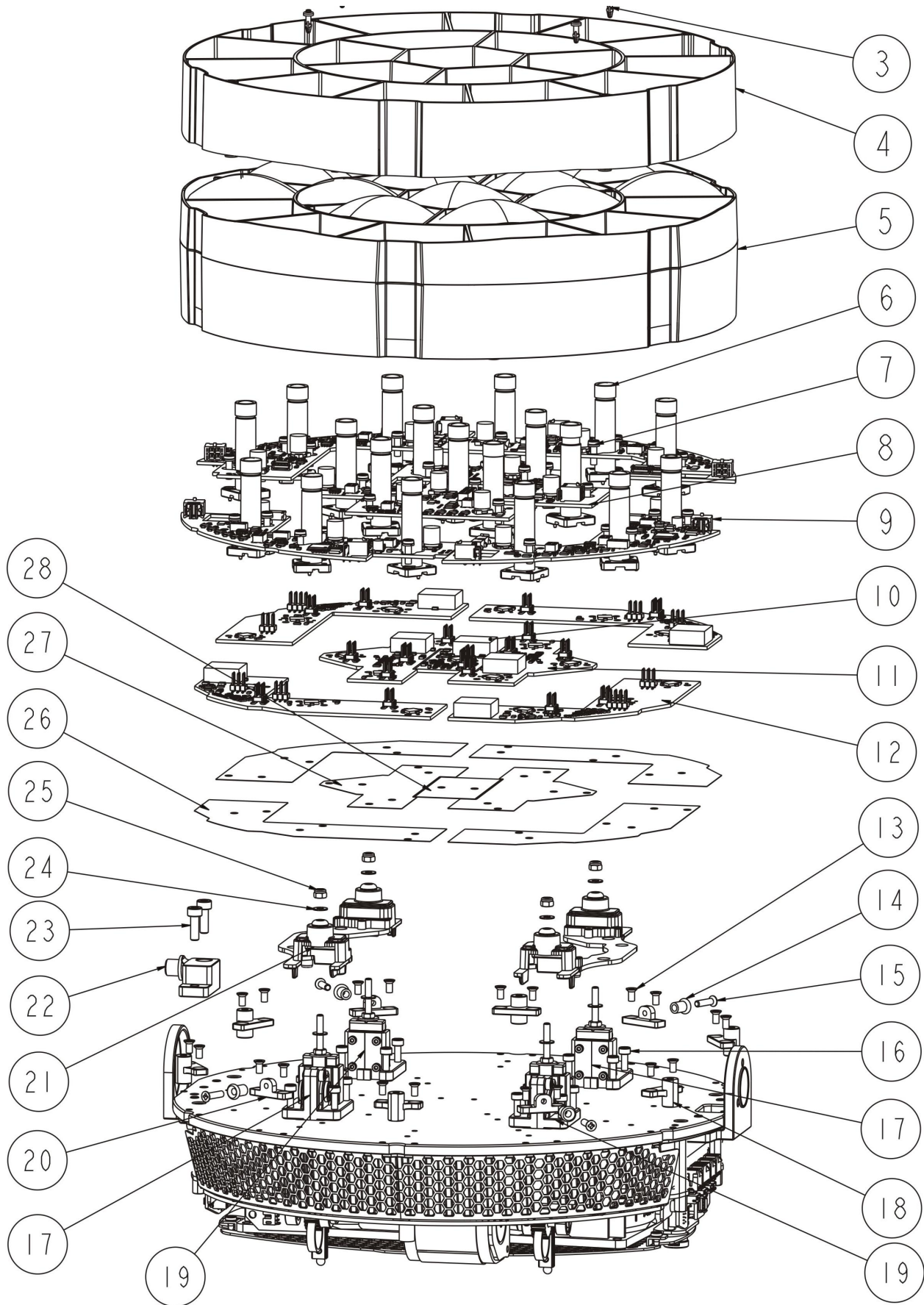


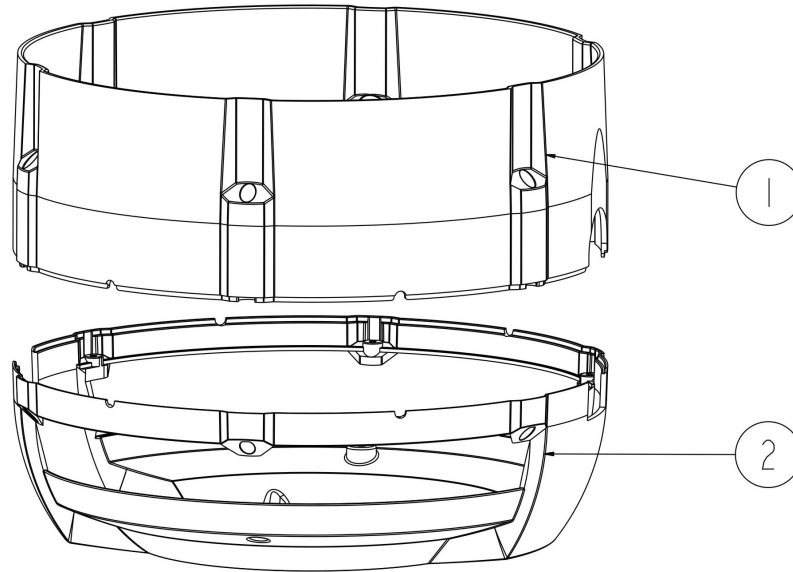
POS	CODE	NAME	QUANTITY
18	204051839	X5-ARM-CABLE-HOLDER	1
19	304031414	SPACERS-3-1-6-6	2
20	315006180	IMPRESSION_X5_DRIVERBOARD	1
21	204051740	X5-TILTLOCK-BLECH	1
22	313040002	SPRING-GLP-10483	1
23	304031355	TILTLOCK-BUTTON-X5	2
24	204051739	X5-TILTLOCK-SCHIEBER	1
25	304031358	X5-TILTLOCK-BOLZEN	2
26	204051130	GLP-10482	1
27	315086001	2.4G/C168-JL-4011	1
28	308040115	FEEDER-LINE-COVER	2
29	204051753	X5-DOUBLE-FANHOLDER-1	1
30	307061204	X5 Driverboard_F1\F2 to FAN +90MM	2
31	307070004	C168-JL-3535 2.4G	1
32	303010414	KREUZSCHLITZ-SENKKOPF-M3X08	2
33	204051735	X5-WINKELGEBER	1
34	204051762	X5-WINKELGEBER-BOTTOM	1
35	313010323	KREUZSCHLITZ-SENKKOPF-M4X10-S	3
36	204051734	X5-TILTLOCK-WHEEL-1	1
37	204051733	X5-TILT-STOPPER-BLADE	1
38	303010435	COMBINATION-M4X8	2
39	204051744	TILTANSCHLAG	1
40	308020073	BELT-HTD-3M-462-9	1
41	303010162	INBUS-ZYLINDERKOPF-M4X20	3
42	304031353	X5-GEARWHEEL_HTD-3MX60-TILT	1
43	207011465	X5-TILT-BEARING-ASSY2	1
44	304031352	X5-SHAFT-TILT-NEW	1
45	303020056	U-SCHEIBE-M4-8	3
46	303020029	GLP-10019	3
47	303010316	STOPMUTTER-M4	2
48	204051956	X5-TILT-TENS-MOUNTING-BRACKET-L	1
49	303010301	CHC-M4X25	1
50	304031362	ZAHNKRANZ-12Z-X5	1
51	304031543	HALL-HOLDER-TILT-X5-NEW	1
52	303010441	KREUZSCHLITZ-LINSENKOPF-M3X8	2
53	306060142	FEED-PCB-ALL	1
54	303010440	KREUZSCHLITZ-LINSENKOPF-M3X6	2
55	303010438	COMBINATION-M3X8	2
56	303010412	KREUZSCHLITZ-SENKKOPF-M3X6	2
57	204051954	X5-TILT-MOTOR-SHEET-TOP	1
58	204051955	X5-TILT-MOTOR-SHEET-BOTTOM	1
59	307050039	17HC6002-10N	1
60	315006138	Universal_CRMX_V10	1
61	204051858	X5-YOKE-MAINFRAME-BLH	1



POS	CODE	NAME	QUANTITY
15.1	313010328	COMBINATION_M4X10	5
15.2	304031492	X5-PAN-SICHERUNG	1
15.3	304031369	X5-PAN-BEARINGBLOCK-SPACER	1
15.4	207011546	X5-PAN-BEARINGBLOCK-ASSEMBLY	1
15.5	204051846	X5-MOTORBRACKET-PAN-NEW	1
15.6	303010200	CHC_M4X30	1
15.7	303020056	U-SCHEIBE-M4-8	2
15.8	204051847	X5-PAN-NEW	2
15.9	204051845	X5-ARM-MAINFRAME-HALL-NEW	1
15.10	304031365	X5-PAN-ANSCHLAGSPACER	1
15.11	306060141	PAN-HALL-PCB	1
15.12	303010195	INBUS-M6X8	1
15.13	308000110	O-RING	1
15.14	308020072	HTD-3M-255-9	1
15.15	307050039	17HC6002-10N	1
15.16	204051848	X5-MOTORSCREWHOLDER-PAN-NEW	1
15.17	304031377	X5-SPACER-ANDRUCKROLLE	2
15.18	207011466	X5-ANDRUCKROLLE-PAN-ASSEMBLY	2
15.19	304031366	X5-PAN-FEED-PCB-HOLDER	1
15.20	315006092	PAN-FEED-PCBA-X5	1
15.21	303010193	KREUZSCHLITZ-LINSENKOPF-M5X16	2
15.22	304031362	ZAHNKRANZ-12Z-X5	1
15.23	303010245	MADENSCHRAUBE-M4X4	2
15.24	303010396	MADENSCHRAUBE-M3X3	2

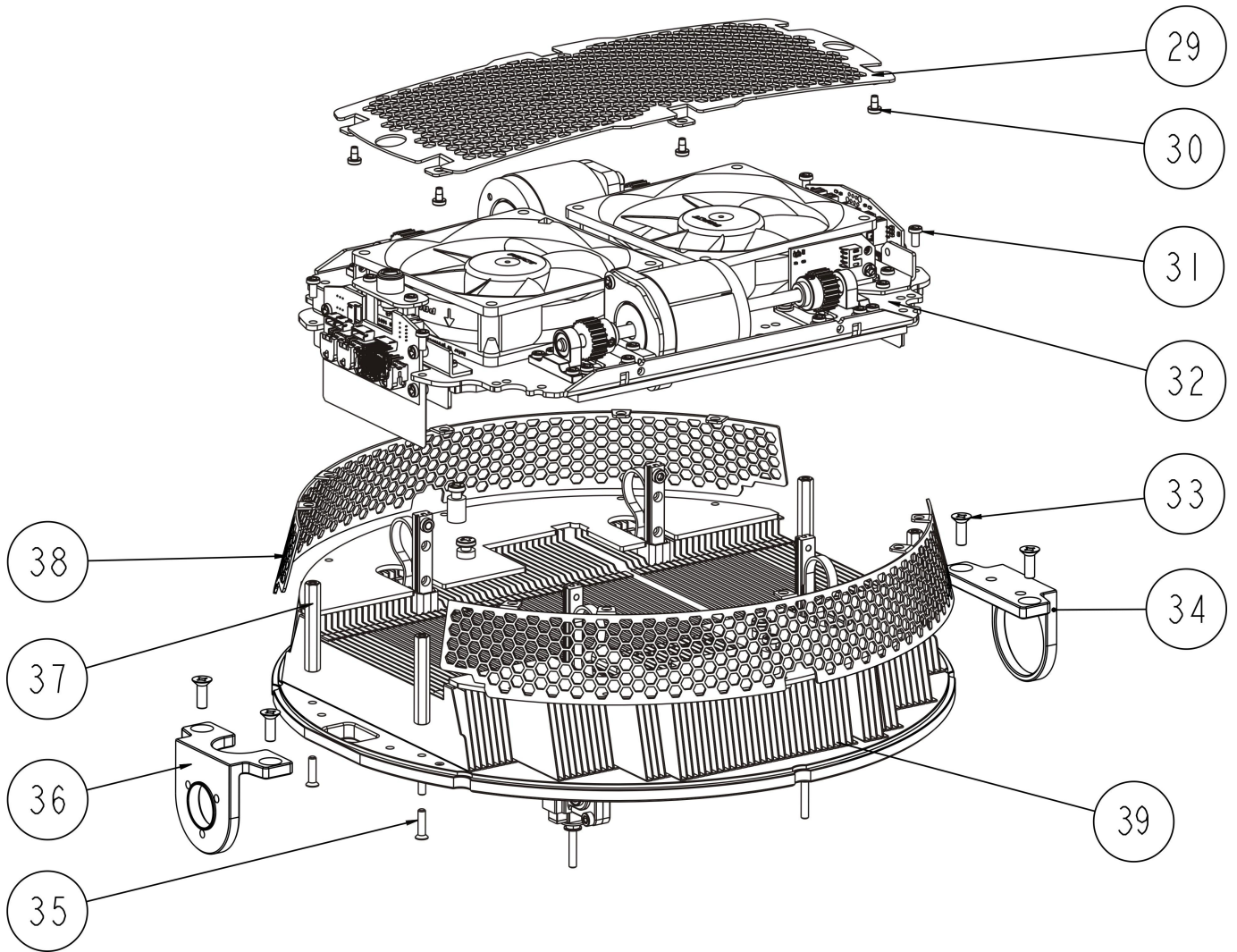
5. X5 HEAD





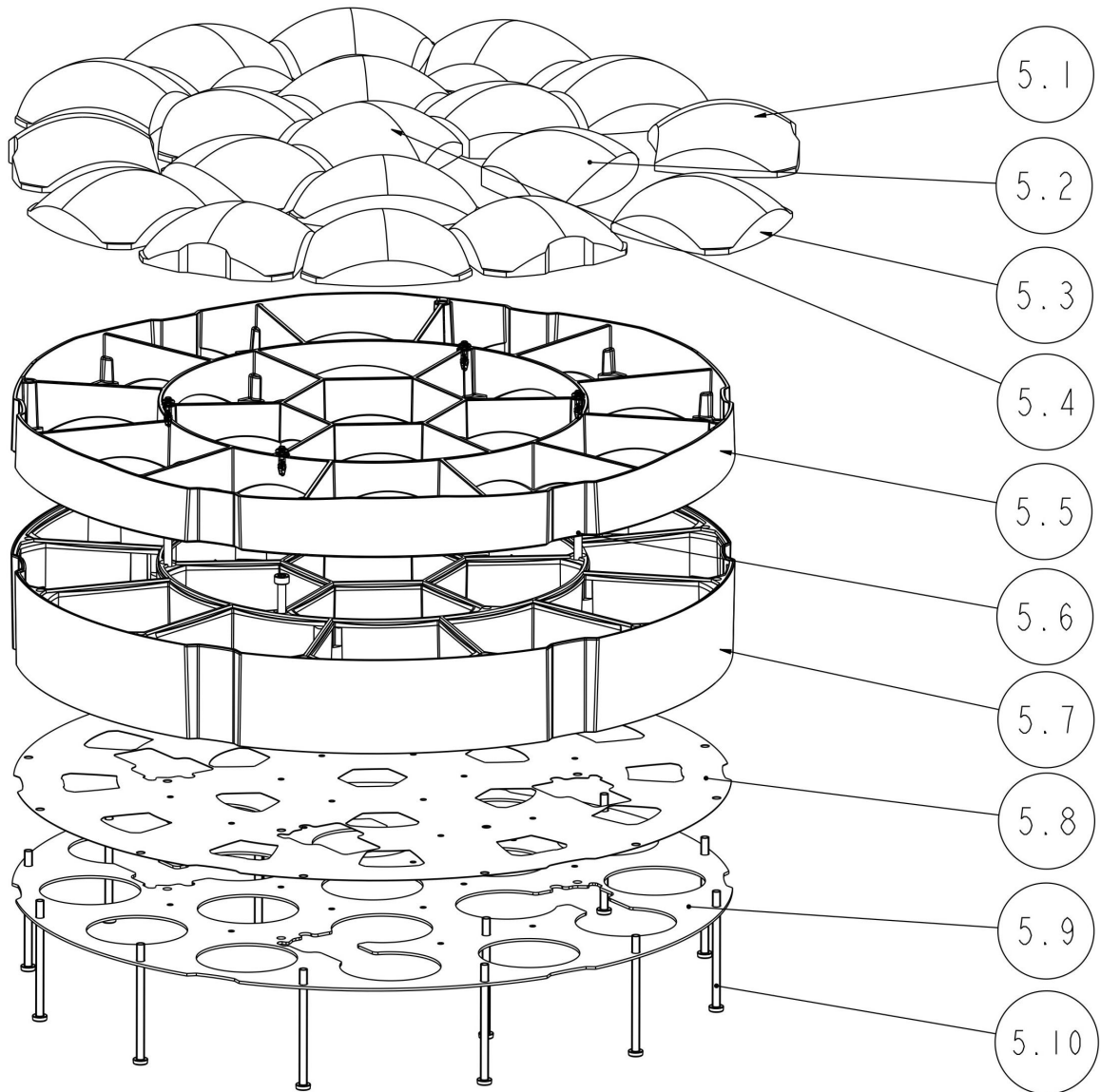
POS	CODE	NAME	QUANTITY
1	308010547	X5-HEAD-BEZEL	1
2	308010548	X5-HEAD-BACKCOVER-2	1
3	308000126	TRM-1_GROMMET	4
4	308011581	X5-EGG-CRATE-EXTENSION	1
5	207011403	X5-LENSHOLDER-TEST2	1
6	207011399	PRIMARY-OPTICS-X5	19
7	303010282	KREUZSCHLITZ-LINSENKOPF-M3X10-S	38
8	315006087	IMPRESSION_X5_LED-DRIVER_I_1_4_	1
9	315006090	IMPRESSION_X5_LED-DRIVER_O_1_3_	4
10	315006056	IMPRESSION_X5_MID_LED-RGBL_1_0	1
11	315006055	IMPRESSION_X5_FIRST-RING-RGBL_1	2
12	315006057	IMPRESSION_X5_SECOND-RING-RGBL_	4
13	303010412	KREUZSCHLITZ-SENKKOPF-M3X6	20
14	304031322	ACCESSORY-PIN	4
15	303010138	KREUZSCHLITZ-SENKKOPF-M3X12	4
16	303010456	INBUS-ZYLINDERKOPF-M3X10	16
17	207011396	X5-ZOOM-MAGNET	2
18	304031346	KREUZSCHLITZ-BLECHSCHRAUBE-3X5	6
19	207011397	X5-ZOOM-STOPPER	2
20	304031324	ACCESSORYHOLDER-X5	4
21	207011468	X5-ZOOM-BRACKET-NEW-ASSEMBLY	2
22	304031351	X5-TILT-AXIS-PSU	1
23	303010447	INBUS-ZYLINDERKOPF-M4X12	2
24	303020011	PLAIN WASHER Φ 3-7	8
25	303010315	STOPPER MUT M3	4
26	308000400	X5_SECOND-RING-RGBL-FOR-SINK	4
27	308000401	X5_FIRST-RING-RGBL-FOR-SINK	2
28	308000402	X5_MID_LED-RGBL-FOR-SINK	1

5.2 X5 HEAD



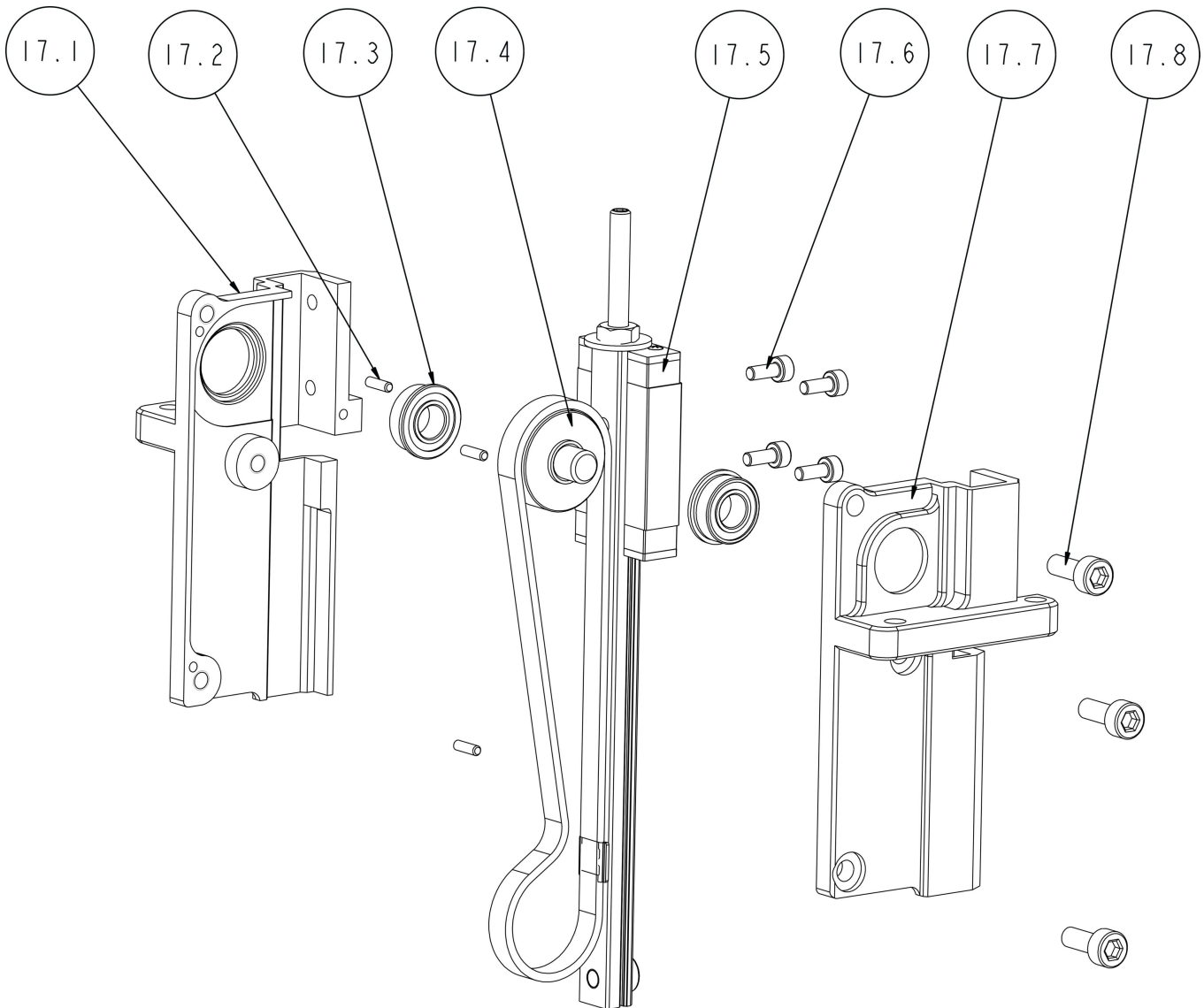
POS	CODE	NAME	QUANTITY
29	204051731	X5-FANGUARD-BACK	1
30	313010064	KREUZSCHLITZ-BLECHSCHRAUBE-3X6	6
31	303010440	KREUZSCHLITZ-LINSENKOPF-M3X6	4
32	207011418	X5-40W-FAN-ASSEMBLY	1
33	303010432	KREUZSCHLITZ-SENKKOPF-M4X12	4
34	304031350	X5-HEAD-YOKE-BRACKET-DUMMY	1
35	303010449	KREUZSCHLITZ-SENKKOPF-M3X12	4
36	304031347	X5-HEAD-YOKE-BRACKET	1
37	304031320	40W-SPACER-M3	4
38	204051732	X5-FANGUARD-OUT	2
39	304031380	X5-40W-HEATSINK	1

5.3 X5-LENSHOLDER-TEST2



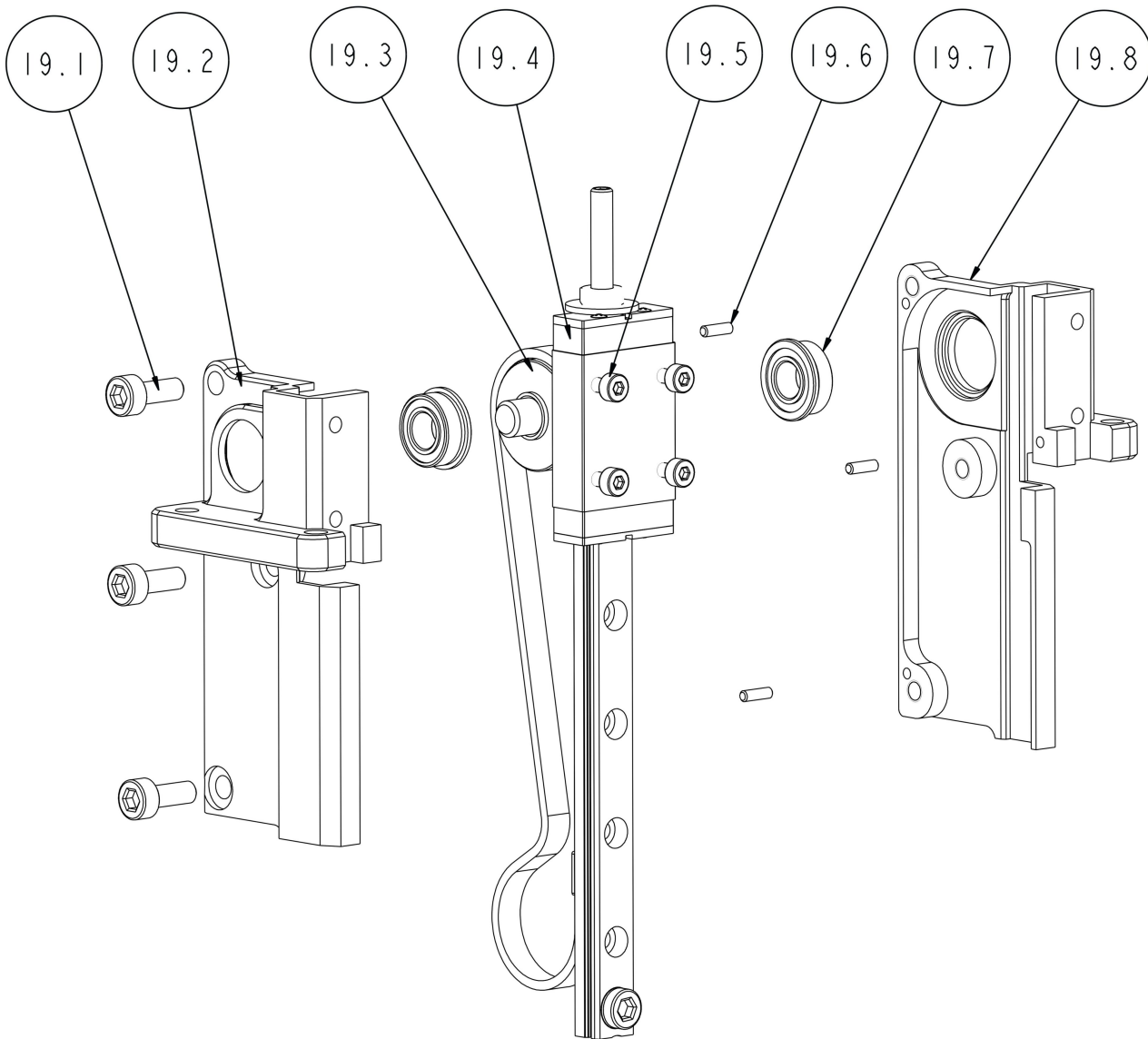
POS	CODE	NAME	QUANTITY
5.1	308030065	LENS-RING-2-CUT	6
5.2	308030064	LENS-RING1	6
5.3	308030066	LENS-RING-2-UNCUT	6
5.4	308030063	LENS-CENTER	1
5.5	308010545	LENSHOLDER-SURFACE-MODULE	1
5.6	313010269	INBUS-ZYLINDERKOPF-M3X28	4
5.7	308010546	LENSHOLDER-BACKSIDE	1
5.8	204051765	X5-LH-SCREEN-2	1
5.9	204051729	LENSHOLDER-SCREEN-2	1
5.10	313010285	KREUZSCHLITZ-LINSENKOPF-M3X45	14

5.4 X5-ZOOM-MAGNET



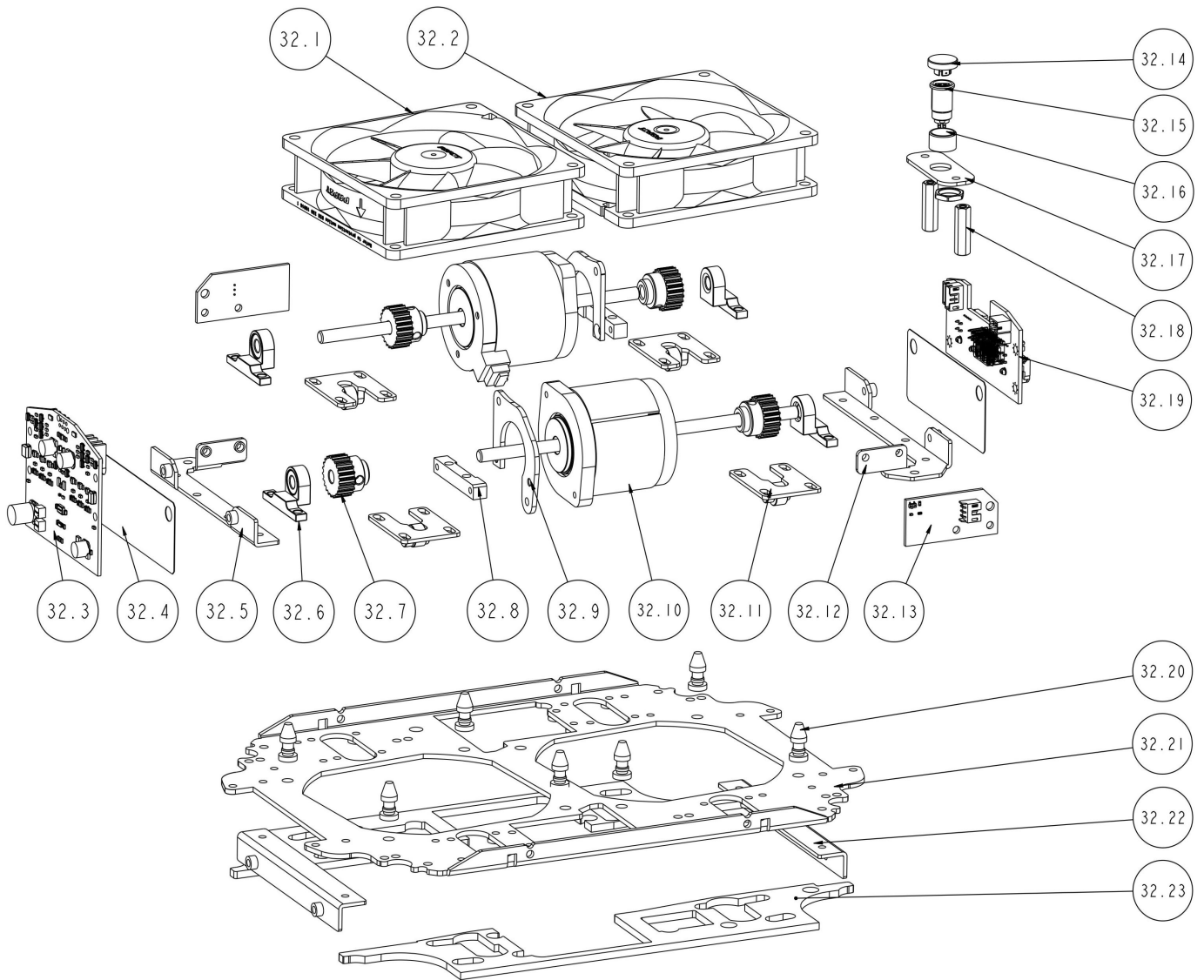
POS	CODE	NAME	QUANTITY
17.1	304031313	ZOOMBLOCKX1	1
17.2	304031318	ZOOM-PIN	3
17.3	304010010	MF105ZZ	2
17.4	207011469	ZOOM-GEAR-SHAFT-MODULE	1
17.5	207011470	X5-ZOOM-GUIDE-ASSEMBLY-1	1
17.6	303010185	INBUS-ZYLINDERKOPF-M2X5	4
17.7	304031315	ZOOMBLOCKX2	1
17.8	303020014	INBUS-ZYLINDERKOPF-M3X10	3

5.5 X5-ZOOM-STOPPER



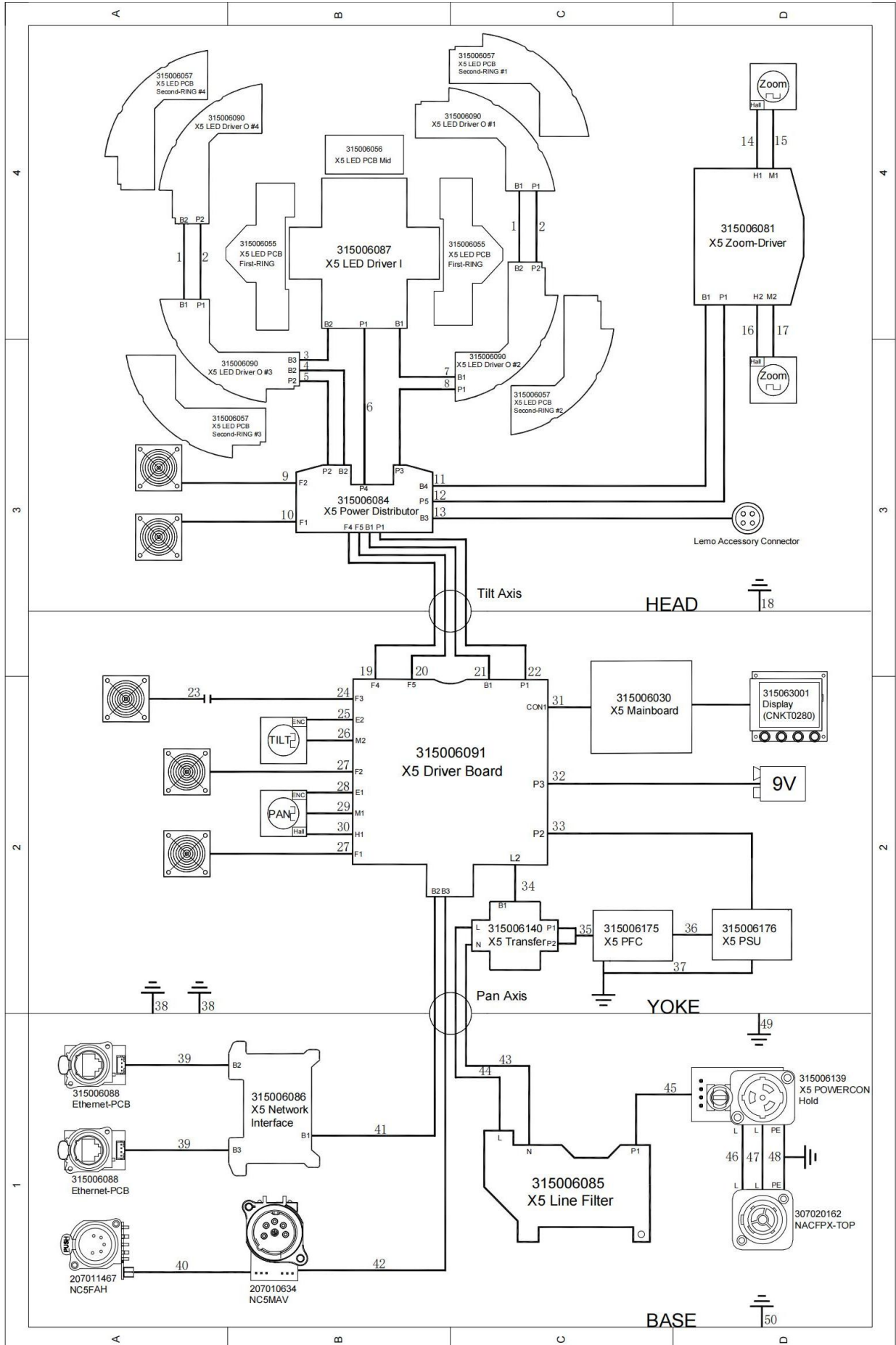
POS	CODE	NAME	QUANTITY
19.1	303020014	INBUS-ZYLINDERKOPF-M3X10	3
19.2	304031315	ZOOMBLOCKX2	1
19.3	207011469	ZOOM-GEAR-SHAFT-MODULE	1
19.4	207011471	X5-ZOOM-GUIDE-ASSEMBLY-2	1
19.5	303010185	INBUS-ZYLINDERKOPF-M2X5	4
19.6	304031318	ZOOM-PIN	3
19.7	304010010	MF105ZZ	2
19.8	304031313	ZOOMBLOCKX1	1

5.6 X5-40W-FAN-ASSEMBLY



POS	CODE	NAME	QUANTITY
32.1	307061217	ebmpapst 3414N-220mm	1
32.2	307061218	ebmpapst 3414N-210mm	1
32.3	315006081	IMPRESSION_X5_ZOOM-DRIVER	1
32.4	308040125	INSULATION-X5-HEAD	2
32.5	204051713	40W-FAN-BRACKET2	1
32.6	207011473	ZOOM-GEGENHALTER-MODULE	2
32.7	304031326	X5-ZOOM-DRIVE-PULLEY	4
32.8	304031325	WINKEL-ZOOM	2
32.9	204051712	ZOOM-MOTOR-HOLDER-X5	2
32.10	307051149	17HC6002-21N	2
32.11	207011595	ANDRUCKSCHLITTEN-ASSEMBLY	2
32.12	204051713	40W-FAN-BRACKET2	1
32.13	315006080	X5_ZOOM_HALL_PCB	2
32.14	308011582	ERA_0S_304_CLL-COVER	1
32.15	307020248	ERA_0S_304_CLL	1
32.16	304031329	LEMO-HUELSE	1
32.17	204051714	X5-ACCESS-CONNECTORHOLDER	1
32.18	304031321	SPACER-M3X26	2
32.19	315006084	X5_POWER-DISTRIBUTOR-PCB	1
32.20	308000113	BUB-35G	8
32.21	204051710	40W-FANHOLDER	1
32.22	204051711	40W-FAN-BRACKET	2
32.23	308040085	X5-HEAD-RUBBERGASKET	2

6. Wiring Diagram



POS	CODE	NAME	QUANTITY
1	307041300	X5 LED Driver O_B1 to LED Driver O_B2+50MM	2
2	307041298	X5 LED Driver O_P1 to LED Driver O_P2+70MM	2
3	307041346	X5 LED Driver O_B3 to LED Driver I_B2 +50MM	1
4	307041299	X5 Distributor_B2 to LED Driver O_B2+130MM	1
5	307041296	X5 Distributor_P2 to LED Driver O_P2+90MM	1
6	307041297	X5 Distributor_P4 to LED Driver I_P1+120MM	1
7	307041276	X5 LED Driver O_B1 to LED Driver I_B1+50MM	1
8	307041295	X5 Distributor_P3 to LED Driver O_P1+85MM	1
9	307061218	MF92252V1-1000C-G99+210MM	1
10	307061217	MF92252V1-1000C-G99+220MM	1
11	307041290	X5 Distributor_B4 to ZOOM Driver_B1 +365MM	1
12	307041289	X5 Distributor_P5 to ZOOM Driver_P1 +365MM	1
13	307041303	X5 Distributor_B3 to Lemo AC +60MM	1
14	307041294	X5 ZOOM Driver_H1 to ZOOM Hall_H1+75MM	1
15	307041293	X5 ZOOM Driver_M1 to ZOOM Motor+240MM	1
16	307041292	X5 ZOOM Driver_H2 to ZOOM Hall_H1+320MM	1
17	307041291	X5 ZOOM Driver_M2 to ZOOM Motor+295MM	1
18	307041301	X5 Arm to Head PE +250MM	1
19	307041288	X5 Driver board_F4 to DIstributor_F4+190MM	1
20	307041304	X5 Driver board_F5 to DIstributor_F5+190MM	1
21	307041287	X5 Driver board_B1 to Distributor_B1 190MM	1
22	307041286	X5 Driver board_P1 to Distributor_P1 280MM	1
23	307061209	X5 PSU FAN+50MM	1
24	307041277	X5 Driver board_F3 to PSU FAN+415MM	1
25	307041283	X5 Driver board_E2 to Tilt ENC_P3+145MM	1
26	307041282	X5 Driver board_M2 to Tilt Motor+195MM	1
27	307061204	X5 Driver board_F12 to FAN+90MM	2
28	307041281	X5 Driver board_E1 to PAN ENC_P1+250MM	1
29	307041280	X5 Driver board_M1 to PAN Motor+210MM	1
30	307041279	X5 Driver board_B1 to PAN Hall+320MM	1
31	307041285	X5 Driver board_CON1 to Main board_CON1+70MM	1
32	307041278	X5 Driver board_P3 to Battery+190MM	1
33	307041351	X5 PSU to Driver board_P2 +700MM	1

34	307041273	X5 Transfer_B1 to Driver board_L1+250MM	1
35	307041348	X5 Transfer_P1P2 to PFC_CON1 +120MM	1
36	307041349	X5 PFC_CON2 to PSU_CON2 +200MM	1
37	307041366	X5 PFC and PSU to ARM PE +125MM270MM	1
38	307041284	X5 Arm to side cover PE+150MM	2
39	307041268	X5 Network_B2B3 to Ethernet_B1+100MM	2
40	307041270	X5 DMX IN_P1 to DMX OUT+115MM	1
41	307041267	X5 Driver Board_B2 to Network_B1+460MM	1
42	307041269	X5 DMX IN_P2 to Driver board_B3+475MM	1
43	307041264	X5 Line Filter_N to Transfer_N +340MM	1
44	307041263	X5 Line Filter_L to Transfer_L +350MM	1
45	307041262	X5 POWERCON HOLD_P1 to Line-Filter_P1 AC LN+110MM	1
46	307041259	X5 POWERCON IN_L to POWERCON OUT_L+75MM	1
47	307041260	X5 POWERCON IN_N to POWERCON OUT_N+85MM	1
48	307041261	X5 POWERCON IN_PE to POWERCON OUT_PE+100110MM	1
49	307041266	X5 Bottom to Arm PE+330MM	1
50	307041265	X5 Bottom to Bottom cover PE +90MM	1