



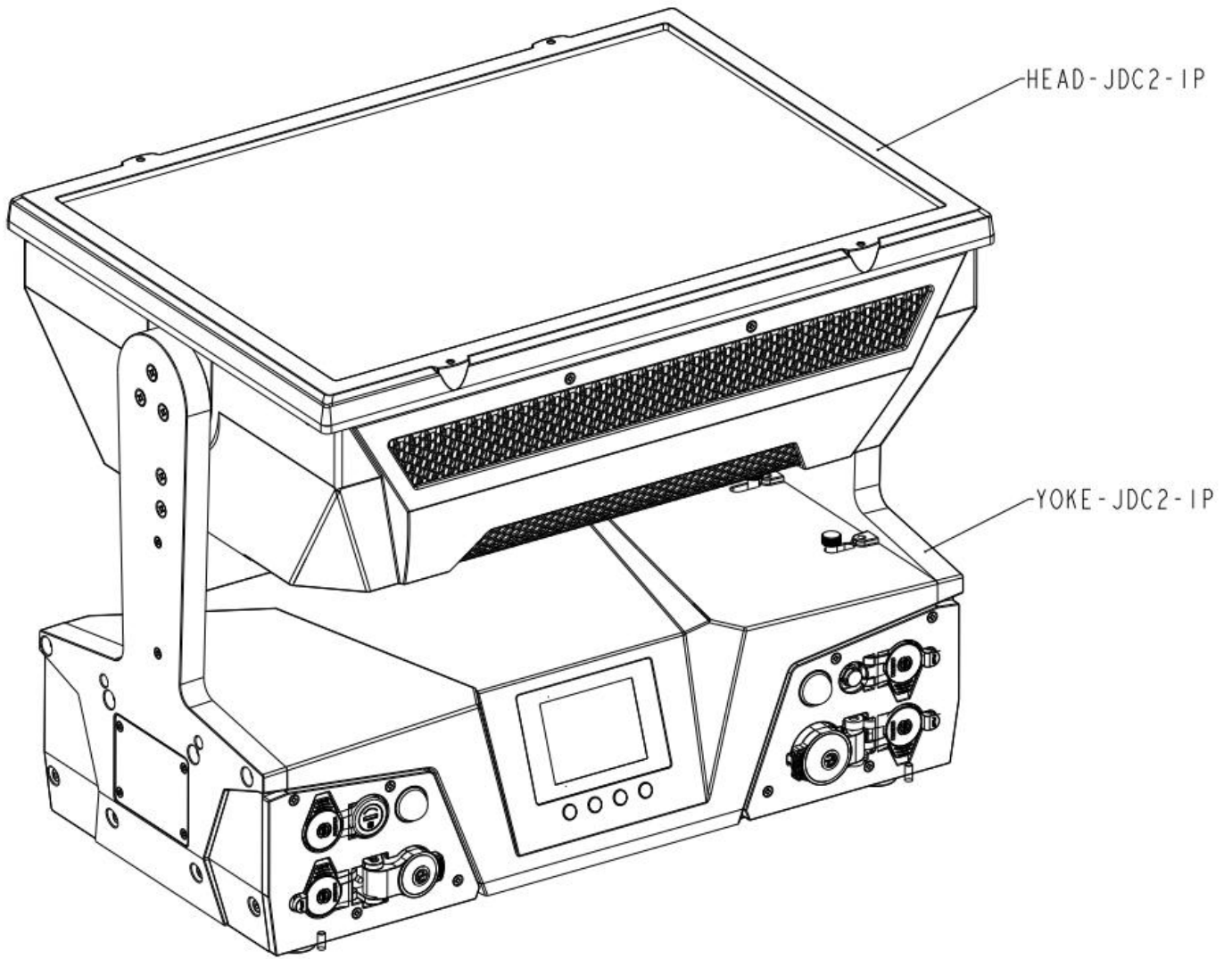
Technische Serviceanleitung /
Technical Service Manual
Rev1.1



e-mail : support@glp.de
web : <http://www.glp.de>

Log		
Date	Content	Version
May 31.,2024	1、 1.Update the log; 2、 SN list for new exploded view	Rev1.1

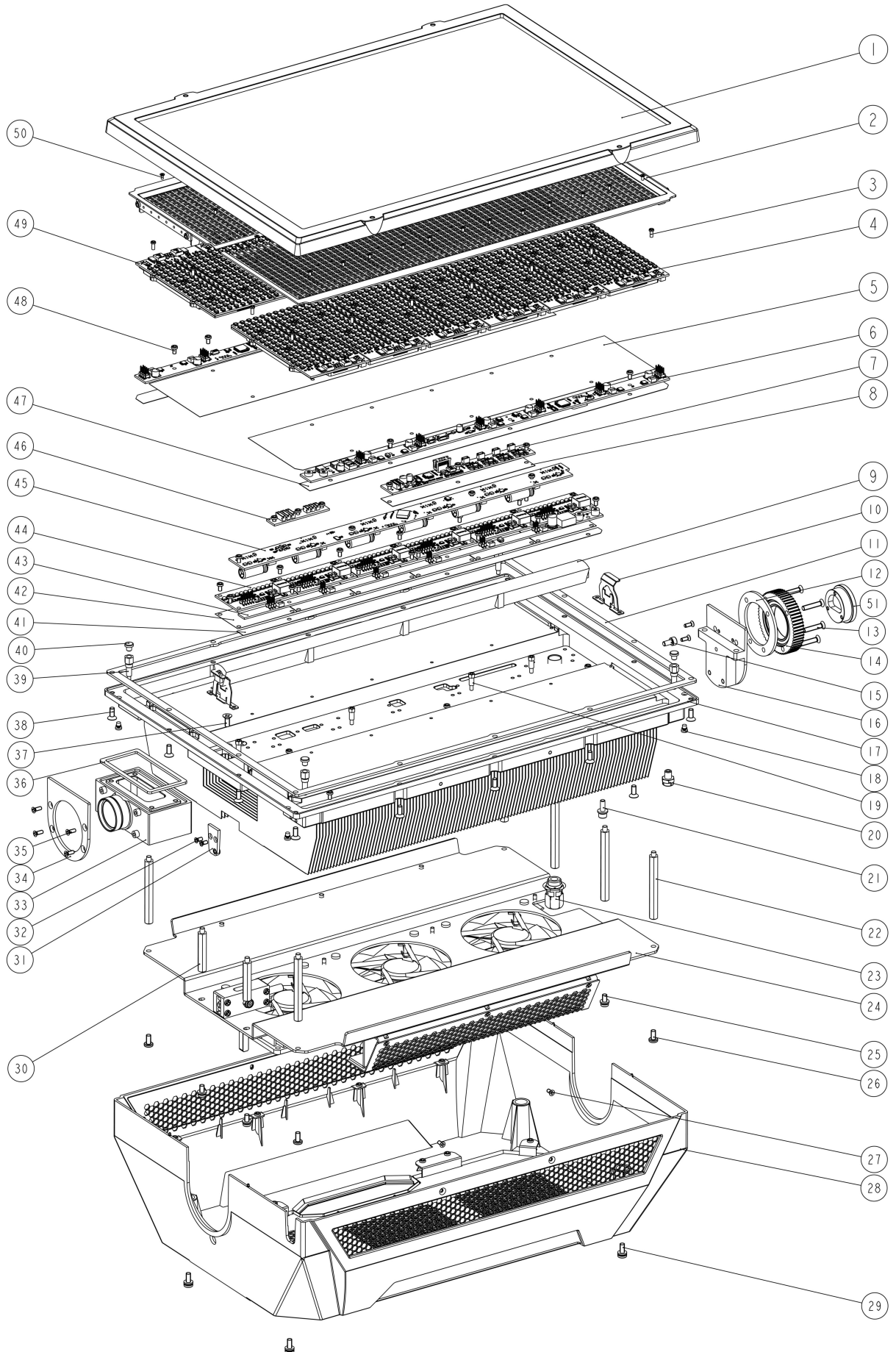
0. Overview



0.Overview

Pos.	Code	Name	Quantity
1	207011750	HEAD-JDC2-IP	1
2	207011751	YOKE-JDC2	1

1. HEAD-JDC2-IP

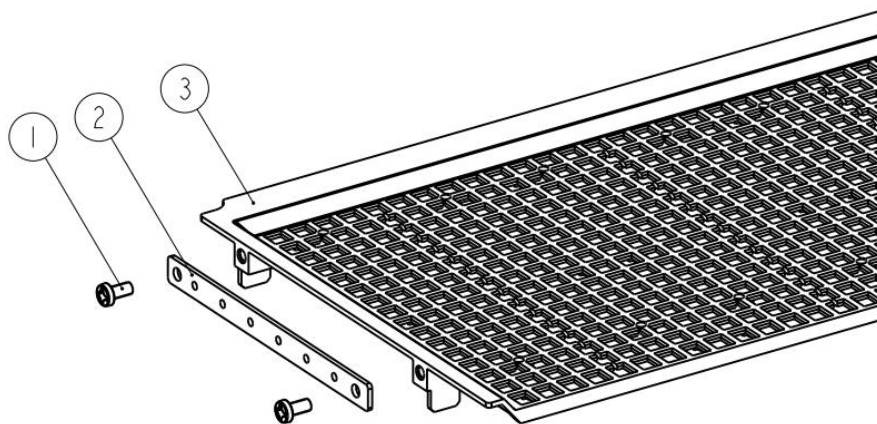


1.HEAD-JDC2-IP

POS	CODE	NAME	QUANTITY
1	207011746	HEAD-COVER-ASSEMBLY-JDC2	1
2	207011752	LEDPCBA-PLASTIC_COVER_ASSEMBLY	2
3	313010372	KREUZSCHLITZ-LINSENKOPF-M2_5X6	28
4	207011645	RGBPCB-ASM-TOP-JDC2-IP	1
5	308040278	JDC2-THERMAL-PADS-FOR-ADAPTER-P	2
6	315006434	JDC2_LED-DRIVER_RGB	2
7	315006447	JDC2_FANDRIVER-G0-LP	1
8	308040290	HEAD_FAN_DRIVE_BOARD_COOLING_PA	1
9	308030108	JDC2-IP-LIGHT-GUIDER	1
10	204052097	LENS-HOLDER-JDC2-IP	2
11	308040265	TOP-COVER-SILICONE-PAD-JDC2	1
12	204052113	JDC-IP-GEAR-SPACER	1
13	313010373	KREUZSCHLITZ-SENKKOPF-M4X20	4
14	304031690	JDC2-IP_PULLEY_60-3M-9_OPTIBELT	1
15	313010005	CHC_M4X10	1
16	304031692	JDC2-HEAD-FIXED-GEAR-MACHINING	1
17	304031685	HEATSINK-JDC2-IP	1
18	308040059	CS-BASE-FAN-RUBBER-10	4
19	304031688	SPACER_M3_10_NL	4
20	313010320	RN-AV-PC-M6P10-B001	1
21	313010371	Screws-hex-M4X12	2
22	304031693	SPACER_M4-67	2
23	308011610	CABLEGLAND-M12X1.5	1
24	207011646	JDC2-IP-FAN-ASSEMBLY	1
25	313010378	COMBINATION-M4X8	4
26	313010364	KREUZSCHLITZ-LINSENKOPF-M4X8	4
27	313010374	KREUZSCHLITZ-SENKKOPF-M3X6	4
28	207011692	COVER-BOT-JDC2-IP	1
29	313010352	KREUZSCHLITZ-LINSENKOPF-M4X12	4
30	304031702	SPACER_M4-37	2
31	207011753	JDC2_HEAD_MAGNET_ASSEMBLY	1
32	313010374	KREUZSCHLITZ-SENKKOPF-M3X6	2
33	304031687	JDC_IP-HEAD_SIDE_PLATE_LEFT	1
34	204052203	JDC2-IP-LEFT-SIDE-COVER-METAL-New	1
35	313010412	KREUZSCHLITZ-SENKKOPF-M3X6	4
36	308040266	JDC2-LINE-SEAL-2/SHORE80	1
37	303010137	KREUZSCHLITZ-SENKKOPF-M4X10	4
38	313010153	KREUZSCHLITZ-SENKKOPF-M4X10	14
39	304031700	SPACER-M3-19_6	4
40	308040283	T-RUBBER-PLUG-X5IPBAR	4
41	308040270	INSULATING_SHEET	1
42	308040269	JDC2_GRAPHITE_THERMALLY_CONDUCT	6

43	315006480	JDC2_POWERINJECTOR_WHITE	1
44	315006481	JDC2_LED-PCB_WHITE	6
45	315006436	JDC2_LED-DRIVER_WHITE	1
46	315006482	JDC2_IP_SIGNAL-TRANSFER	1
47	308040267	LED-DRIVER_INSULATING_SHEET_2	2
48	303010133	KREUZSCHLITZ-LINSENKOPF-M3X5	8
49	207011667	RGBPCB-ASM-BOTTOM-JDC2-IP	1
50	313010382	M2X7	48
51	304031696	ROTATING-LIMIT-BLOCK-JDC2	1

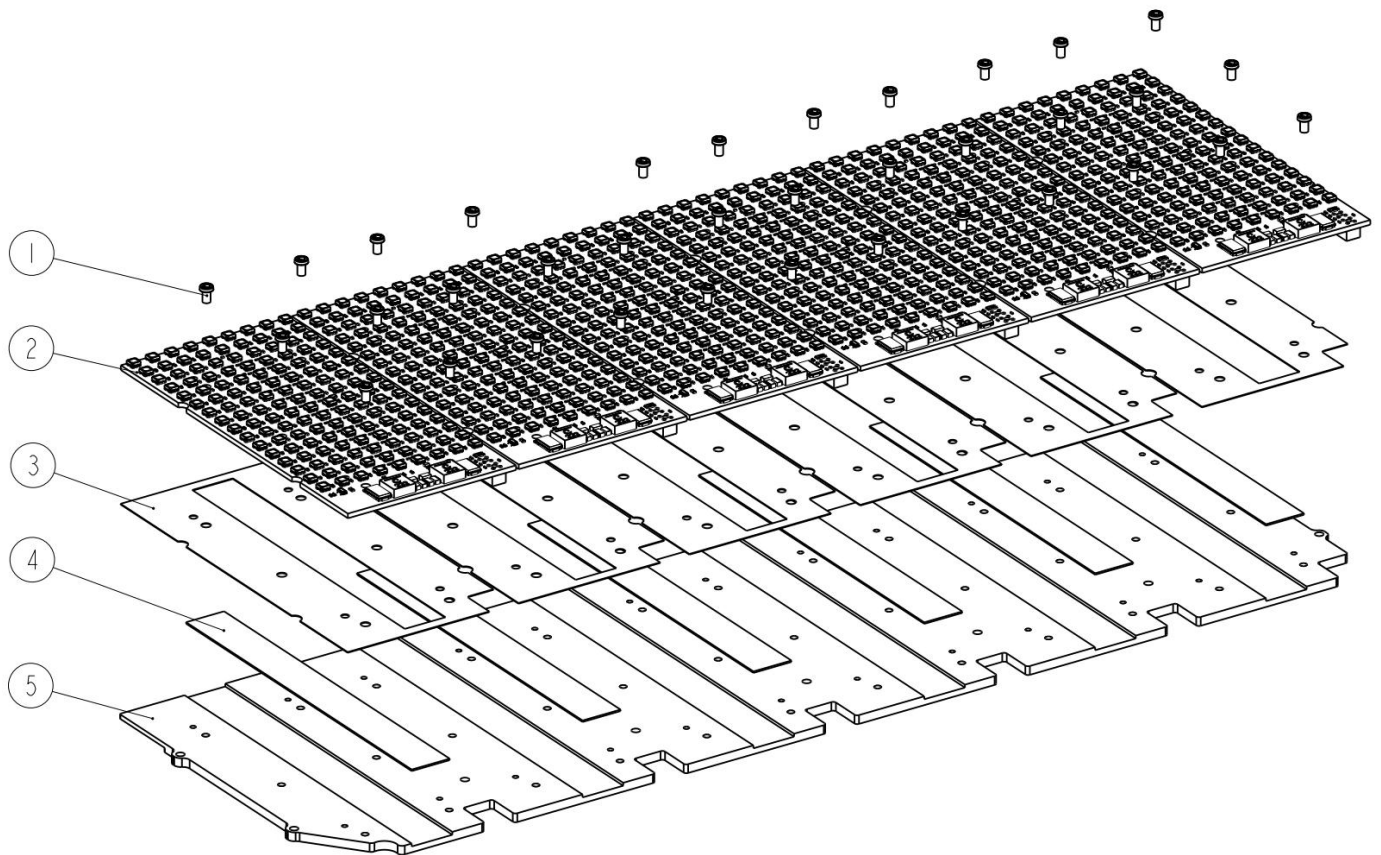
2.LEDPCBA-PLASTIC_COVER_ASSEMBLY



2.LEDPCBA-PLASTIC_COVER_ASSEMBLY

POS	CODE	NAME	QUANTITY
1	303010126	KREUZSCHLITZ-LINSENKOPF-M3X5	2
2	315000237	DESICCANT-FIXING-PLATE-JDC2	1
3	308011633	LEDPCBA-PLASTIC-COVER-JDC2-IP-NEW	1

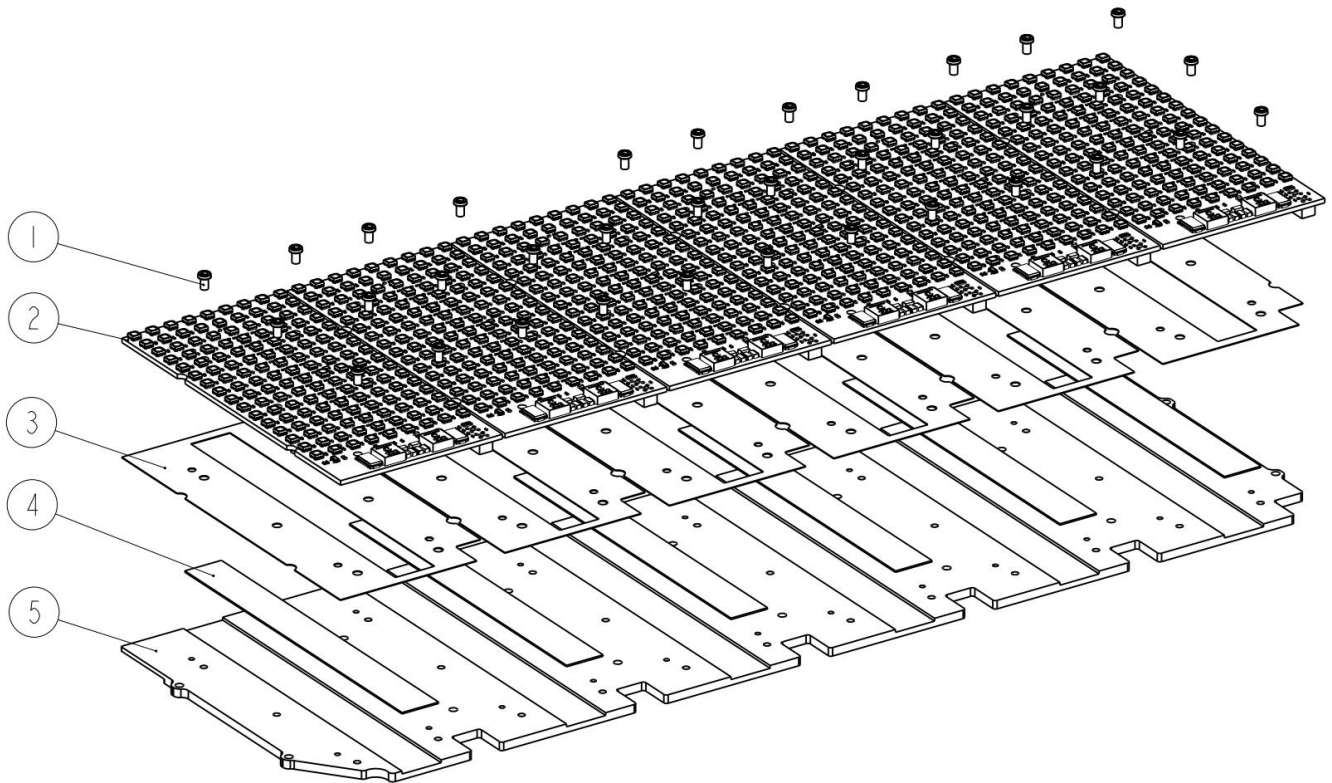
3.RGBPCB-ASM-BOTTOM-JDC2-IP



3.RGBPCB-ASM-BOTTOM-JDC2-IP

POS	CODE	NAME	QUANTITY
1	313010081	KREUZSCHLITZ-LINSENKOPF-M2_5X4	36
2	315006427	JDC2_LED-PCB_BOTTOM	6
3	308040262	HEATSINK-COMMECTOR-RED	6
4	308040264	THERMAL_CONDUCTIVE_SILICONE_SHE	6
5	304031686	ADAPTER-PLATE	1

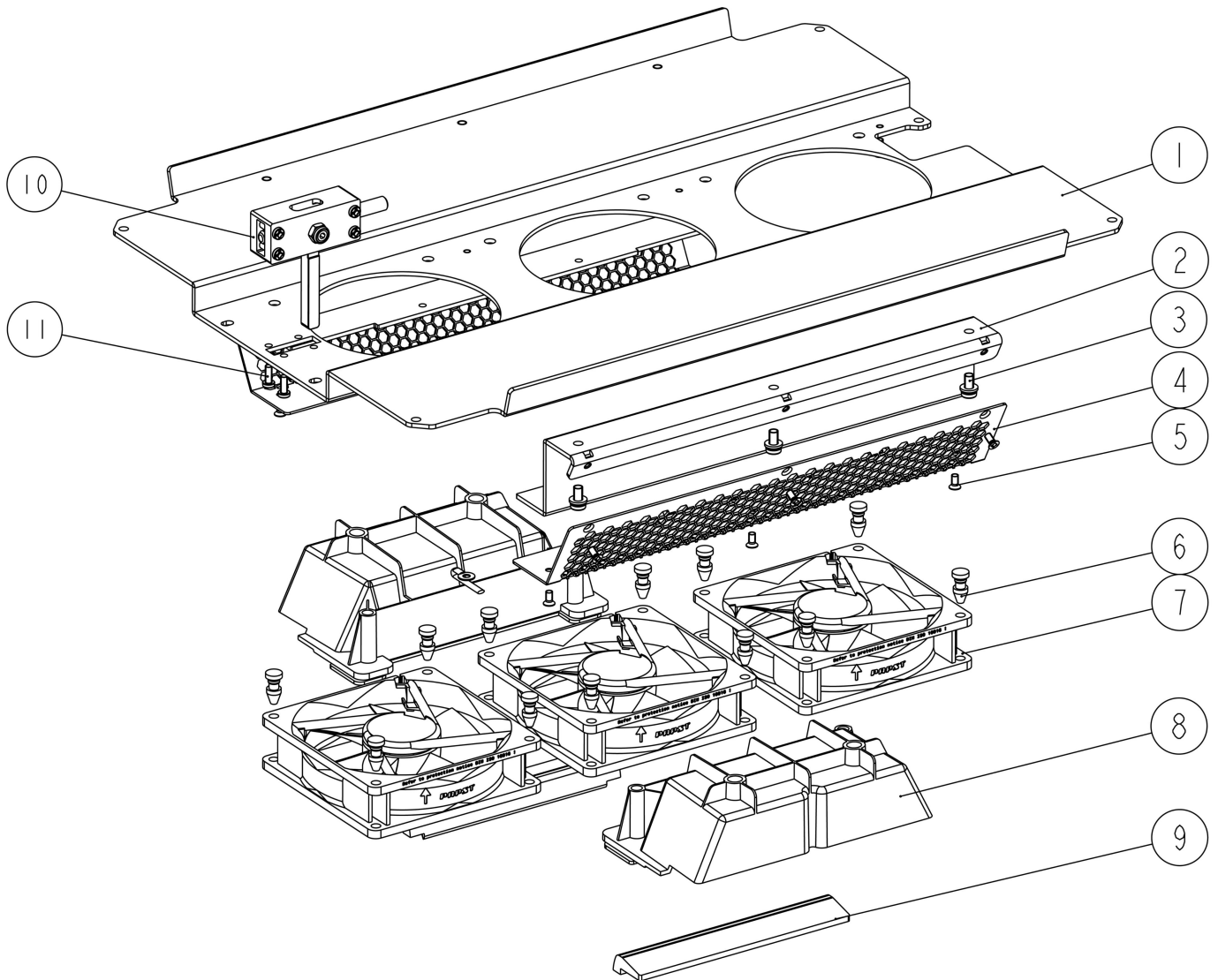
4.RGBPCB-ASM-TOP-JDC2-IP



4.RGBPCB-ASM-TOP-JDC2-IP

POS	CODE	NAME	QUANTITY
1	313010081	KREUZSCHLITZ-LINSENKOPF-M2_5X4	36
2	315006401	JDC2_LED-PCB_TOP	6
3	308040262	HEATSINK-COMMECTOR-RED	6
4	308040264	THERMAL_CONDUCTIVE_SILICONE_SHE	6
5	304031686	ADAPTER-PLATE	1

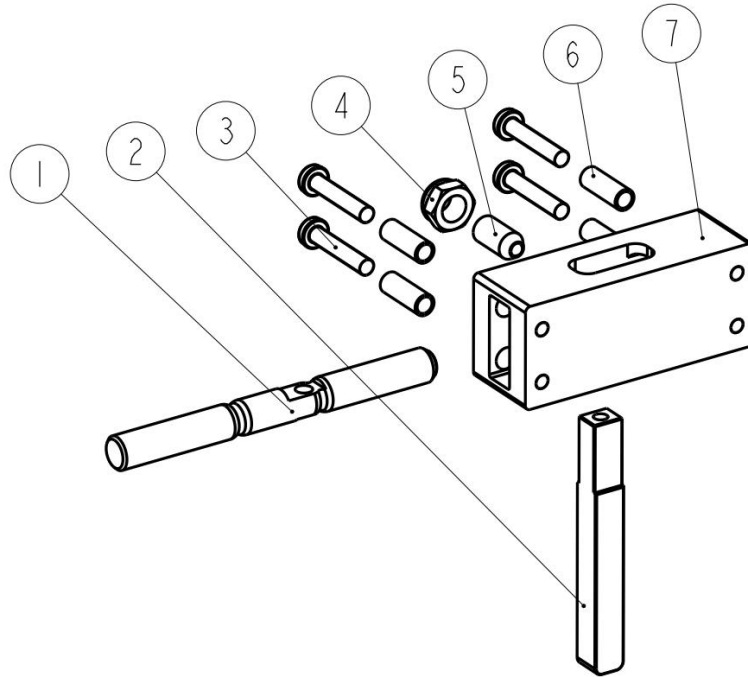
5.FAN-ASSEMBLY



5.FAN-ASSEMBLY

POS	CODE	NAME	QUANTITY
1	204052094	FAN-METAL-JDC2_IP	1
2	204052096	FAN-NET-HOLDER-JDC2-IP	2
3	313010378	COMBINATION-M4X8	6
4	204052095	JDC2-GITTER-2	2
5	313010374	KREUZSCHLITZ-SENKKOPF-M3X6	18
6	308000113	BUB-35G	12
7	307061256	JDC2 HEAD FAN+40MM	3
8	207011757	JDC2_HEAD_CARRYING_HANDLE_COVER ASSEMBLY	2
9	304031729	JDC2_HEAD_GRIPPER	2
10	207011691	HEAD-LOCK-ASSEMBLED-JDC2	1
11	313010137	KREUZSCHLITZ-LINSENKOPF-M3X8	4

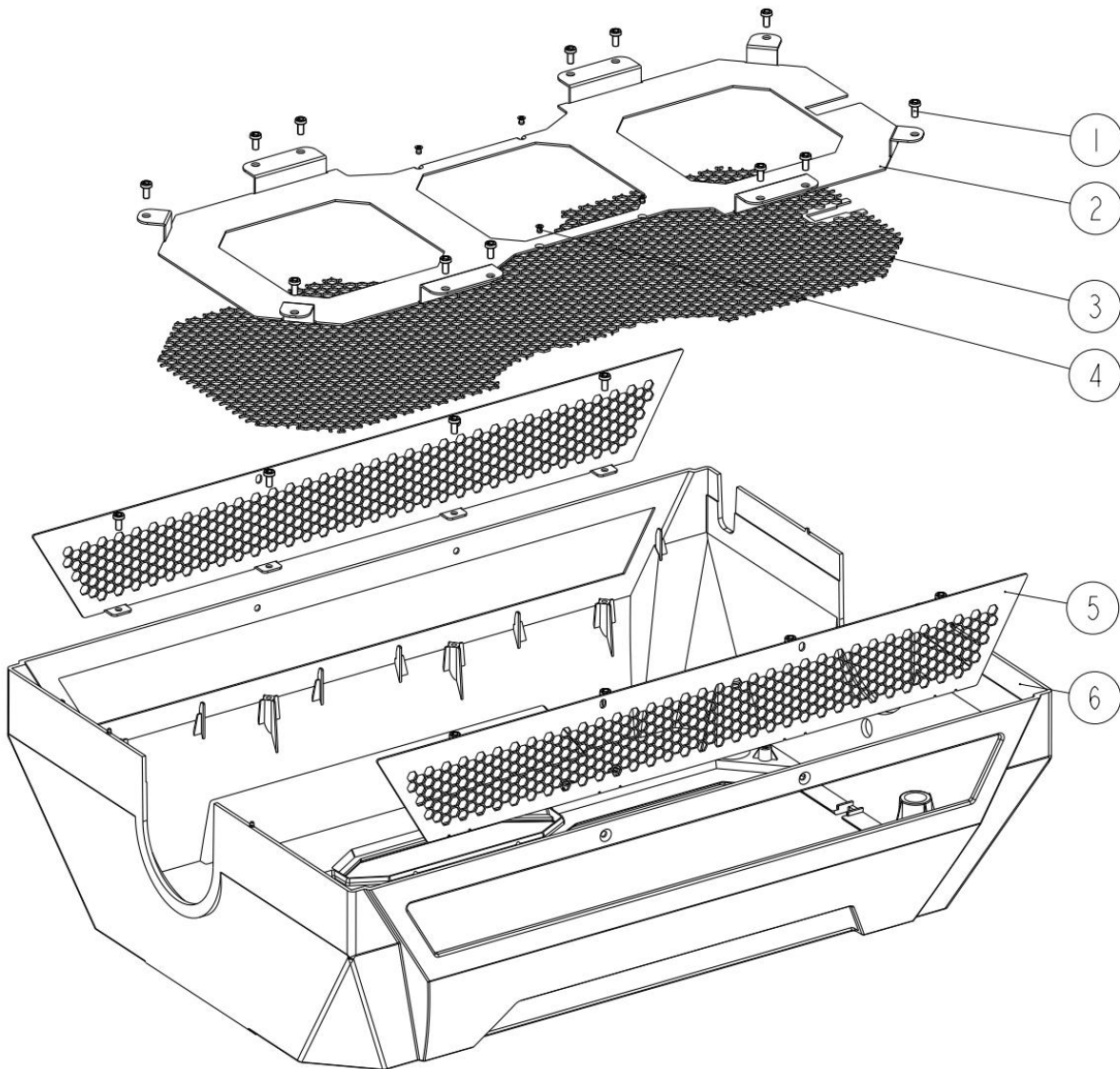
6.HEAD-LOCK-ASSEMBLED-JDC2



6.HEAD-LOCK-ASSEMBLED-JDC2

POS	CODE	NAME	QUANTITY
1	304031722	JDC2-IP-HEAD-LOCK-PIN	1
2	304031724	JDC2-HEAD-LOCK-PUSH-ROD	1
3	303010468	KREUZSCHLITZ-LINSENKOPF-M3X16	4
4	313010180	GLP-10166	1
5	304040002	M5X10	1
6	304031727	JDC2-SMALL-AXIS-11	4
7	304031723	JDC2-HEAD-LOCK-HOLDER	1

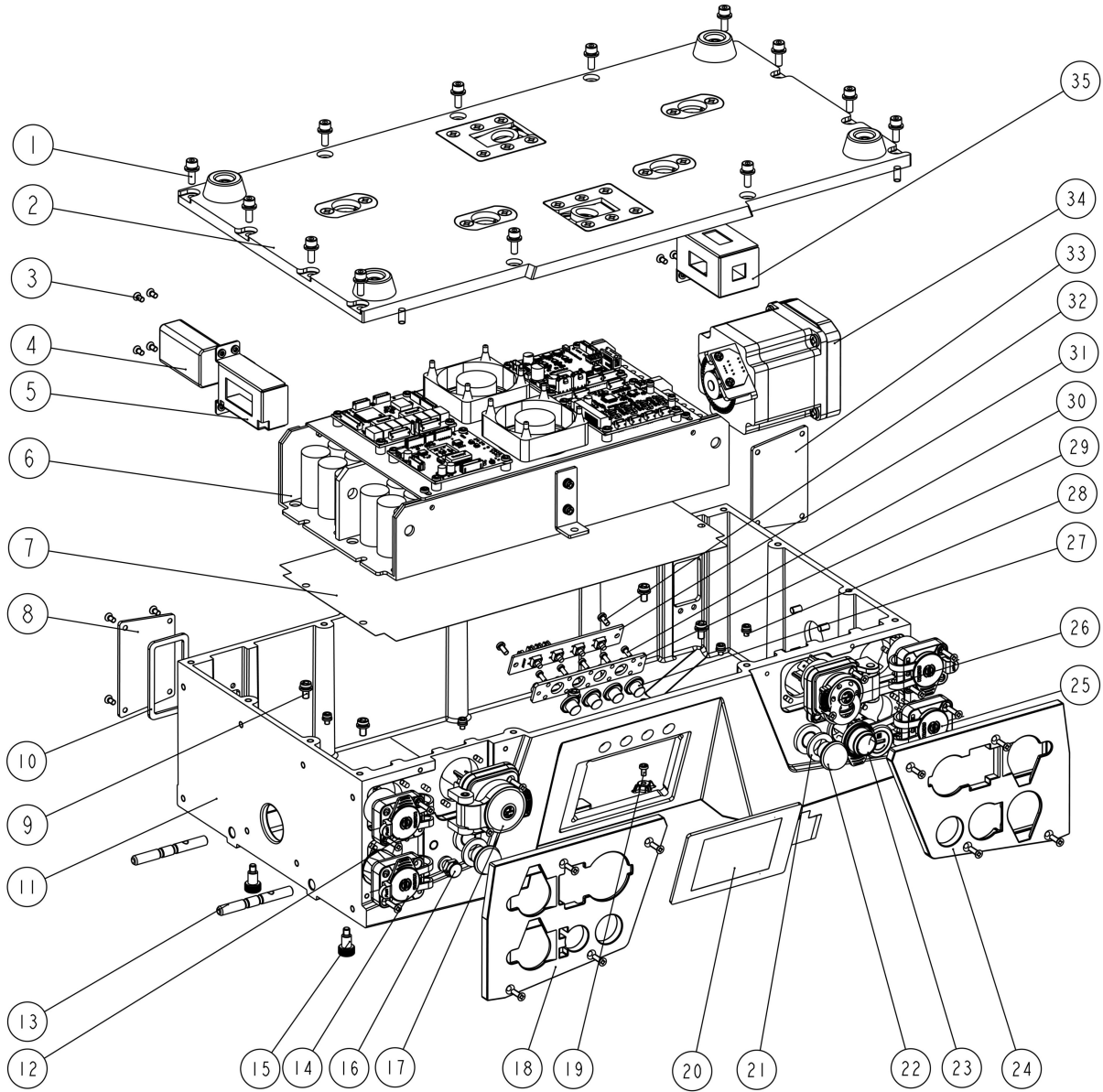
7.COVER-BOT-JDC2-IP



7.COVER-BOT-JDC2-IP

POS	CODE	NAME	QUANTITY
1	313010359	KREUZSCHLITZ-LINSENKOPF-M3X6	12
2	204052099	JDC2-HEAD-BACK-TOP-GITTER	1
3	204052100	JDC2-HEAD-BACK-GITTER	1
4	313010386	KREUZSCHLITZ-SENKKOPF-M2X3	4
5	204052101	JDC2-GITTER	2
6	308011607	COVER-BOT-JDC2-IP_NEW	1

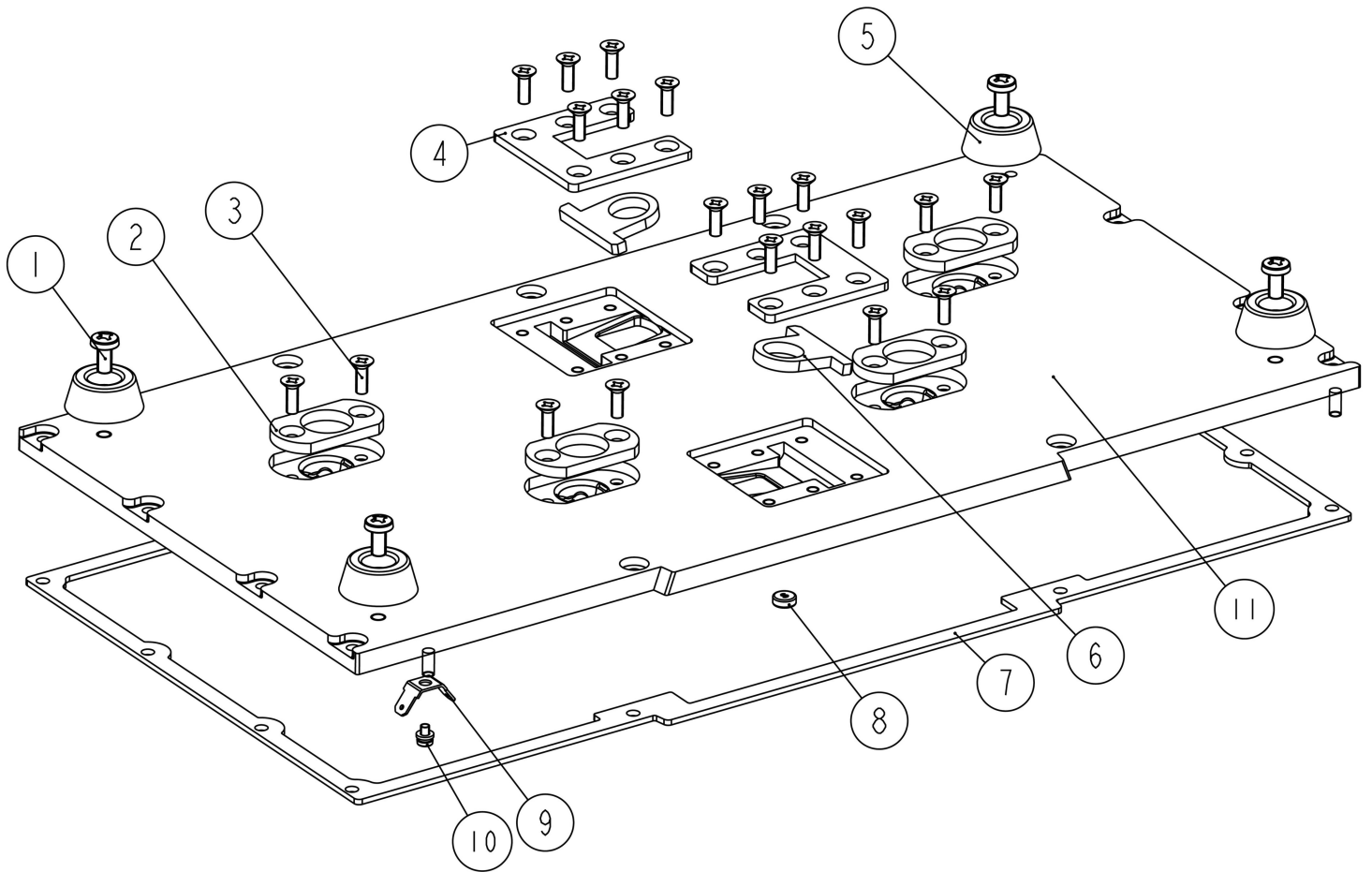
8.YOKE-JDC2



8.YOKE-JDC2

POS	CODE	NAME	QUANTITY
1	313010128	DIN-912-M4X12	20
2	304031679	BOTTOM-COVER-JDC2_IP	1
3	313010169	KREUZSCHLITZ-SENKKOPF-M3X6	16
4	306070006	GLP-10396-BATTERY	1
5	204052109	BATTERY-HOLDER-JDC2	1
6	207011641	BOTTOM-PCB-ASSEMBLY	1
7	308040276	THERMAL-PSU-JDC2	1
8	204052108	BATTERY-METAL-JDC2IP	1
9	303010435	COMBINATION-M4X8	5
10	308040277	RUBBER-BATTERY-JDC2-IP	2
11	304031678	BASE-JDC2_IP	1
12	307020261	RRE8F-Z-016-0	2
13	304031721	JDC2-IP-YOKE-LOCK-PIN	2
14	315006465	JDC-2 IP_DMX_FEMALE	1
15	304031734	YOKE-LOCK-KNOPF-JDC2	2
16	313010320	RN-AV-PC-M6P10-B001	1
17	307020162	POWERCON-OUT/NAC3FPX-TOP	1
18	304031684	BASE-FACE-RIGHT-COVER	1
19	303010443	KREUZSCHLITZ-LINSENKOPF-M3X5	2
20	207011754	JDC2-IP DISPLAY ASSEMBLY	1
21	308040318	ANTENNA_WATERPROOF_GASKET_-JDC2	2
22	315086007	WIFI(Bluetooth)-YJF01.160.001.101A IPEX1	2
23	315083049	0031.2201	1
24	304031683	BASE-FACE-LEFT-COVER	
25	315006464	JDC-2 IP_DMX_PCB_MALE	1
26	307020158	POWERCON-IN/NAC3MPX-TOP	1
27	308040253	SILICONE-BUTTON-JDC2	4
28	303010519	COMBINATION-M3X5	2
29	204052111	JDC2-METAL-BUTTON_	1
30	303010165	KREUZSCHLITZ-LINSENKOPF-M2-5X6	10
31	315006424	X5MAXX_BUTTON_PCB	1
32	313010169	KREUZSCHLITZ-LINSENKOPF-M3X6	16
33	204052112	DESSICANT-METAL-JDC2IP	1
34	207011639	TILT-ASSEMBLY-STRIP-JDC2	1
35	204052110	MOISTURE-PROOF-BOX-JDC2-IP	1

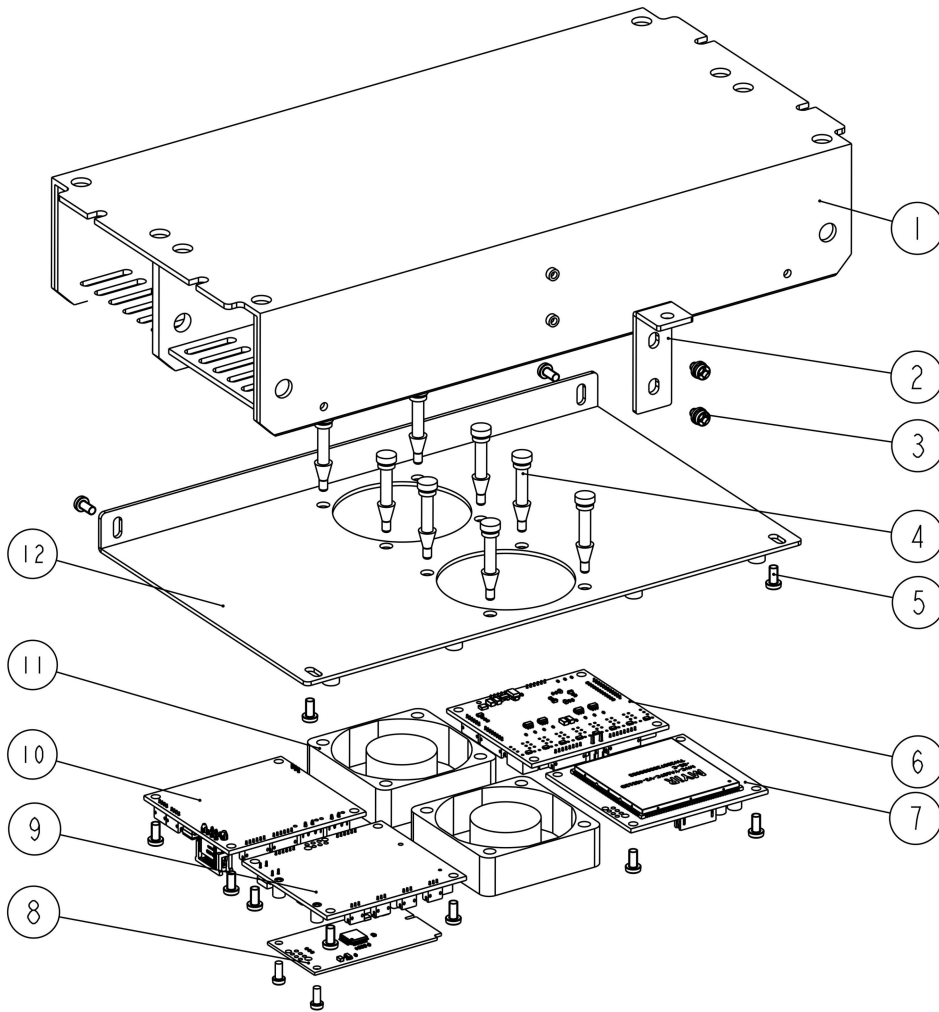
9.BOTTOM-COVER-ASSEMBLY



9.BOTTOM-COVER-ASSEMBLY

POS	CODE	NAME	QUANTITY
1	313010354	KREUZSCHLITZ-LINSENKOPF-M5X10	4
2	204052104	JDC2-CAMLOC-COMNECT	4
3	313010128	KREUZSCHLITZ-SENKKOPF-M4X12	20
4	204052105	JDC2-IP-BASE-ASSY	2
5	308000070	GUMMIFUSS	4
6	204052134	JDC2-SCHAEKELERSATZ-NEW	2
7	308040275	RUBBER-BASE-JDC2-IP	1
8	304031714	MAGNET-8X3	2
9	204050033	EARTHCONNECTOR-4-2	1
10	303010460	COMBINATION-M3X6	1
11	304031679	BOTTOM-COVER-JDC2_IP	1

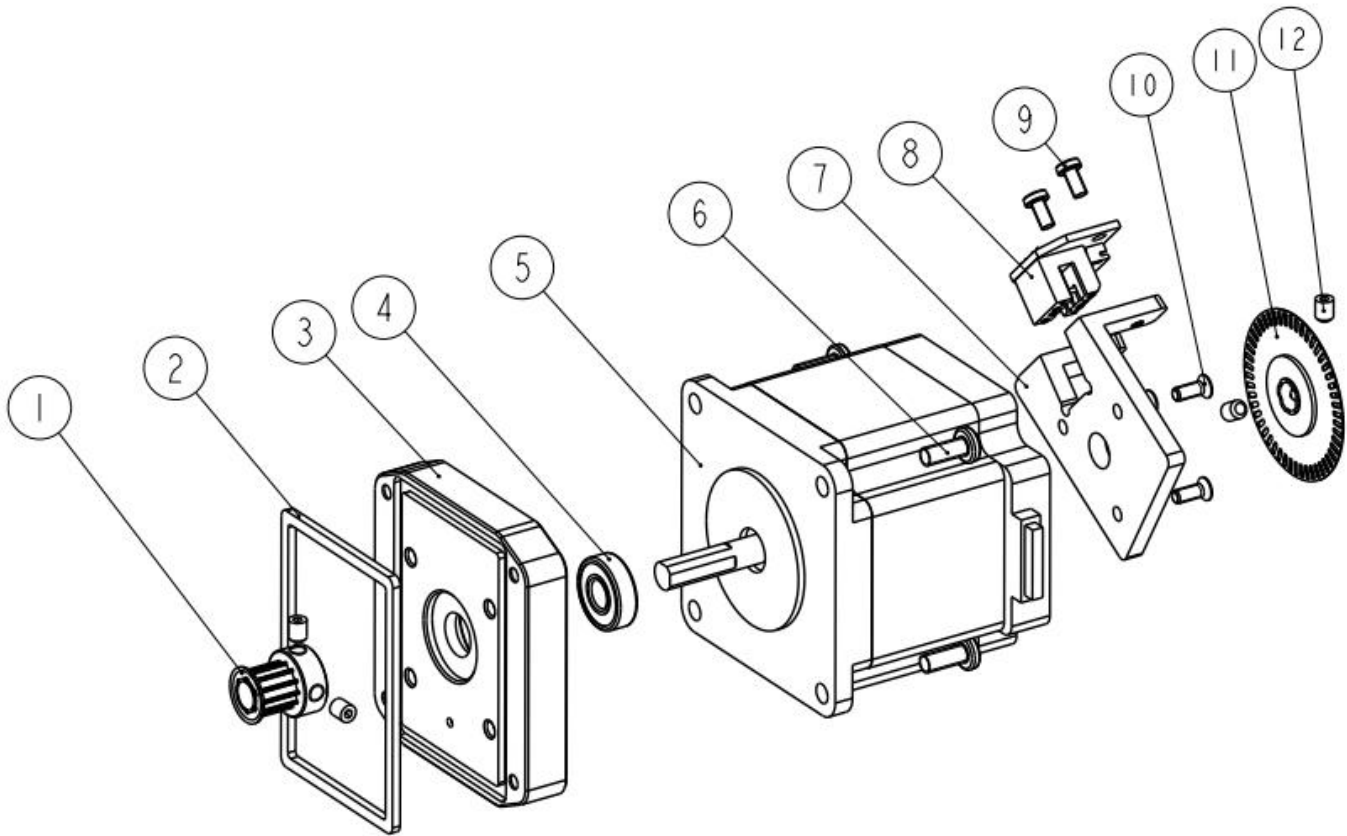
10.BOTTOM-PCB-ASSEMBLY



10.BOTTOM-PCB-ASSEMBLY

POS	CODE	NAME	QUANTITY
1	315006423	BLH1500W245A-4824_0001_ASM	1
2	204052127	POWER-SUPPLY-FASTENER-JDC2	1
3	303010519	COMBINATION-M3X5	2
4	308000090	BUB-65G	8
5	303010460	KREUZSCHLITZ-LINSENKOPF-M3X6	4
6	315006431	UNIVERSAL_ETHERNETSWI_2023-9-12	1
7	315006432	UNIVERSAL_VIDEOINTERFACE_09-19	1
8	315006138	GLP_UNIVERSAL_CRMX-EXTENSION_1_	1
9	315006348	UNIVERSAL_FANDRIVER-G0-LP_1_2_2	1
10	315006498	GLP-13863	1
11	307061257	SUNON_50X50X15_ORIG	2
12	204052106	BASE-PCB-METAL-JDC2	1

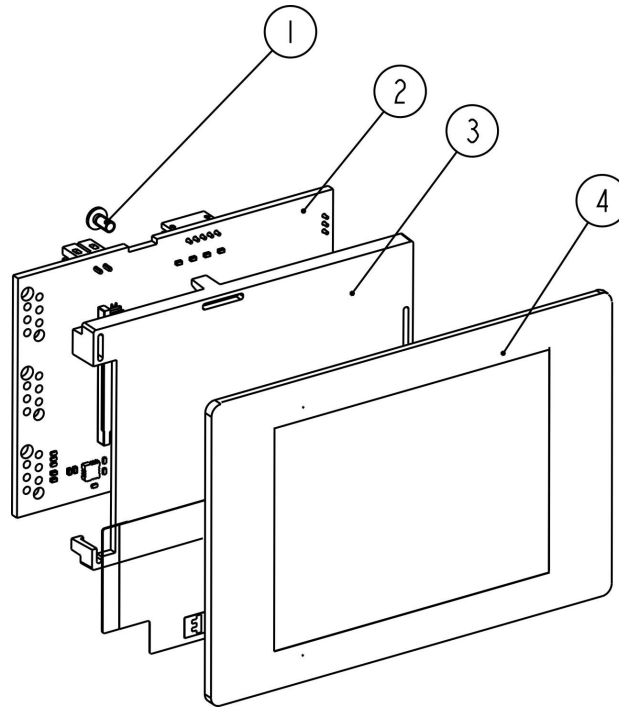
11.TILT-ASSEMBLY-STRIP-JDC2



11.TILT-ASSEMBLY-STRIP-JDC2

POS	CODE	NAME	QUANTITY
1	304031512	12Z-PAN-X5IPBAR	1
2	308040274	MOTOR-GASKET-JDCIP	1
3	304031695	MOTORHOLDER-TILT-STRIP-JDC2	1
4	308040151	OIL-SEAL-X5IPBAR	1
5	307051154	ML24HC8P3150__MOONS	1
6	303010125	4X10-1	4
7	304031510	COUNTING-WHEEL-MACHINING	1
8	315006339	X5 BBARS TILT-FB	1
9	303010118	KREUZSCHLITZ-LINSENKOPF-M3X6	2
10	303010140	KREUZSCHLITZ-SENKKOPF-M3X8	3
11	304031513	COUNTING-WHEEL-ASSEMBLY-X5IPBAR	1
12	313010016	DIN_913_SCREW_4X4	2

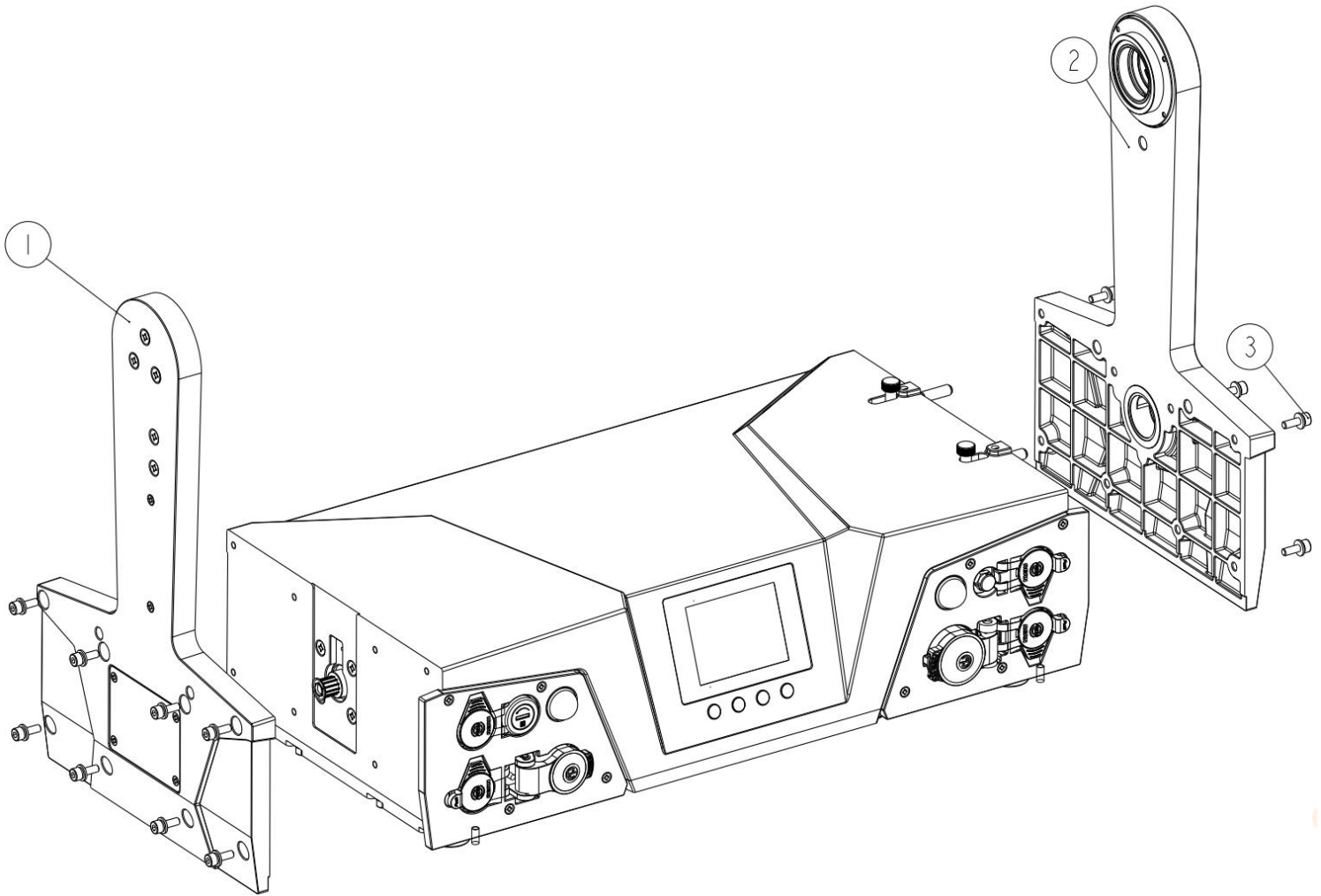
12.JDC2-IP DISPLAY ASSEMBLY



12.JDC2-IP DISPLAY ASSEMBLY

POS	CODE	NAME	QUANTITY
1	313010235	M2X4	1
2	315006444	UNIVERSAL_MAINBOARD-COMPACT-G4	1
3	308010531	GLP-13132	1
4	315063010	CNKT0280-20186A11	1

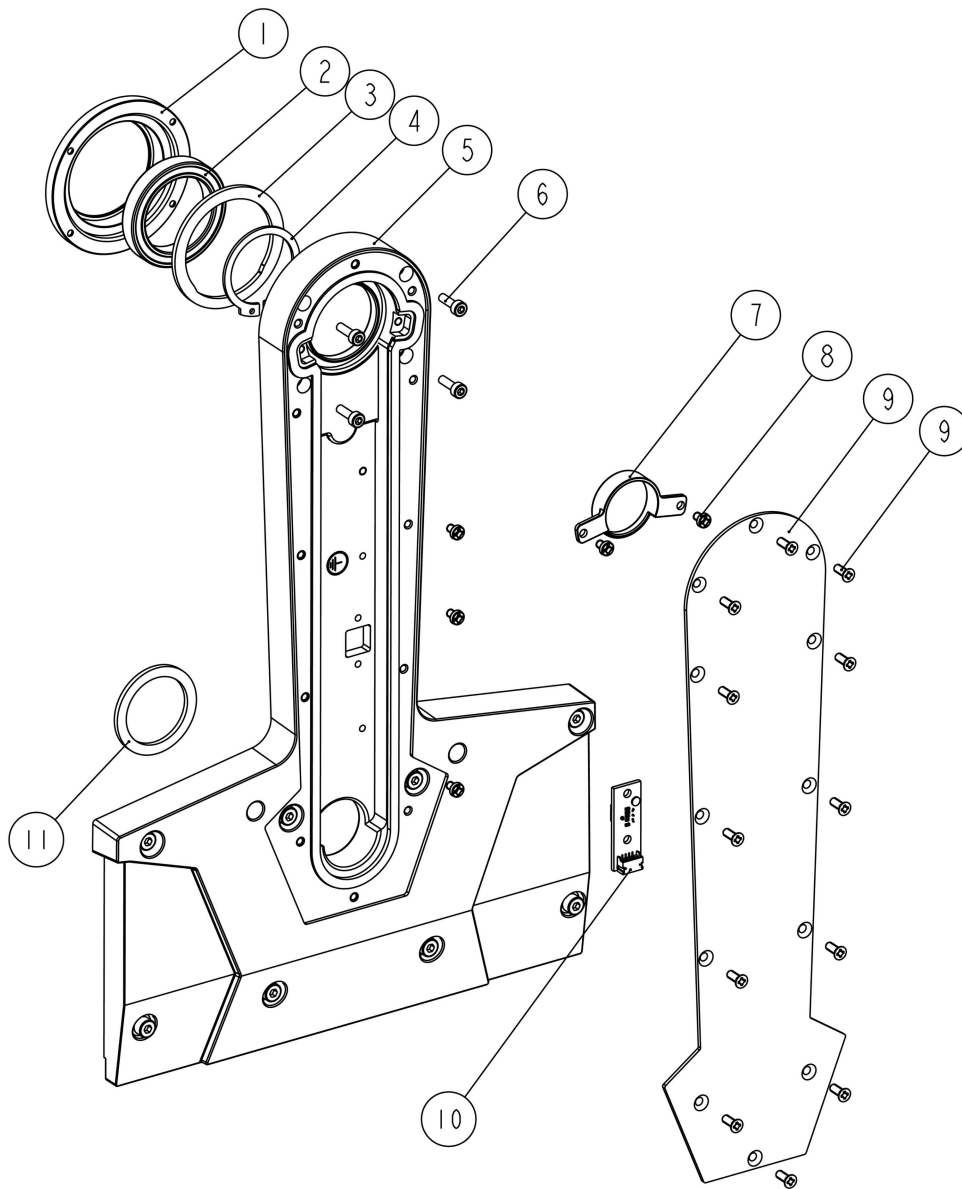
13.YOKE-JDC2-2



13.YOKE-JDC2-2

POS	CODE	NAME	QUANTITY
1	207011755	ENDKAPPE-1-JDC2-IP	1
2	207011642	ENDKAPPE-2-JDC2-IP	1
3	313010371	DIN-912-M4X12	16

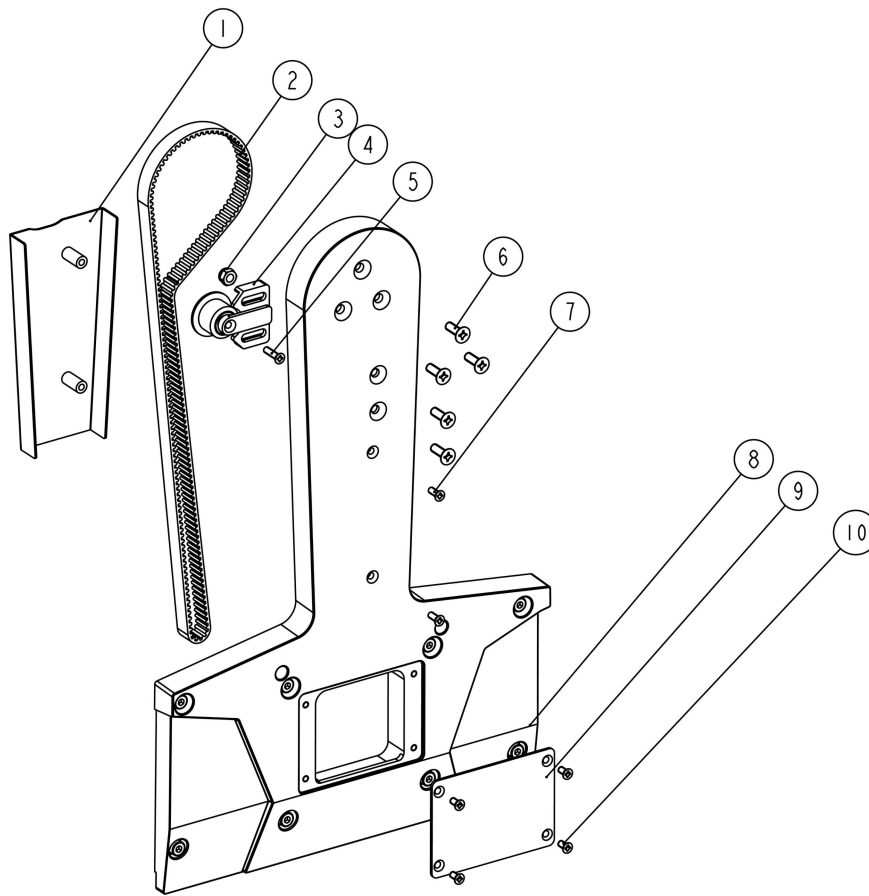
14.ENDKAPPE-2-JDC2-IP



14.ENDKAPPE-2-JDC2-IP

POS	CODE	NAME	QUANTITY
1	304031694	TILT-BEARINGBLOCK-JDC2	1
2	304010048	SS 6806 2RSWRC3	1
3	204052102	BEARING-BAFFLE-JDC2	1
4	204052114	RETAINING-RING-28-JDC2-IP	1
5	207011758	JDC2-IP ENDKAPPE-2- ASSEMBLY	1
6	303010283	CHC_M3X10	4
7	308040273	JDC_WIRE_PROTECTION_PLASTIC	1
8	303010422	KREUZSCHLITZ-LINSENKOPF-M3X4	2
9	204052103	ARM-SHEET-METAL-COVER-JDC2-IP	1
10	313010169	KREUZSCHLITZ-SENKKOPF-M3X6	12
11	315006336	X5-IPBAR_TILT_HALL	1

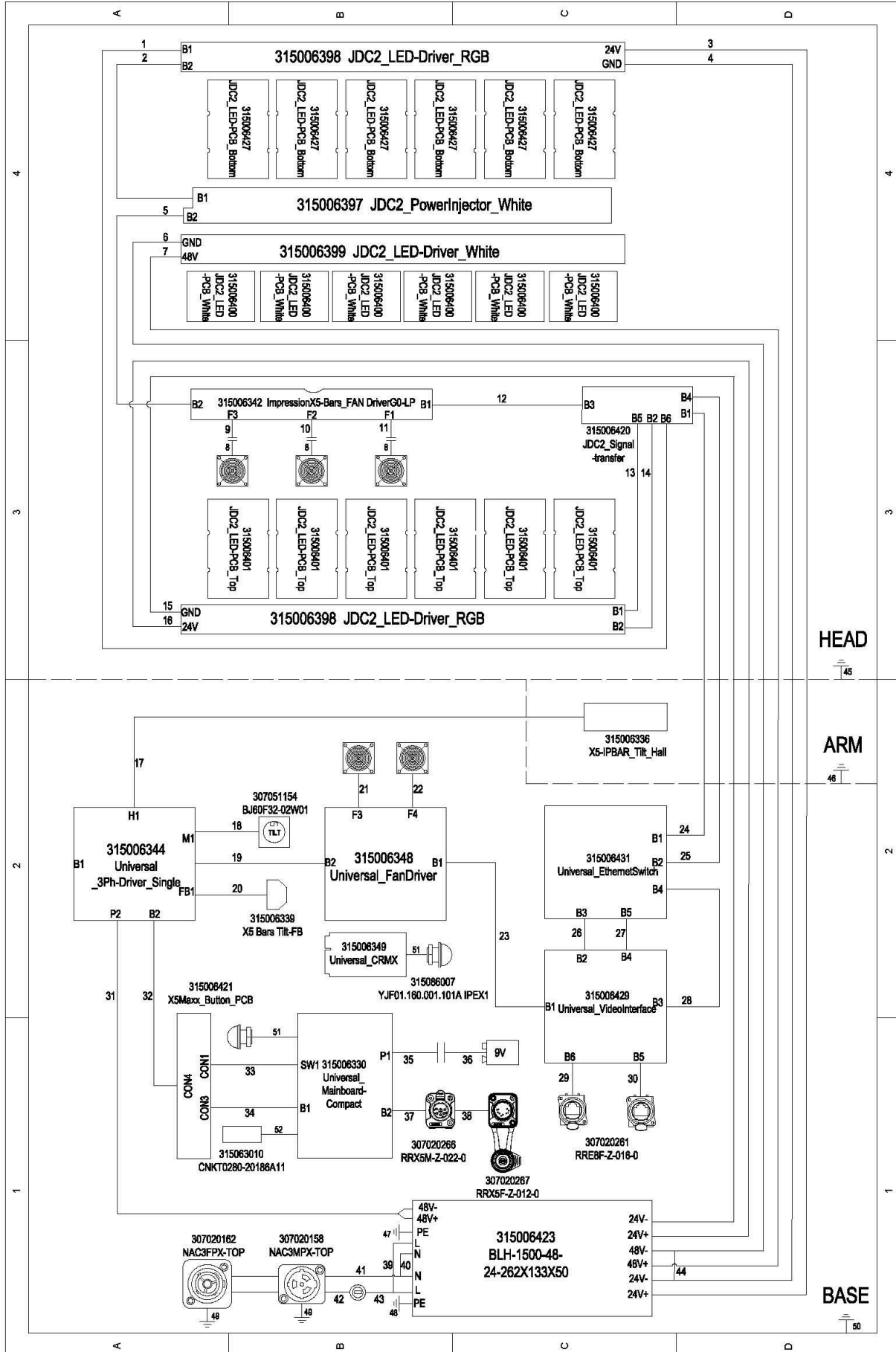
15.ENDKAPPE-1-JDC2-IP



15.JDC2-ANDRUCKROLLE-PAN

POS	CODE	NAME	QUANTITY
1	204052177	JDC2-YOKE-COVER	1
2	308020082	JDC2-BELT-TILT-591	1
3	313010133	STOPMUTTER-M4	2
4	207011756	JDC2-ARM-BELT-ADJUSTMENT-BLOC ASSEMBLY	1
5	313010228	KREUZSCHLITZ-SENKKOPF-M3X12	1
6	313010128	KREUZSCHLITZ-SENKKOPF-M4X12	5
7	313010168	KREUZSCHLITZ-SENKKOPF-M3X8	2
8	304031680	ENDKAPPE-1-JDC2-IP	1
9	204052107	MOTOR-COVER-JDC2-IP	1
10	313010374	KREUZSCHLITZ-SENKKOPF-M3X6	4

16. Wiring Diagram



16.Wiring Diagram

POS	CODE	NAME	QUANTITY
1	307041605	JDC2_Signal-transfer B2 TO JDC2_LED-Driver_RGB B2+425MM	1
2	307041604	JDC2_Signal-transfer B5 TO JDC2_LED-Driver_RGB B1+430MM	1
3	307041616	JDC2 PSU 24V+ TO JDC2_LED-Driver_RGB 24V+600MM	1
4	307041615	JDC2 PSU 24V- TO JDC2_LED-Driver_RGB GND+600MM	1
5	307041607	JDC2_LED_DRIVER_WHITE B1 TO JDC2_LED_DRIVER_RGB B2+365MM	1
6	307041608	JDC2 LED-DRIVER_WHITE B2 TO FAN DRIVER B2+300MM	1
7	307041613	JDC2 PSU 48V- TO JDC2_LED-DRIVER_WHITE GND+850MM	1
8	307041614	JDC2 PSU 48V+ TO JDC2_LED-DRIVER_WHITE 48V+850MM	1
9	307041609	JDC2 HEAD FAN TO F3+200MM	1
10	307041610	JDC2 HEAD FAN TO F2+280MM	1
11	307041611	JDC2 HEAD FAN TO F1+380MM	1
12	307061256	JDC2 HEAD FAN+40MM	3
13	307041612	JDC2 Signal-transfer B3 TO HEAD FAN-DRIVER B1+140MM	1
14	307041606	JDC2_Signal-transfer B6 TO JDC2_LED-Driver_RGB B1+540MM	1
15	307041617	JDC2 PSU 24V- TO JDC_LED-DRIVER_RGB GND+850MM	1
16	307041618	JDC2 PSU 24V+ TO JDC_LED-DRIVER_RGB 24V+850MM	1
17	307041622	JDC2 TILT MOTOR DRIVER H1 TO HALL H1+450MM	1
18	307041626	JDC2 TILT MOTOR DRIVER M1 TO TILE MOTOR+220MM	1
19	307041624	JDC2 TILT MOTOR DRIVER B1 TO BOTTOM FAN DRIVER B1+70MM	1
20	307041627	JDC2 TILT MOTOR DRIVER FB1 TO Tilt fb +140MM	1
21	307061257	JDC2 BOTTOM FAN TO FANDVIER F4+80MM	1
22	307061258	JDC2 BOTTOM FAN TO FANDIVER F3+120MM	1
23	307041625	JDC2 FAN DRIVER B2 TO NETWORK B3+180MM	1
24	307041619	JDC2 NETWORK B1 TO Signal-transfer B1+510MM	1
25	307041620	JDC2 NETWORK B2 TO Signal-transfer B4+550MM	1
26	307041695	JDC2 EthernetSwitch B2 TO NETWORK B3+70MM	1
27	307041693	JDC2 NETWORK B5 TO EthernetSwitch B4+160MM	1
28	307041694	JDC2 NETWORK B4 TO EthernetSwitch B3+70MM	1
29	307041628	JDC-2 NETWORK TO NETWORK ENGINE+420MM	1
30	307041692	JDC-2 EthernetSwitch B5 TO NETWORK ENGINE+220MM	1
31	307041623	JDC2 PSU 48V+ AND 48V- TO TILT MOTOR DRIVER P2+240MM	1
32	307041634	JDC2 FAN DRIVER B2 TO BOTTOM CON4+200MM	1
33	307041645	JDC2 MAIN SW TO BOTTOM CON1+140MM	1

34	307041635	JDC2 BOTTOM CON3 TO MAIN B1+120MM	1
35	307041636	JDC2 BATTERY TO MAIN P1+150MM	1
36	307041497	X5 BAR BATTERY +300MM	1
37	307041637	JDC2 DMX FEMALE TO MAIN B2+450MM	1
38	307041638	JDC2 DMX MALE TO DMX FEMALE+550MM	1
39	307041629	JDC2 PSU 24V_L TO PSU 48V_L+90MM	1
40	307041630	JDC2 PSU 24V_N TO PSU 48V_N+90MM	1
41	307041632	JDC2 POWERCON IN_N TO POWERCON OUT_N AND PSU+400MM+120MM	1
42	307041633	JDC2 POWERCON IN_L TO POWERCON OUT_L AND FUSE +420MM+80MM	1
43	307041631	JDC2 FUSE TO PSU+100MM	1
44	307041621	JDC2 PSU 48V- TO PSU 48V+140MM	1
45	307041639	JDC2 BASE TO HEAD PE+380MM	1
46	307041640	JDC2 BASE TO ARM PE+180MM	1
47	307041641	JDC2 PSU TO PE+70MM	1
48	307041643	JDC2 POWERCON PE +100MM	1
49	307041642	JDC2 PSU TO PE+100MM	2
50	307041644	JDC2 BASE TOP TO BOTTOM PE +200MM	1
51	315086007	YJF01.160.001.101A IPEX1	2
52	315086005	C168-JL-6215 V1.0	1