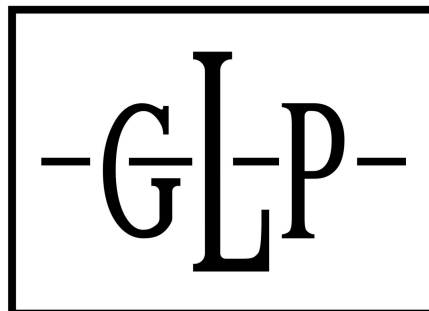




Technische Serviceanleitung /
Technical Service Manual

Rev2.0



e-mail : support@glp.de
web : <http://www.glp.de>

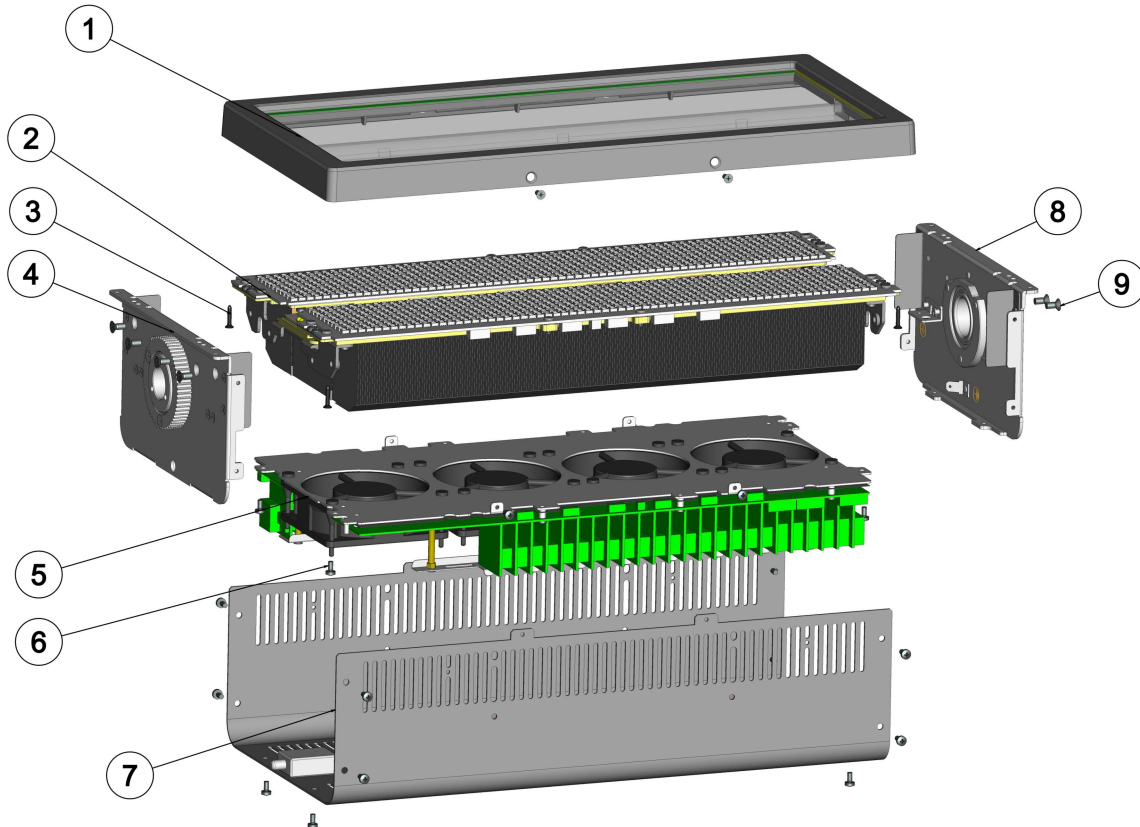
0. Overview



0. Overview

Pos.	Code	Name	Quantity
1	207010751	JDC-1-HEAD-MODULE	1
2	207010752	JDC-1-BASE-MODULE	1

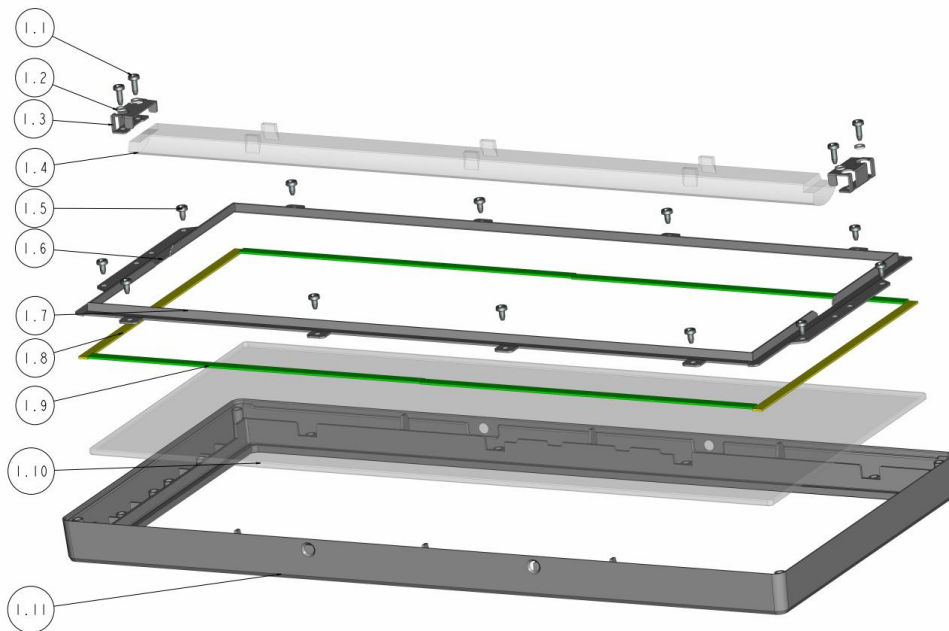
1.Head



1.Head

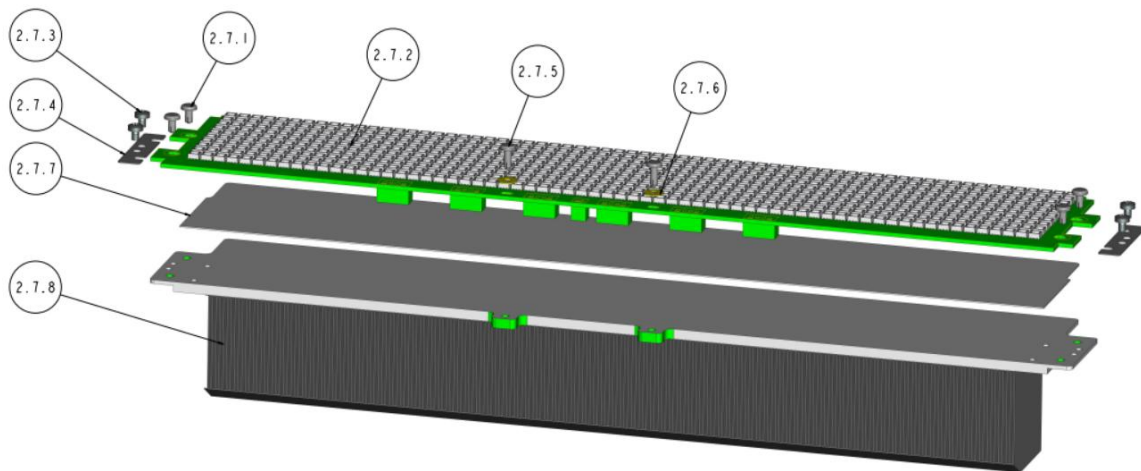
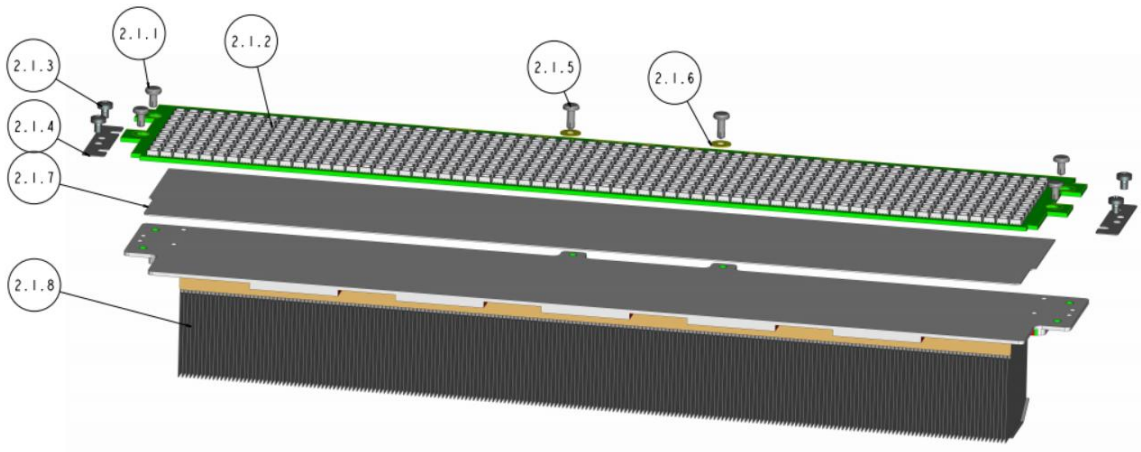
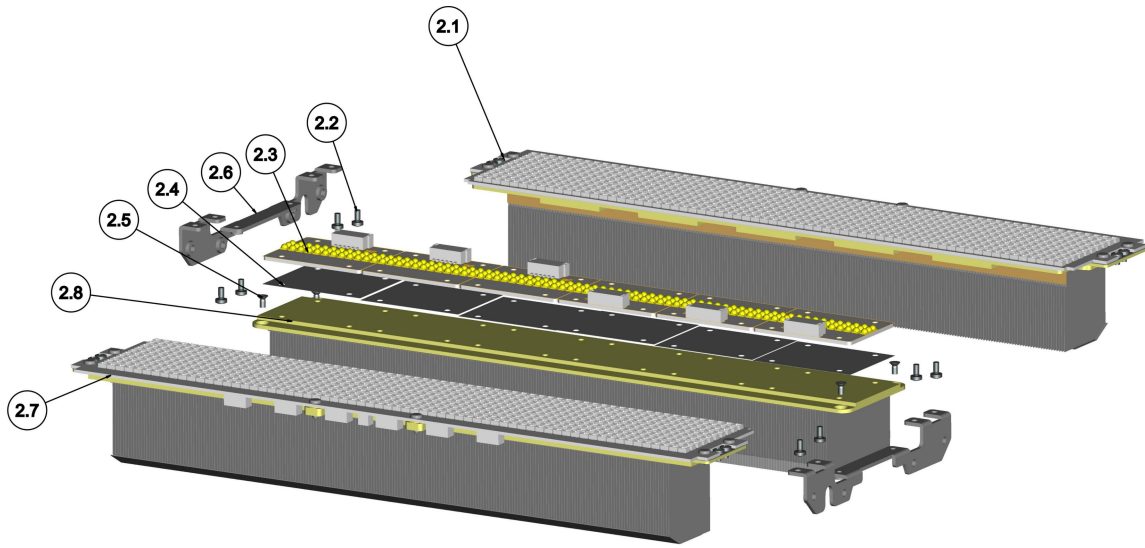
POS	CODE	NAME	QUANTITY
1	207010705	FRONT-MODULE	1
2	207010753	JDC-1-HEAD-LED-ASSEMBLY	1
3	313010036	KREUZSCHLITZ-SK-BLECH-3X12	4
4	207010754	JDC-1-HEAD-SIDE-COVER-R-MODULE	1
5	207010755	FAN-MODULE-NEW	1
6	303010440	SCREW PAN HEAD/CROSS DRIVES BLACK M3X6	4
7	207010749	JDC-1-HEAD-BACK-COVER-MODULE	1
8	207010756	JDC-HEAD-SIDE-COVER-L-MODULE	1
9	303010425	SCREW FLAT HEAD/CROSS DRIVES BLACK M4X8	8

1.1 FRONT-MODULE



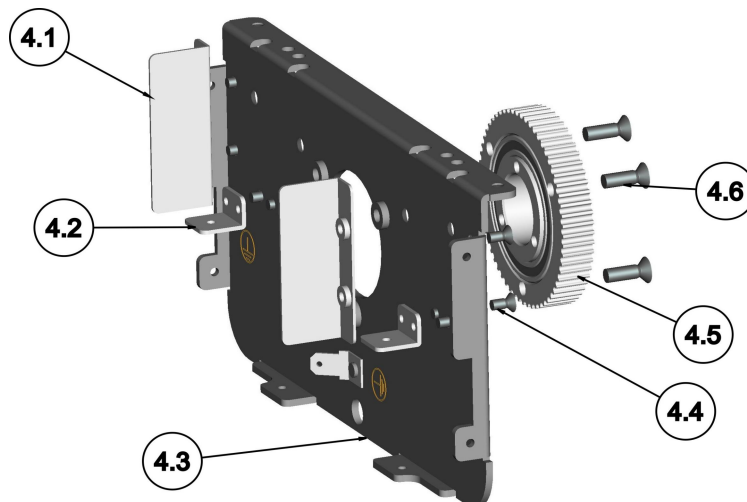
POS	CODE	NAME	QUANTITY
1.1	303010173	KREUZSCHLITZ-BLECHSCHRAUBE25X77	4
1.2	303020011	PLAIN WASHER Φ 3-6	4
1.3	204051789	JDC-1-LIGHT-GUIDER-SPACING-NEW	2
1.4	309020061	JDC-1-LIGHT-GUIDER	1
1.5	313010064	KREUZSCHLITZ-BLECHSCHRAUBE-3X6	12
1.6	204050896	JDC-1-ZHE-GUANG-MIDDLE	2
1.7	204050895	JDC-1-ZHE-GUANG-SIDE	2
1.8	308000299	JDC-1-HEAD-RUBBER-SHORT	2
1.9	308000298	JDC-1-HEAD-RUBBER-LONG	4
1.10	308030034	JDC-1-FRONT-MIRRO	1
1.11	308010326	JDC-1-FRONT-COVER	1

1.2 JDC-1-HEAD-LED-ASSEMBLY



POS	CODE	NAME	QUANTITY
2.1	207011513	SIDE-LED-PCB-R-ASSEMBLY/NEW LED/CREE	1
2.1.1	308000303	SRVO-3055B	4
2.1.2	314012017	JDC-1_RIGHT_LED/NEW LED/CREE	1
2.1.3	303010422	SCREW SMALL PAN HEAD/CROSS DRIVES BLACK M3X4	4
2.1.4	204050926	JDC-1-SIDE-LED-PCB-PLATE	2
2.1.5	308000304	SRVO-3090B	2
2.1.6	313020010	M3*6*0.5	2
2.1.7	308040008	THERMAL-CONDUCTIVE-PAD	1
2.1.8	304030664	JDC-1-SIDE-HEATSINK-MODULE	1
2.2	303010440	SCREW PAN HEAD/CROSS DRIVES BLACK M3X6	8
2.3	315006197	JDC_MIDDLE_LED/NEW LED/LUMINUS SST	6
2.4	308000293	EGRAF1205-57-9X45	6
2.5	303010412	SCREW FLAT HEAD/CROSS DRIVES BLACK M3X6	4
2.6	204050898	JDC-1-HEAD-MAIN-HOLDER	2
2.7	207011514	SIDE-LED-PCB-L-ASSEMBLY/NEW LED/CREE	1
2.7.1	308000303	SRVO-3055B	4
2.7.2	314012016	JDC-1_LEFT_LED/NEW LED/CREE	1
2.7.3	303010422	SCREW SMALL PAN HEAD/CROSS DRIVES BLACK M3X4	4
2.7.4	204050926	JDC-1-SIDE-LED-PCB-PLATE	2
2.7.5	308000304	SRVO-3090B	2
2.7.6	313020010	M3*6*0.5	2
2.7.7	308040008	THERMAL-CONDUCTIVE-PAD	1
2.7.8	304030664	JDC-1-SIDE-HEATSINK-MODULE	1
2.8	304030663	JDC-1-HEAT-SHEET-MODULE	1

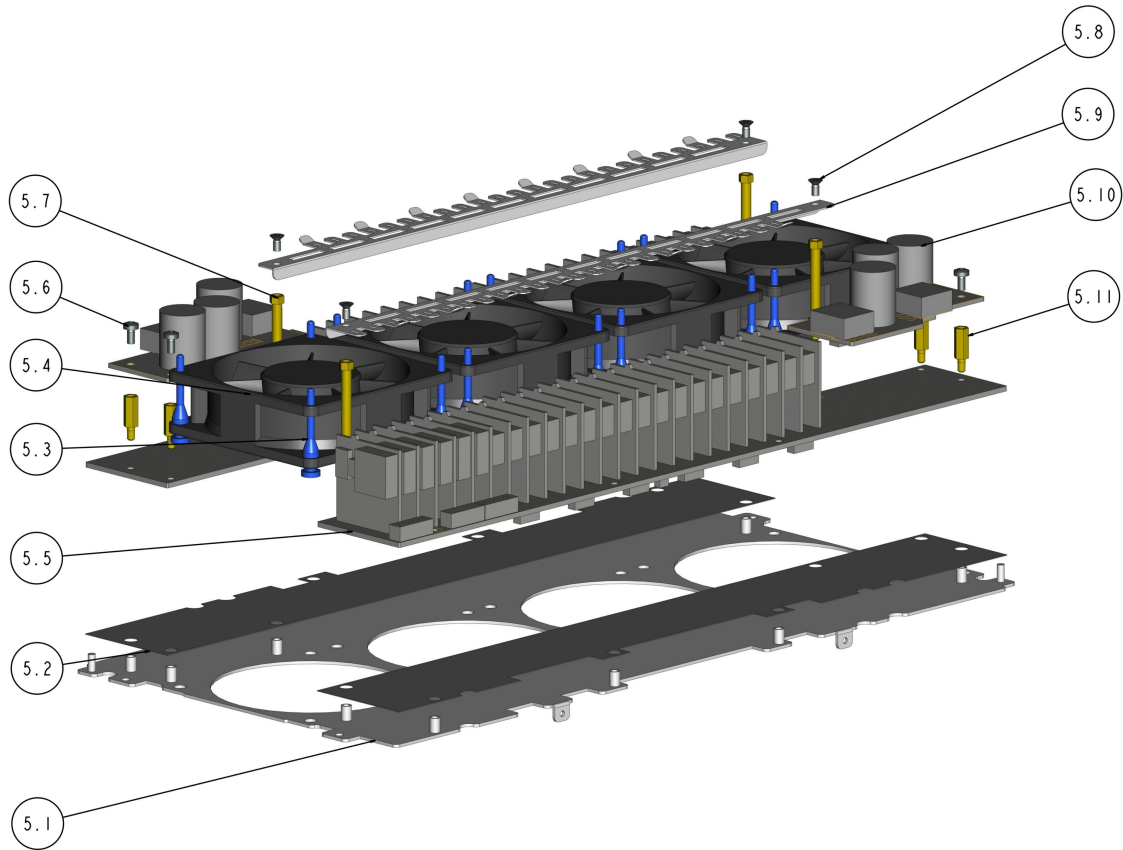
1.4 JDC-1-HEAD-SIDE-COVER-R-MODULE



POS	CODE	NAME	QUANTITY
4.1	204050915	JDC-1-LIGHT-COVER	2
4.2	204050938	JDC-1-FAN-MODULE-HOLDER	2
4.3	204050900	JDC-1-HEAD-SIDE-COVER-R	1

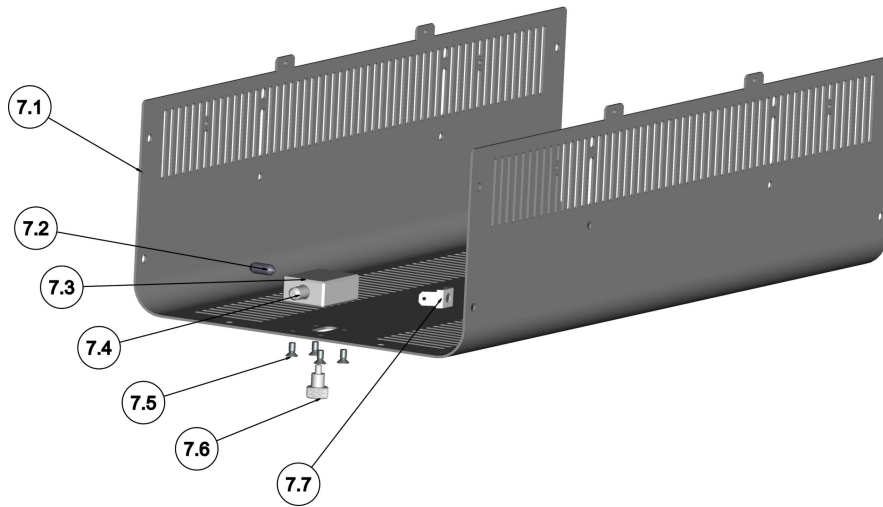
4.4	303010412	SCREW FLAT HEAD/CROSS DRIVES BLACK M3X6	4
4.5	207010301	X4-BAR-GEARWHEEL-ASSEMBLY	1
4.6	303010432	SCREW FLAT HEAD/CROSS DRIVES BLACK M4X12	3

1.5 FAN-MODULE-NEW



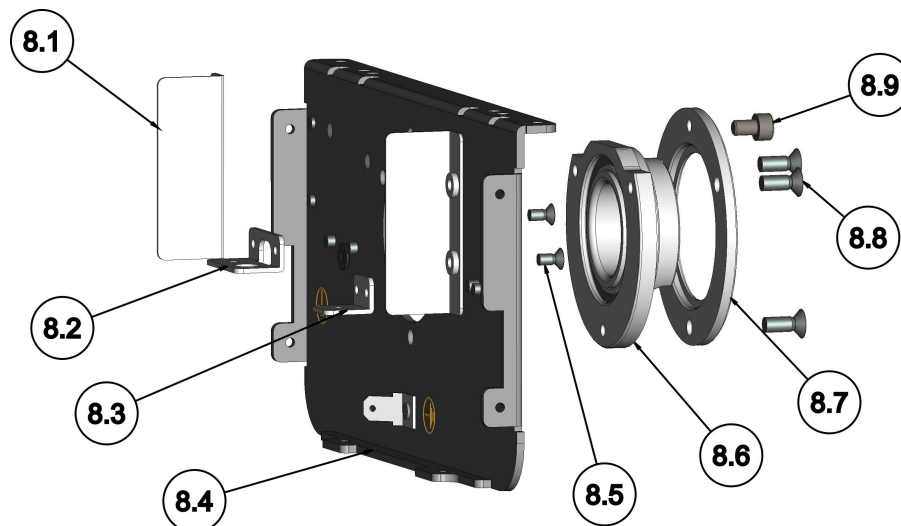
POS	CODE	NAME	QUANTITY
5.1	204050891	JDC-1-FAN-HOLDER	1
5.2	308000295	DRIVER-ISOLATION-HALFBRID	2
5.3	308000113	BUB-35G	16
5.4	307060059	ME80252V1-0000-A99-S	4
5.5	314012018	JDC-1_DRIVER_RGB	2
5.6	303010118	SCREW FLAT HEAD/CROSS DRIVES BLACK M3X6	10
5.7	304030725	SPACER-M3X34-5	4
5.8	303010360	SCREW FLAT HEAD/CROSS DRIVES BLACK M3X5-120°	4
5.9	204051053	JDC-1-DRIVER-PCB-HOLDER	2
5.10	314012071	JDC_POWER-TRANSFER_PCB	2
5.11	304031193	SPACER-M3X12-1	4

1.7 JDC-1-HEAD-BACK-COVER-MODULE



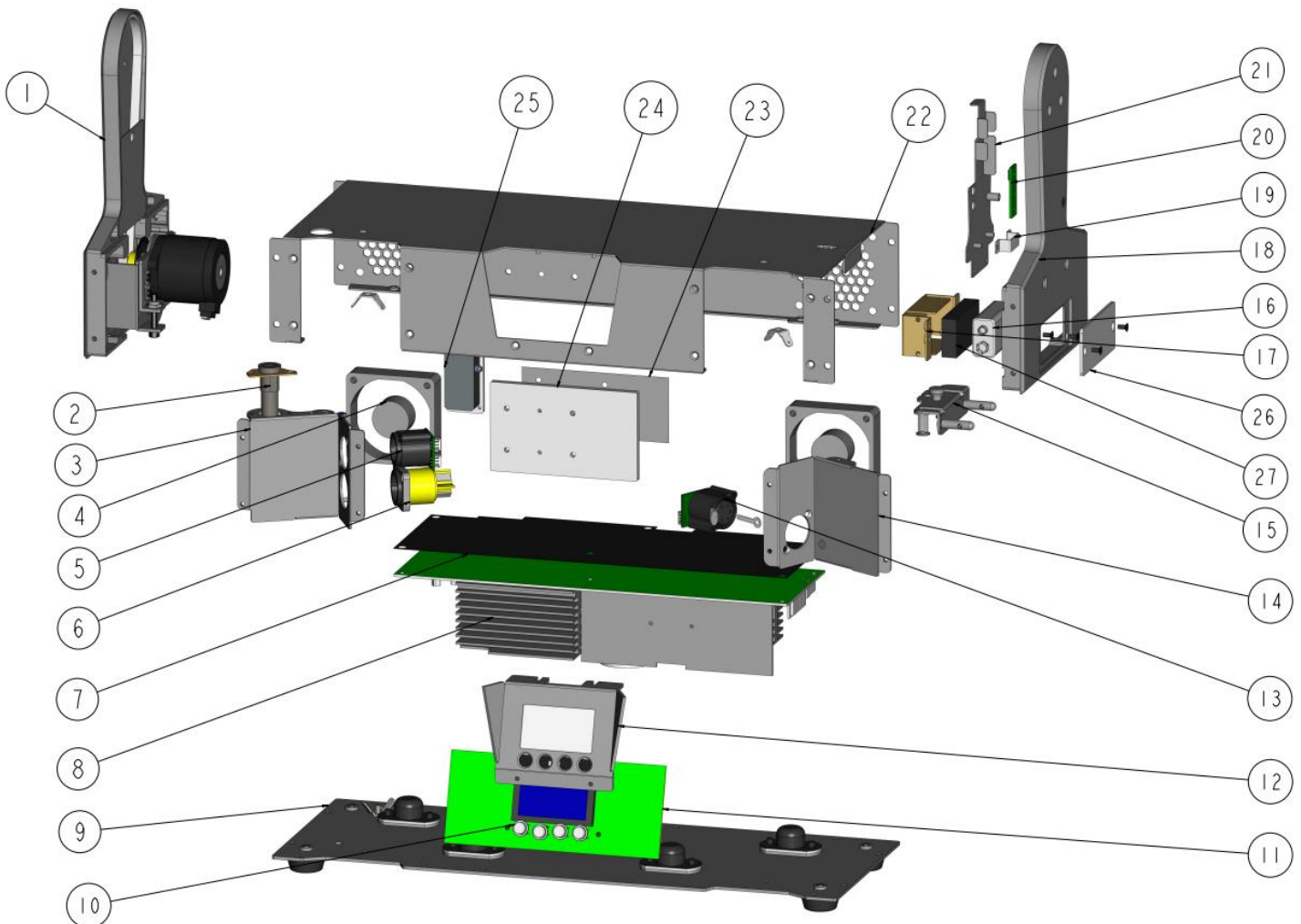
POS	CODE	NAME	QUANTITY
7.1	204050913	JDC-1-HEAD-BACK-COVER	1
7.2	304000514	SPRING PLUNGER M5X12	1
7.3	304030710	JDC-1-HEAD-PIN-HOLDER	1
7.4	304030709	JDC-1-HEAD-LOCK-PIN	1
7.5	303010412	SCREW FLAT HEAD/CROSS DRIVES BLACK M3X6	4
7.6	304030711	JDC-HEAD-LOCK-KNOPF	1
7.7	204050033	EARTHCONNECTOR	1
7.8	303020011	PLAIN WASHERΦ3	1
7.9	303020028	SPRING WASHER Φ3	1
7.10	303010314	HEXAGONAL NUT M3	1
7.11	303020036	TOOTHED LOCK WASHER Φ4	1

1.8 JDC-HEAD-SIDE-COVER-L-MODULE



POS	CODE	NAME	QUANTITY
8.1	204050915	JDC-1-LIGHT-COVER	1
8.2	204051007	JDC-1-FAN-MODULE-HOLDER-2	1
8.3	204050938	JDC-1-FAN-MODULE-HOLDER	1
8.4	207010789	JDC-1-HEAD-SIDE-COVER-L-ASSEMBLY	1
8.5	303010412	SCREW FLAT HEAD/CROSS DRIVES BLACK M3X6	4
8.6	207010759	JDC-1-TILT-BEARING-ASSEMBLY	1
8.7	304030669	JDC-1-TILT-BEARINGBLOCK-COVER	1
8.8	303010137	SCREW FLAT HEAD/CROSS DRIVES BLACK M4X10	3
8.9	303010446	SCREW, BLACK HEXAGONAL HEAD M4X6	1

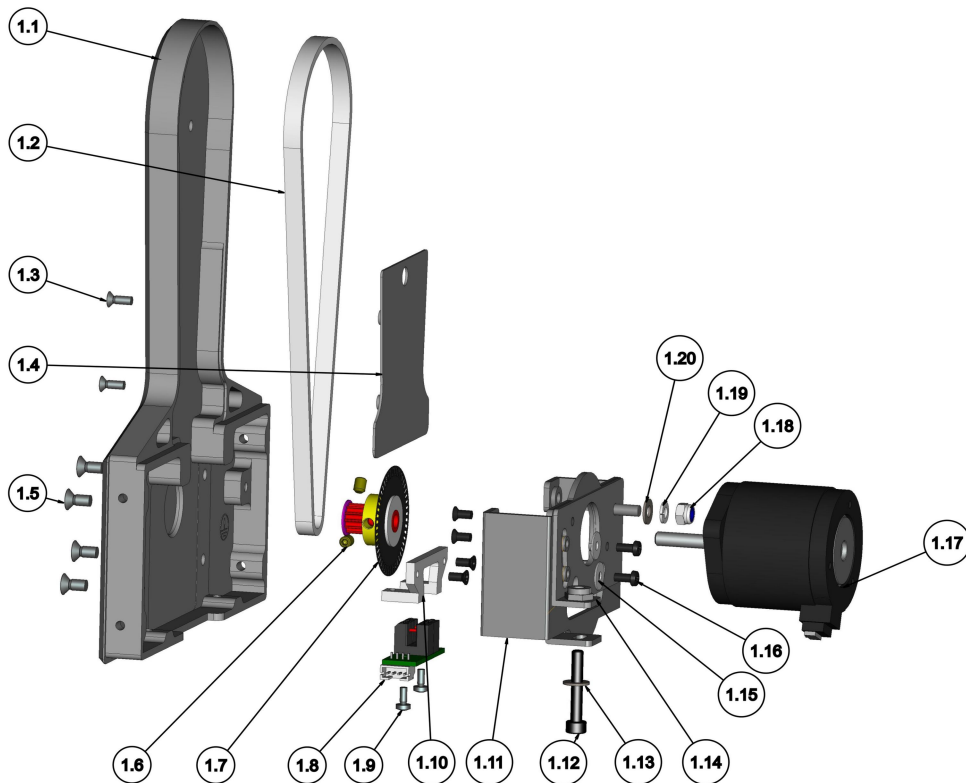
2.JDC-1-BASE-MODULE



POS	CODE	NAME	QUANTITY
1	207010760	BOTTOM-SIDE-COVER-BELT-MODULE	1
2	207010761	JDC-1-FUSE-ASSEMBLY	1
3	204050903	JDC-1-POWER-IN-HOLDER	1
4	307061211	MF60152V1-1000C-A99-S	2
5	207010762	JDC-1-DMX_5M_ASSEMBLY	1

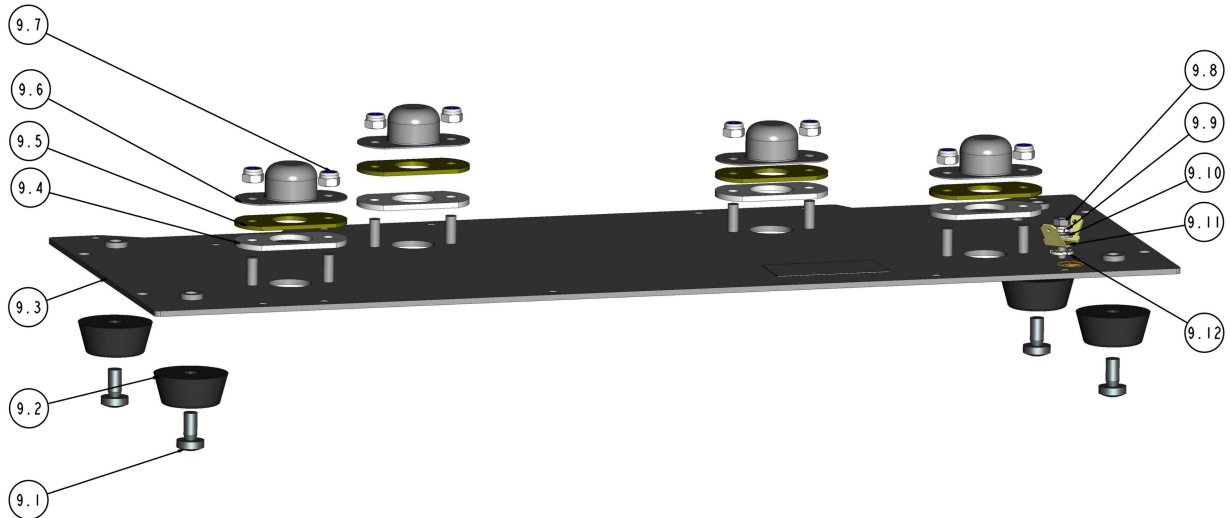
6	307020158	NAC3MPX	1
7	308000294	ISOLATION-HALFBRIDGE-BOTTOM	1
8	306060350	JDC-1-PSU	1
9	207010701	JDC-1-BOTTOM-BIG-COVER-MODULE	1
10	304030415	KEYSTOKE-X4L	4
11	314012014	JDC-1-MAIN	1
12	207010763	JDC-1-DISPLAYTRAEGER-ASSEMBLY	1
13	207010764	JDC-1-DMX_5F_ASSEMBLY	1
14	204050904	JDC-1-POWER-OUT-HOLDER	1
15	207010787	JDC-1-BASE-CONNECTION-MODULE	1
16	306070006	BATTERY-9V	1
17	204051779	BATTERY-SHEET-NEW	1
18	304031389	JDC-1-BOTTOM-SIDE-COVER-NEW	1
19	204050928	JDC-1-ARM-CABLE-L	1
20	306060140	TILT-HALL-PCB-S1-ALL	1
21	204050897	JDC-1-CABLE-COVER	1
22	204050889	JDC-1-BOTTOM-MAIN-SHEET-METAL	1
23	308000301	PSU-HEATSINK-COMNECTION-SMALL	1
24	204050924	PSU-HEATSINK-COMNECT	1
25	207010308	X4-BAR-FIXED-BLOCK-ASSEMBLY-10	1
26	204051777	BATTERY-COVER-JDC-1	1
27	308040097	40PPI-BATTERY-SPONGE	1

2.1 BOTTOM-SIDE-COVER-BELT-MODULE



POS	CODE	NAME	QUANTITY
1.1	304030671	JDC-1-BOTTOM-SIDE-COVER-BELT	1
1.2	308020012	BELT-HTD-3M-390-6	1
1.3	303010412	SCREW FLAT HEAD/CROSS DRIVES BLACK M3X6	2
1.4	204050908	JDC-1-YOKE-COVER	1
1.5	303010425	SCREW FLAT HEAD/CROSS DRIVES BLACK M4X8	4
1.6	303010243	MADENSCHRAUBE-M4X5	2
1.7	304030363	RITZEL-OMRON-POWERCON_ASM_21	1
1.8	306060349	JDC-FB	1
1.9	313010002	SCREW PAN HEAD/CROSS DRIVES BLACK M2.5X6	2
1.10	304030400	ENCODERWINKEL-PAN-X-BAR	1
1.11	204050584	TILT-MOTOR-SHEET-X-BAR	1
1.12	303010301	SCREW, BLACK HEXAGONAL HEAD M4X25	1
1.13	303020012	PLAIN WASHER Φ 4	1
1.14	204050517	MOTORHOLDER-TILT-STRIP	1
1.15	303020014	PLAIN WASHER Φ 3	2
1.16	303010412	SCREW FLAT HEAD/CROSS DRIVES BLACK M3X6	4
1.17	307050039	17HC6002-10N	1
1.18	303010316	STOPMUTTER-M4	1
1.19	303020029	SPRING WASHER Φ 4	1

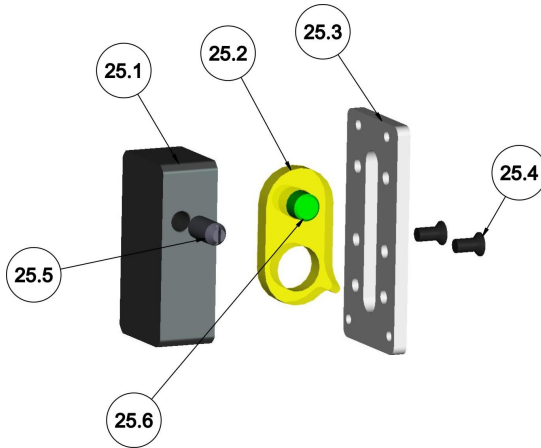
2.9 JDC-1-BOTTOM-BIG-COVER-MODULE



pos	code	name	quantity
9.1	303010121	screw pan head/cross drives black m5x10	4
9.2	308000070	gummifuss	4
9.3	204050892	jdc-1-bottom-big-cover	1
9.4	204050911	jdc-1-camloc-connect	4
9.5	304000135	BLACK SHEETMETAL CAP FOR CAMLOC FEMALE/2-28	4
9.6	204050113	CAMLOC FEMALE/2-38	4

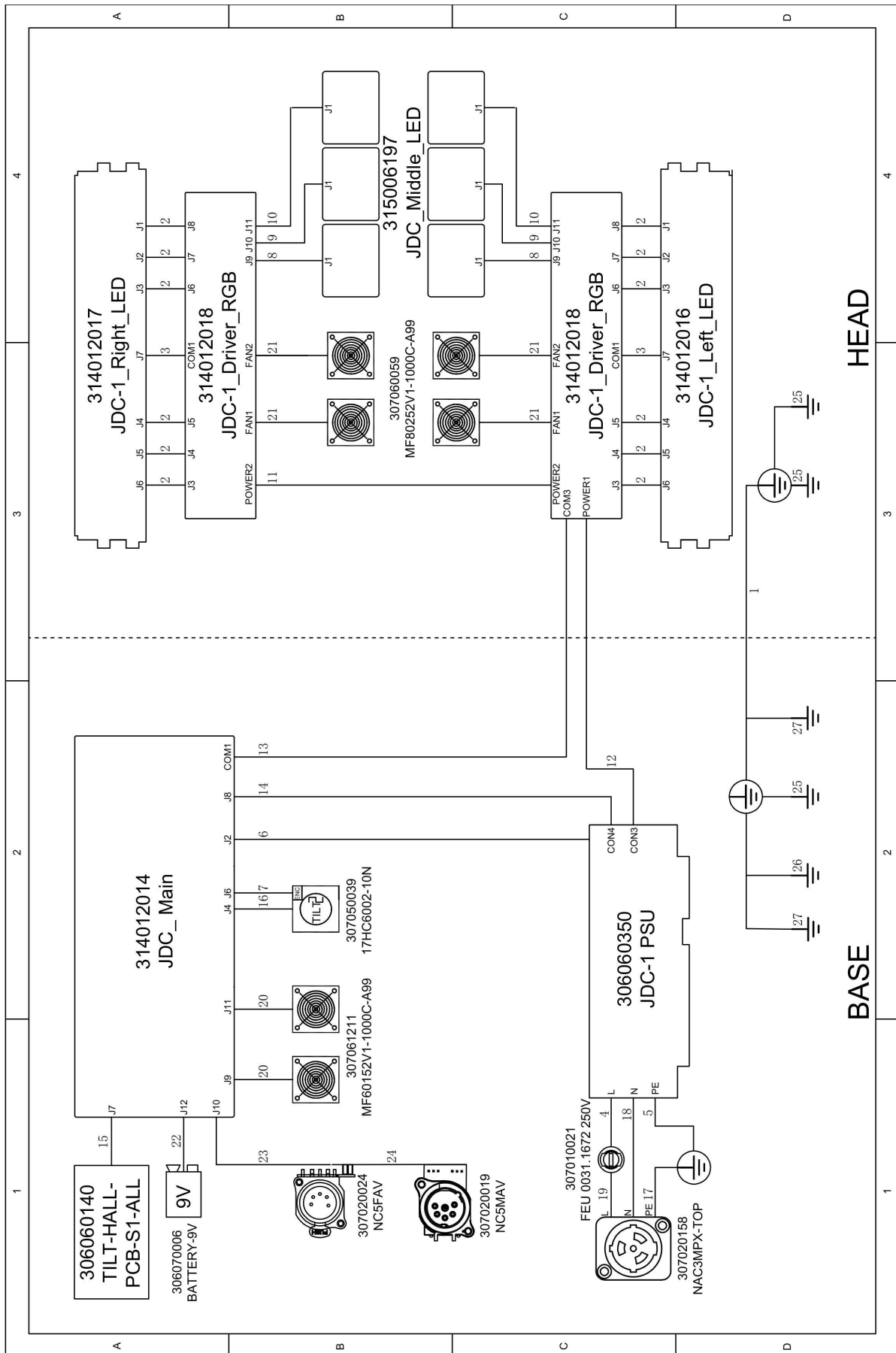
9.7	303010315	STOPPER NUT M3	8
9.8	303010314	HEXAGONAL NUT M3	1
9.9	303020028	SPRING WASHER $\Phi 3$	1
9.10	303020011	PLAIN WASHER $\Phi 3$	1
9.11	204050033	EARTHCONNECTOR-4.2MM	1
9.12	303020036	TOOTHED LOCK WASHER $\Phi 4$	1

2.25 SUPPORT-PLATE-MODEL



POS	CODE	NAME	QUANTITY
25.1	304030465	FIXED-BLOCK	1
25.2	204050602	SUPPORT-PLATE	1
25.3	204050603	FIXED-BLOCK-X4-BAR-10	1
25.4	303010412	SCREW FLAT HEAD/CROSS DRIVES BLACK M3X6	2
25.5	304000179	SPRING PLUNGER M5X12	1
25.6	304030464	SHAFT-6	1

4. Wiring Diagram



4.Wiring Diagram

POS	CODE	NAME	QUANTIT Y
1	307040687	Base to head PE +340	1
2	307040688	SIDE LED TO DRIVER-1+80	12
3	307040690	SIDE LED NTC TO DRIVER+80	2
4	307040706	FUSS TO PSU +180	1
5	307040753	BASE PE TO PSU+190	1
6	307040754	PSU NTC TO MAIN+130	1
7	307040757	JDC-1 Tilt fb +160	1
8	307040760	MIDDILE LED TO DRIVER 6PIN+300	2
9	307040759	MIDDILE LED TO DRIVER 6PIN+265	2
10	307040758	MIDDILE LED TO DRIVER 6PIN+225	2
11	307040761	DRIVER TO DRIVER	1
12	307040762	DRIVER TO POWER+400	1
13	307040763	MAIN TO DRIVER +440	1
14	307040764	MAIN TO POWER+210	1
15	307040765	MAIN TO HALL+280	1
16	307040766	JDC-1 MOTOR CABLE +120	1
17	307040767	JDC-1 POWERCON PE CABLE	1
18	307040768	JDC-1 POWERCON N-CABLE	1
19	307040769	JDC-1 POWERCON L-CABLE	1
20	307061211	MF60152V1-1000C-A99-S	2
21	307060059	ME80252V1-000C-A99-S	4
22	307040360	BATTERY CABLE	1
23	307041212	JDC-1 GT1-5F_P2 to Main_J9+90	1
24	307040701	DMX IN TO OUT+250	1
25	307040319	Base to Arm PE+100	3
26	307040339	BASE TO COVER PE+150	1
27	307041314	JDC-1 POWERCON to Bottom PE+110MM	2
28	307040772	JDC Powercon Mainscable-VDE	1