

# IMPRESSION **X5** IP MAXX



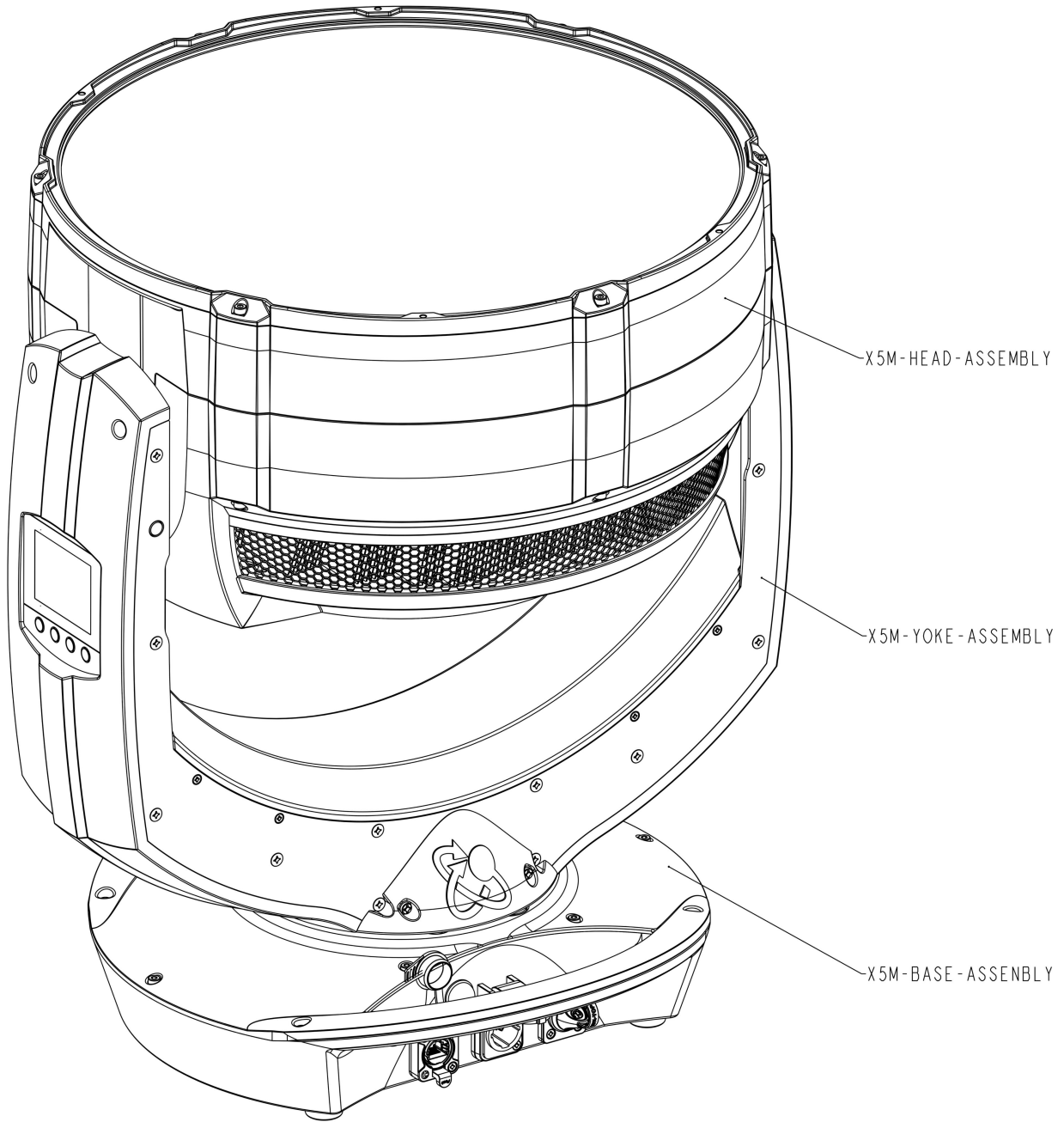
Technische Serviceanleitung /  
Technical Service Manual  
Rev1.2



e-mail : [support@glp.de](mailto:support@glp.de)  
web : <http://www.glp.de>

LOG		
DATE	CONTENT	VERSION
2024.3.12	1.FIRST ISSUE	REV1.1
2024.7.24	1、 UPDATE THE LOG; 1. SN LIST FOR NEW EXPLODED VIEW	REV1.2

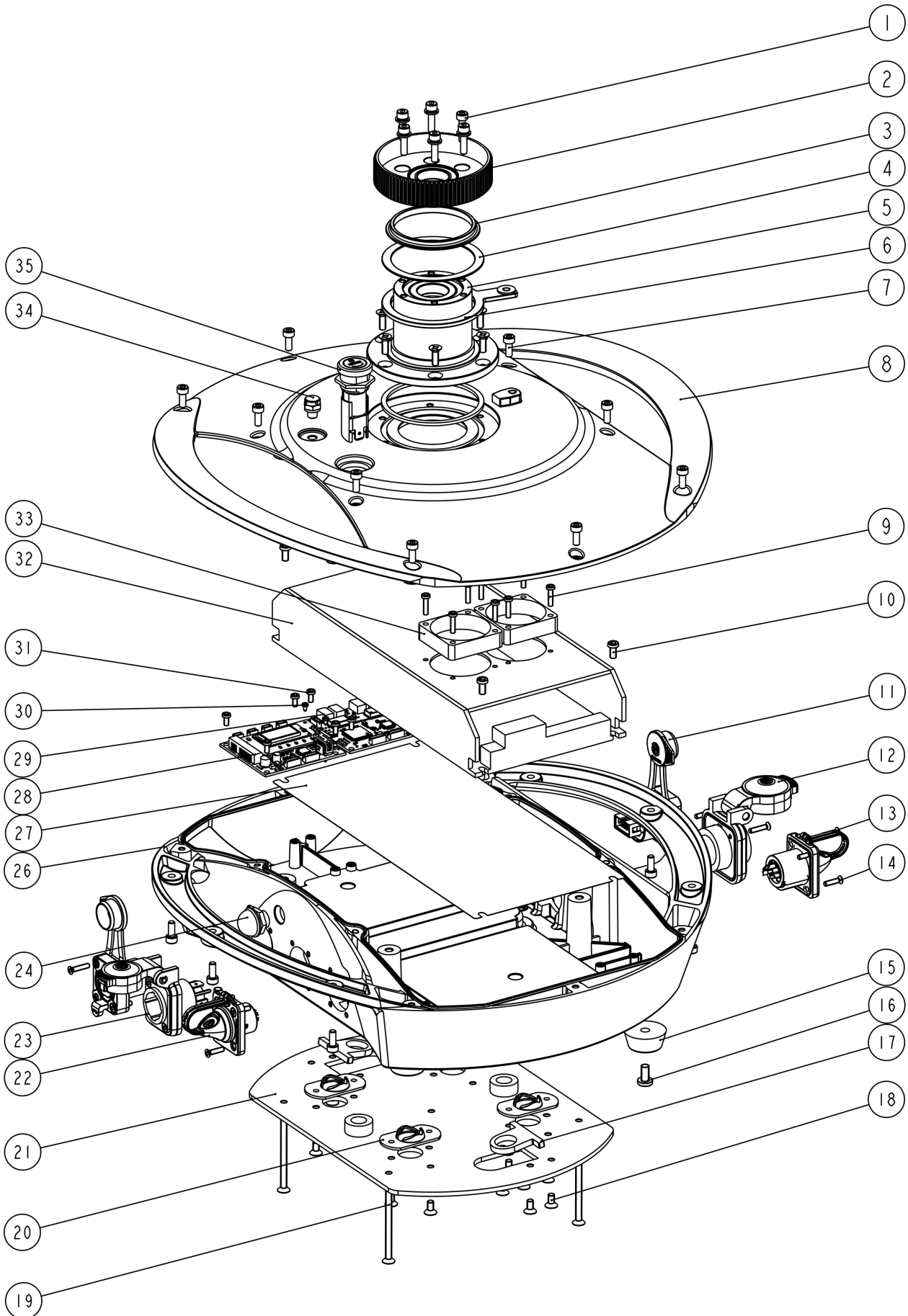
# 0. Overview



## 0.Overview

Pos.	Code	Name	Quantity
1		X5M-HEAD-ASSEMBLY	1
2		X5M-YOKE-ASSEMBLY	1
3		X5M-BASE-ASSEMBLY	1

# 1. X5M-BASE-ASSEMBLY

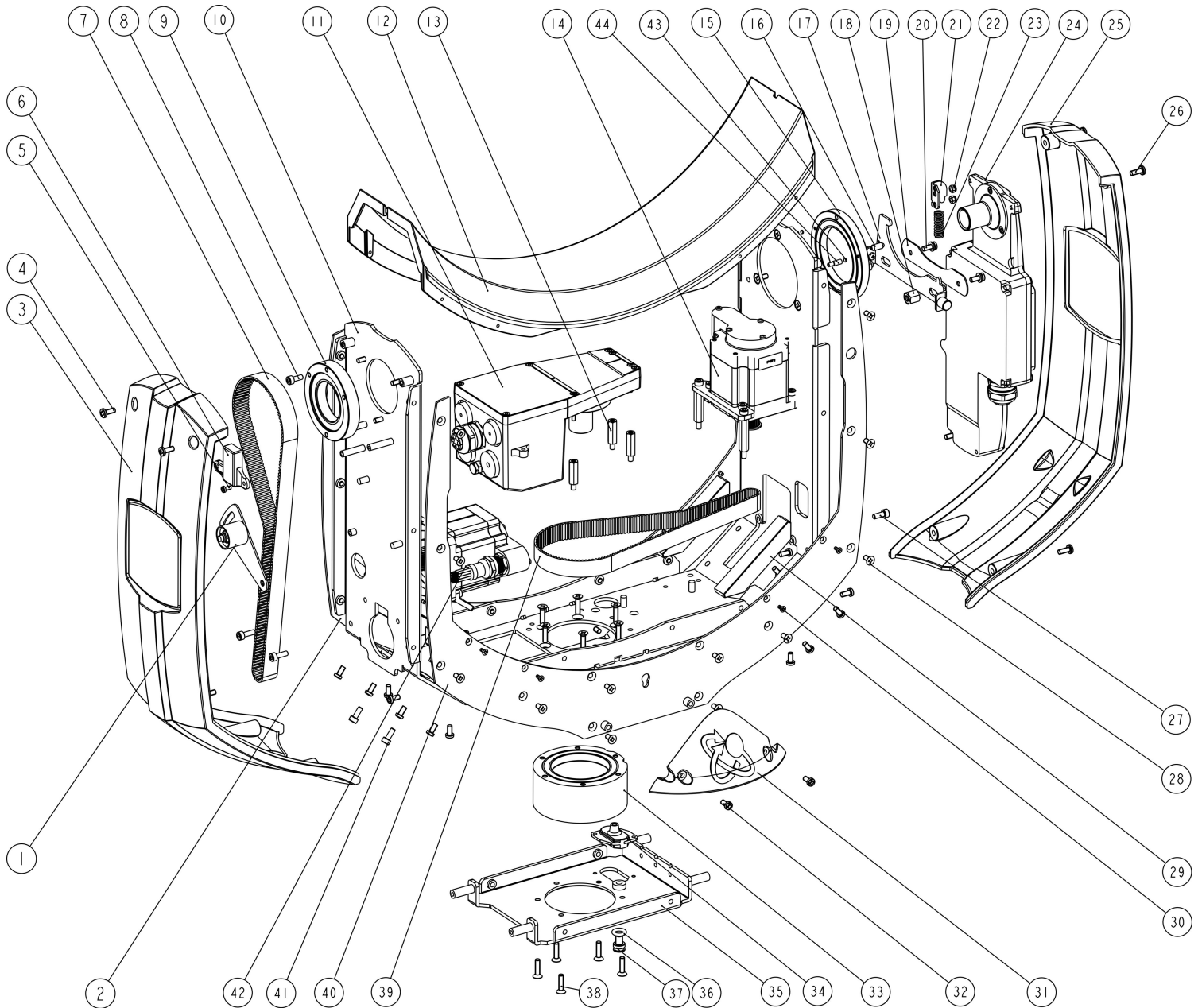


## 1.X5M-BASE-ASSEMBLY

POS	CODE	NAME	QUANTITY
1	313010300	SCREW,BLACK HEXAGONAL HEAD M4X16	6
2	207011782	X5M-PULLEY-PAN-80-MUDULE	1
2.1	304031582	X5M-PULLEY-PAN-80-NEW	1
2.1	304010046	BEARING-SS 6804 2RSWR	1
3	304031581	X5M-GSPACER-PAN	1
4	308040196	X5M-GLEITRING	1
5	207011783	X5M-PAN-ACHSE-MUDULE	1
5.1	304031580	X5M-PAN-ACHSE	1
5.2	308040238	BEARING6804Z-20-32-7	1
6	313010153	KREUZSCHLITZ-SENKKOPF-M4X10	6
7	313010299	SCREW,BLACK HEXAGONAL HEAD M4X10	16
8	207011784	X5M-BASE-TOPCOVER1-MODULE	1
8.1	304031579	X5M-BASE-TOPCOVER1	1
8.2	304030081	1-34	1
8.3	308040320	X5M-BASE-SMALL-RUBBER-2-5	4
9	303010453	KREUZSCHLITZ-LINSENKOPF-M3X12	4
10	303010212	KREUZSCHLITZ-LINSENKOPF-M4X08	4
11	307020261	3D_FILE_RRE8F-Z-012_WITH_RUBBER	2
12	207011785	POWERCON-OUT-MODULE	1
12.1	307020162	NAC3FPX-TOP	1
12.2	308040118	NSSC-2 NAC3FPX	1
13	315006465	DMX_FEMALE	1
14	303010453	KREUZSCHLITZ-SENKKOPF-M3X12	4
15	308000070	GUMMIFUSS	4
16	313010354	KREUZSCHLITZ-LINSENKOPF-M5X10	4
17	204052019	JDC2-SCHAEKELERSATZ	2
18	313010158	KREUZSCHLITZ-SENKKOPF-M4X8	17
19	313010380	KREUZSCHLITZ-SENKKOPF-M4X60	4
20	304000135	2-28	4
21	204051994	X5M-BASEPLATE-1	1
22	315006464	DMX_MALE	1
23	207011786	POWERCON-IN-MODULE	1
23.1	307020158	NAC3MPX-TOP	1
23.2	308040117	NSSC-1 NAC3MP	1
24	315086007	WIFI(BLUETOOTH)-YJF01.160.001.101A IPEX	1
26	304031576	X5L-BASE-TESTCASE2	1
27	308040282	X5M-THERMAL-PSU	1
28	315006348	UNIVERSAL_FANDRIVER	1
29	315006326	UNIVERSAL_NETWORKINTERFACE	1
30	303010287	KREUZSCHLITZ-LINSENKOPF2X4	2
31	303010118	KREUZSCHLITZ-LINSENKOPF-M3X6	8

32	315006422	BLH-1500W-48-240X114X42	1
33	307060015	FAN-KDE1204PFV2-40X40X10-6	2
34	313010320	RN-AV-PC-M6P10-B001/M06X1.0	1
35	207011787	FUSE-MODULE	1
35.1	315083049	0031.2201/5*20mm/VDE-16A-250V/UL-600V/DC 30A	1
35.2	315083050	0215020.MXP/Tube: 5x20mm-20A-250V	1

## 2. X5M-YOKE-MAINFRAME-ASSEMBLY



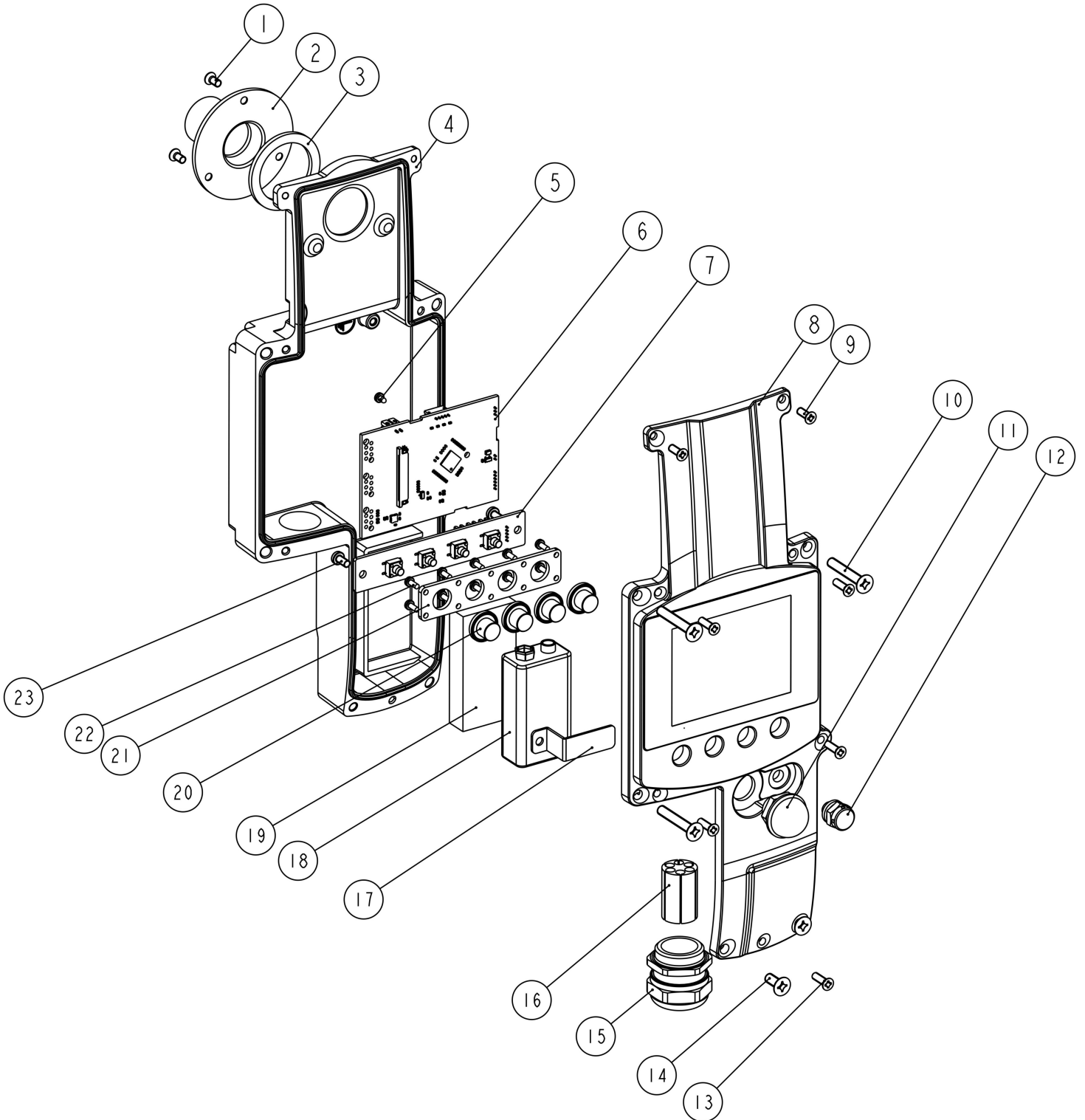
## 2.X5M-YOKE-MAINFRAME-ASSEMBLY

POS	CODE	NAME	QUANTITY
1	207011788	X5M-TILT-ANDRUCKROLLE-ASSEMBLY	2
2	204052009	X5M-YOKE-SIDECOVER-L	1
3	207011789	X5M-YOKETEST-LOGO-MODULE	1
3.1	304031665	X5M-YOKE-LABEL	1
3.2	308011599	X5M-YOKETEST-LOGO	1
4	313010342	KREUZSCHLITZ-LINSENKOPF-M4X10	4
5	313010126	KREUZSCHLITZ-LINSENKOPF-M3X6	2
6	207011790	X5-MAXX_TILT-HALL_PCB-MODULE	1
6.1	308011606	X5-MAXX-TILT-HALL-HOLDER	1
6.2	315006483	X5-MAXX_TILT-HALL_PCB	1
7	308020058	X5M-BELT-TILT-633	1
8	313010299	SCREW,BLACK HEXAGONAL HEAD M4X10	1
9	207011791	X5M-TILT-BEARING-LEFT-MODULE	1
9.1	304031595	X5M-GLP-10410-LEFT	1
9.2	304010043	BEARING SS 6907 ZZ 2RSWR	1
10	204052004	X5M-YOKE-MAINFRAME	1
11	207011792	PAN-BOX-BOTTOM-MODULE-NEW	1
12	308011601	X5M-RUNDBLENDE	1
13	304031666	SPACER-M3X20-5	4
14	207010543	PAN-MOTOR-MODULE	1
15	207011793	X5M-TILT-BEARING-RIGHT-MODULE	1
15.1	304031594	GLP-10410	1
15.2	304010042	BEARING SS 6810 2RSWR	1
16	304000514	SPRING PLUNGER M5X12	1
17	207011794	X5M-GLP-10481-MIRROR-MODULE	1
17.1	204052006	X5M-GLP-10481-MIRROR	1
17.2	304031599	X5M-LP-10389	2
18	304031600	GLP-10391	2
19	204052007	GLP-10388	1
20	313010378	KREUZSCHLITZ-LINSENKOPF-M4X8-COMBINE	2
21	204052091	X5M-GLP-10482	1
22	313010131	STOPMUTTER-M3	2
23	313040010	SPRING-8X15X1	1
24	207011795	X5M-YOKE-BOX-ASSY-LEFT	1
25	308011598	X5M-YOKETEST-DISPLAY	1
26	313010342	KREUZSCHLITZ-LINSENKOPF-M4X10	4
27	313010299	SCREW,BLACK HEXAGONAL HEAD M4X10	4
28	313010158	KREUZSCHLITZ-SENKKOPF-M4X8	24
29	304031668	X5M-YOKE-REINFOCED	4

30	313010361	SELF TAPPING SCREW FLAT HEAD/CROSS DRIVES BLACK -3X7	8
31	207011796	X5M-LOGOTEIL-MODULE	2
31.1	308011600	X5M-LOGOTEIL	1
31.2	304031412	X5-LOGOTEIL-HOLDER	1
31.3	313010361	SELF TAPPING SCREW FLAT HEAD/CROSS DRIVES BLACK -3X7	2
32	313010357	KREUZSCHLITZ-LINSENKOPF-M4X08	4
33	207011797	GLP-20088-MODULE	1
33.1	304031597	GLP-10428	1
33.2	304010042	BEARING SS 6810 2RSWR	2
33.3	304031598	X5M-GLP-10422	1
34	207011798	X5M-HALL-PAN-PCB-ASSY	1
35	204052005	X5M-MAINFRAME-2	1
36	308000110	O-RING-7X13X3	1
37	303010195	INBUS-M6X1	1
38	313010156	KREUZSCHLITZ-SENKKOPF-M4X16	6
39	308020080	X5M-BELT-PAN-501	1
40	204052010	X5M-YOKE-SIDECOVER-R	1
41	313010299	SCREW,BLACK HEXAGONAL HEAD M4X10	2
42	207011799	TILI-MOTOR-MODULE	1
43	308040347	X5M-YOKE-HOLDER-SMALL-RUBBER	2
44	304031842	X5M-YOKE-HOLDER-SMALL	2



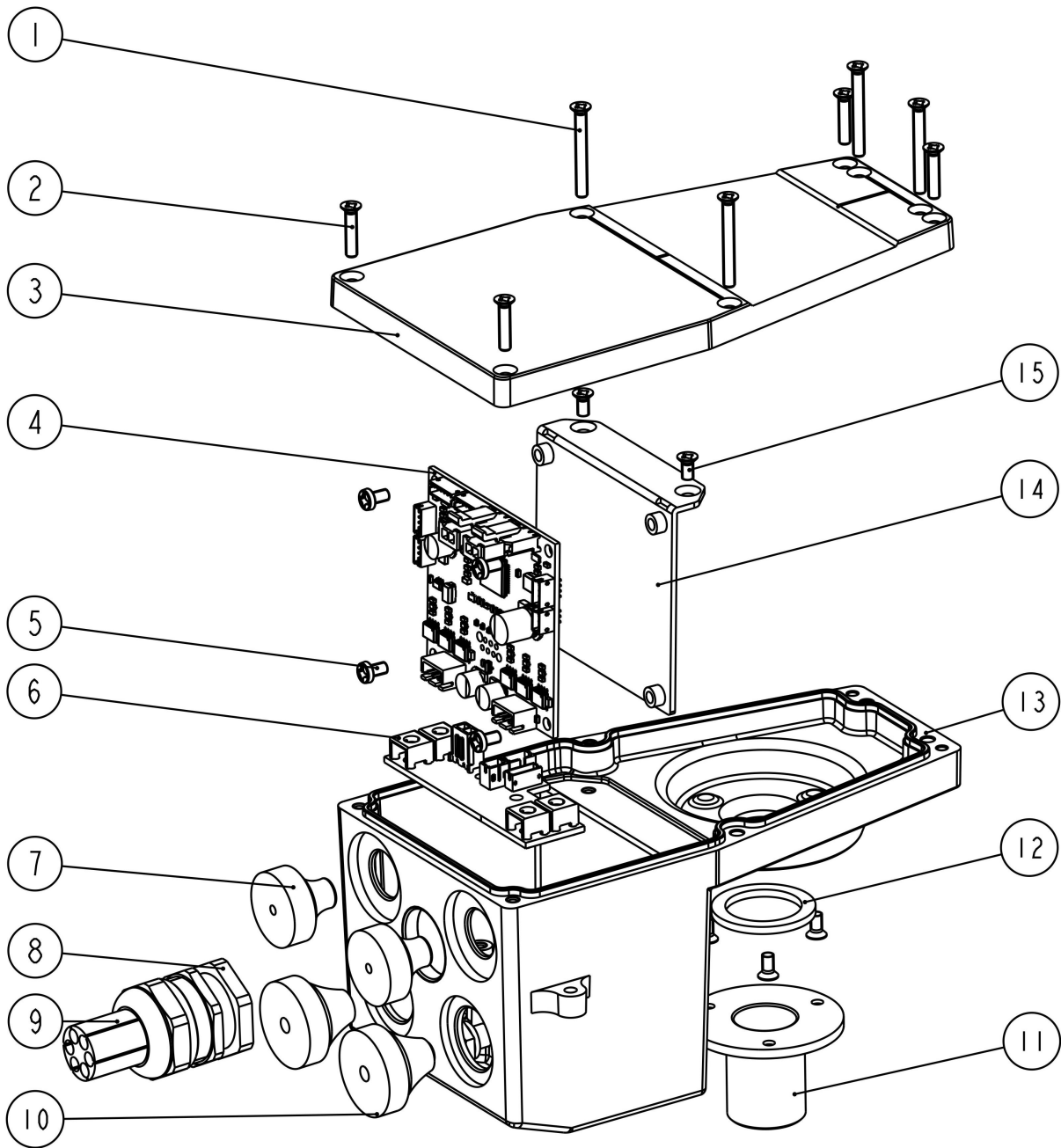
### 3.X5M-YOKE-BOX-ASSEMBLY-LEFT



### 3.X5M-YOKE-BOX-ASSEMBLY-LEFT

POS	CODE	NAME	QUANTITY
1	313010393	KREUZSCHLITZ-SENKKOPF-M3X5	3
2	304031667	OIL-SEAL-TILI-CIRCLE	1
3	308040237	TILT-RUBBER-2-5_	1
4	304031608	X5M-YOKE-PCB-CASE-BOTTOM-LEFT_	1
5	313010235	KREUZSCHLITZ-LINSENKOPF-2X4	1
6	207011811	X5M DISPLAY SCREEN FIXING COMPONENT	1
6.1	308010531	GLP-13132	1
6.2	315006444	UNIVERSAL_ MAINBOARD-COMPACT-G4	1
7	315006424	X5MAXX_ BUTTON_ PCB_ 1_ 1_ 2023-07-3	1
8	207011801	UPPER-COVER-ASSEMBLE	1
8.1	304031607	X5M-YOKE-PCB-CASE-LEFT_	1
8.2	315063010	CNKT0280-20186A11	1
9	313010168	KREUZSCHLITZ-SENKKOPF-M3X8	2
10	313010399	KREUZSCHLITZ-SENKKOPF-M4X25	4
11	315086007	AERIAL	1
12	313010320	LEDHUXIDENG-X4-DOT	1
13	313010366	KREUZSCHLITZ-SENKKOPF-M3X10	5
14	313010153	KREUZSCHLITZ-SENKKOPF-M4X10	1
15	308011611	M20*1.5	1
16	308040255	RUBBER-M20-6	1
17	204052012	X5-MAXX-BATTERY-HOLDER	1
18	306070006	BATTERY-9V	1
19	308040097	40PPI-BATTERY	1
20	308040253	X5M-SILICONE-BUTTON	4
21	204052011	X5M-METAL-BUTTON_	1
22	313010114	KREUZSCHLITZ-LINSENKOPF-M2X5	10
23	303010118	KREUZSCHLITZ-LINSENKOPF-M3X6	2
24	307040787	9V BATTERY CABLE +120	1

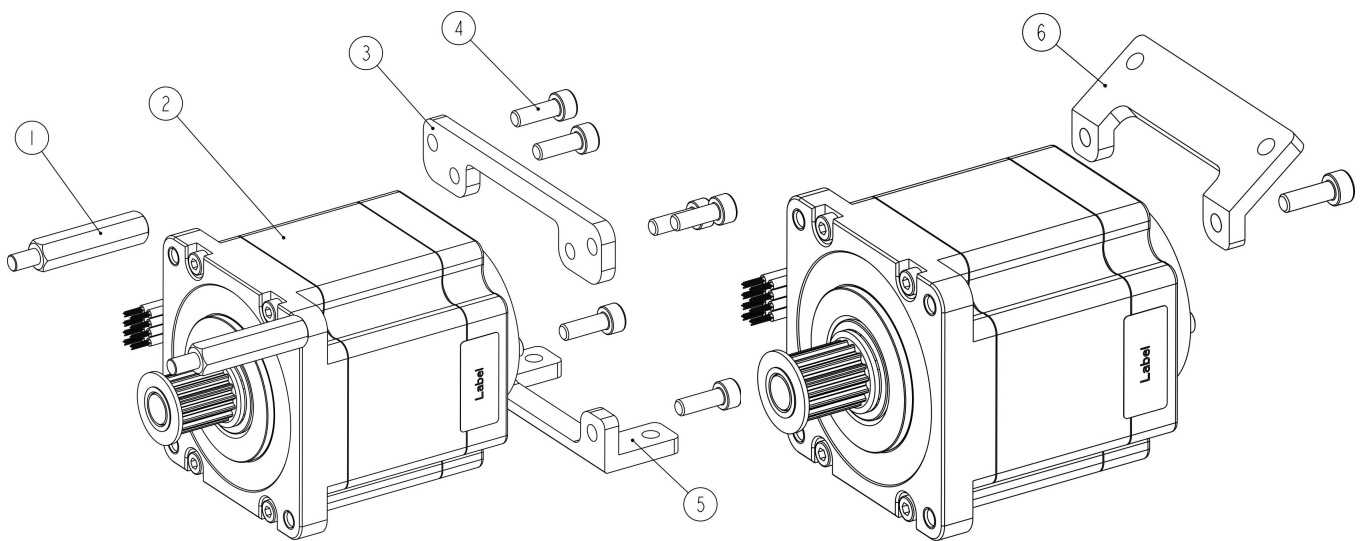
### 4.PAN-BOX-BOTTOM-MODULE-NEW



### 4.PAN-BOX-BOTTOM-MODULE-NEW

POS	CODE	NAME	QUANTITY
1	313010362	KREUZSCHLITZ-SENKKOPF-M3X25	4
2	313010336	KREUZSCHLITZ-SENKKOPF-M3X14	4
3	304031610	X5M-YOKE-BOX-TOP	1
4	315006463	Universal_3Ph-Dual-Driver	1
5	303010133	KREUZSCHLITZ-LINSENKOPF-M3X5	4
6	315006485	X5-Maxx_Arm_Power-Distributor	1
7	308040259	LTG-M12	2
8	308011611	M20*1.5	1
9	308040255	RUBBER-M20-6	1
10	308040260	LTG-M16	2
11	304031669	OIL-SEAL-PAN-CIRCLE	1
12	308040241	PAN-RUBBER-2X2	1
13	304031609	X5M-YOKE-BOX-BOTTOM	1
14	204052013	PCBA-L-XING-HOLDER	1
15	313010169	KREUZSCHLITZ-SENKKOPF-M3X6	2

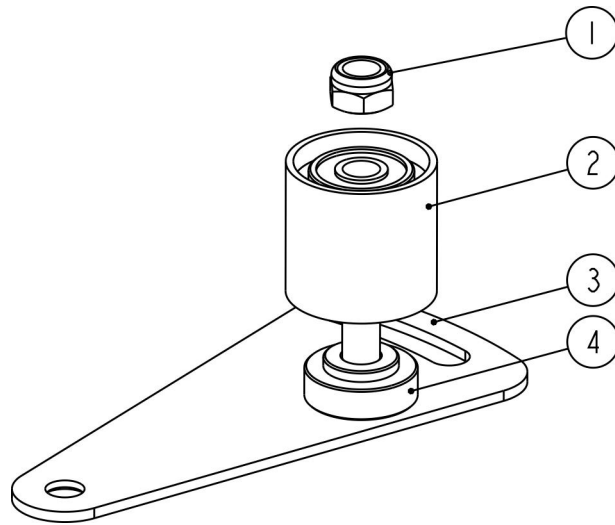
### 5.PAN-MOTOR-MODULE & TILI-MOTOR-MODULE



### 5.PAN-MOTOR-MODULE & TILI-MOTOR-MODULE

POS	CODE	NAME	QUANTITY
1	304031606	SPACER-M4X30-3	2
2	307051157	PL24HC8L3150-06R motor	2
3	304031604	X5M-TILTMOTOR-BRACKET2	1
4	313010004	SCREW,BLACK HEXAGONAL HEAD M4X12	8
5	304031605	X5M-TILTMOTOR-BRACKET1	1
6	304031670	X5M-TILT-MOTOR-BRACKET-1	1

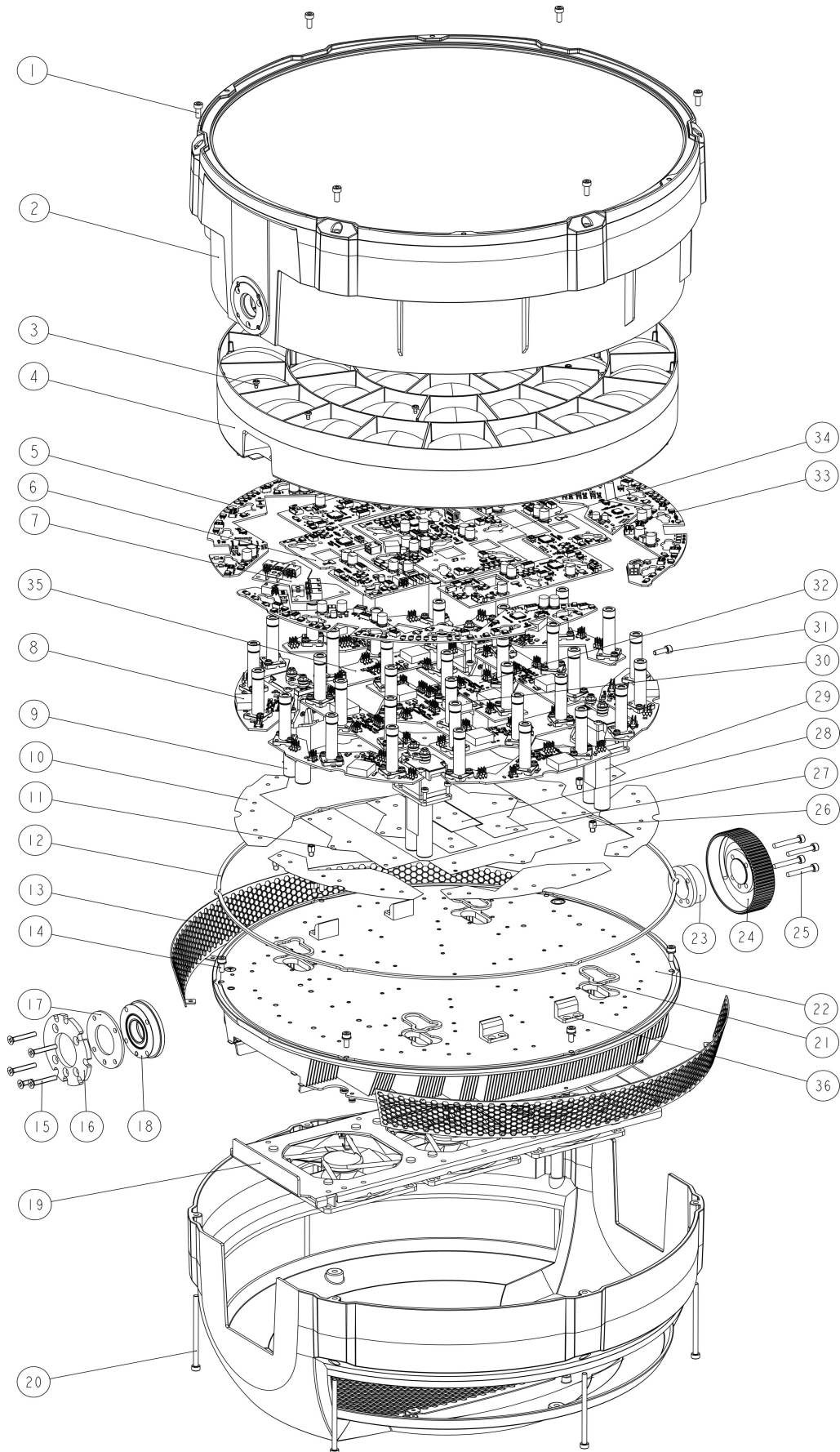
## 6.X5M-TILT-ANDRUCKROLLE-ASSEMBLY



## 6.X5M-TILT-ANDRUCKROLLE-ASSEMBLY

POS	CODE	NAME	QUANTITY
1	313010180	STOPMUTTER-M5	1
2	207011802	X5M-ANDRUCKROLLE-OHNE-MODULE	1
2.1	304031602	X5M-ANDRUCKROLLE-OHNE	1
2.2	304010045	BEARING SS 605 2RSWR	2
3	204052008	WINKEL-ANDRUCKROLLE-X5M-TILT	1
4	304031603	SPACER-ANDRUCKROLLE-X5M	1

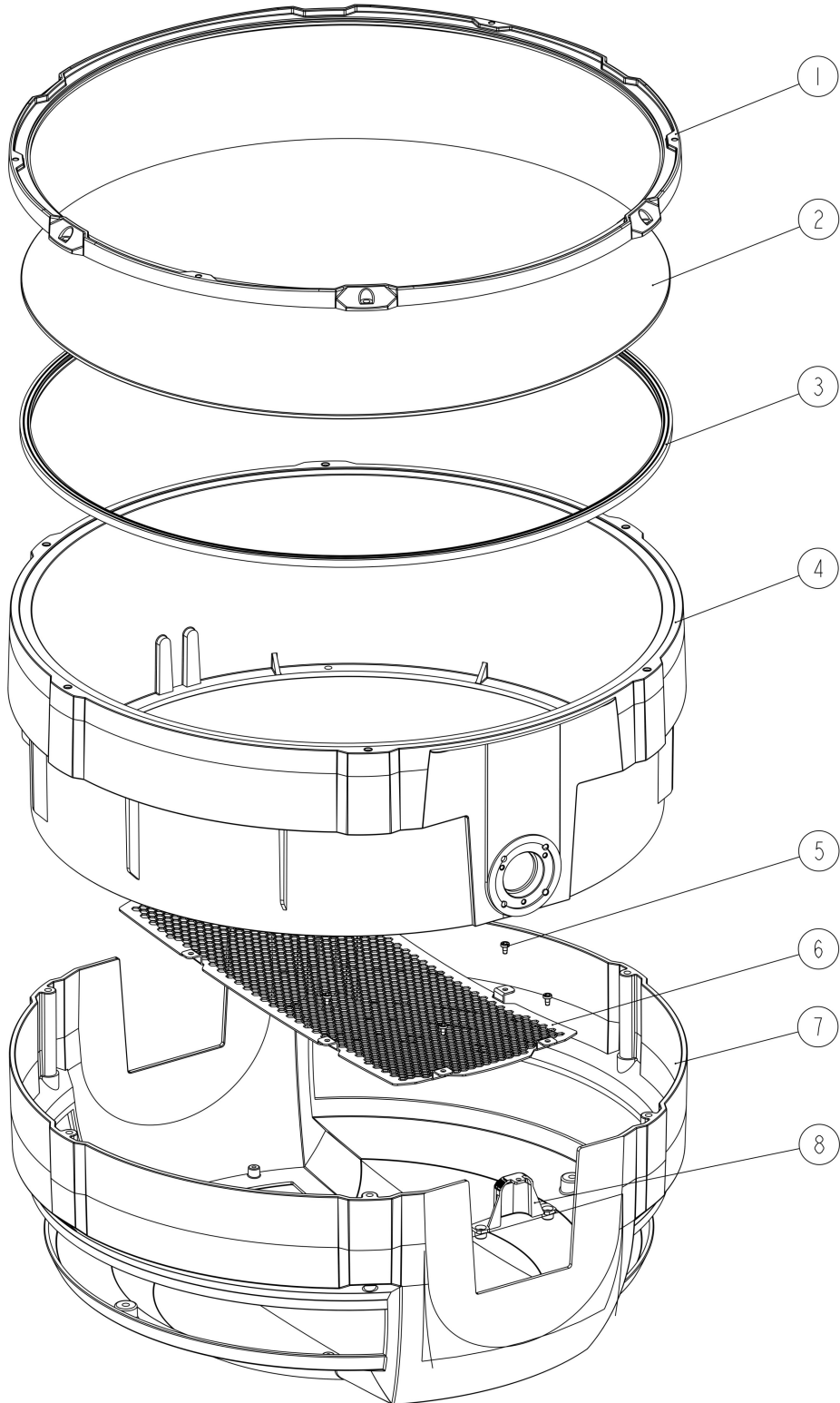
# 7.X5M-HEAD-ASSEMBLY



## 7.X5M-HEAD-ASSEMBLY

POS	CODE	NAME	QUANTITY
1	313010299	SCREW,BLACK HEXAGONAL HEAD M4X10	6
2	207011803	X5L-HEAD-BUCKET1-MODULE	1
3	303010288	KREUZSCHLITZ-BLECHSCHRAUBE-3X5	8
4	207011676	X5L-LENSHOLDER-ASSY	1
5	315006456	X5M_LED-DRIVER-RING3	3
6	315006453	X5-MAXX_LED-DRIVER_RING2	2
7	315006486	X5-MAXX__HEAD_POWER-DISTRIBUTOR	1
8	315006460	IMPRESSION X5 MAXX_THIRD-RING	6
9	207011804	X5L-ZOOM-ACTUATOR	2
10	308040199	X5_MAXX_THIRD-RING_1-SINK	6
11	308040200	X5_MAXX_SECOND-RING-SINK	4
12	308040240	X5L-HEATSINK-RUBBER	1
13	204051996	X5M-GITTER	2
14	313010328	SCREW,BLACK HEXAGONAL HEAD M4X10	6
15	313010401	KREUZSCHLITZ-SENKKOPF-M4X23	4
16	204052003	X5M-GLP-10350	1
17	204052002	GLP-10352	1
18	207011805	X5-MAXX-HEAD-COMNECTION	1
18.1	304031592	X5M-GLP-11351	1
18.2	304010046	BEARING6804Z-20-32-7	1
19	207011806	X5L-HEAD-FAN-ASSY	1
20	313010356	SCREW,BLACK HEXAGONAL HEAD M4X70	6
21	308040197	X5L-ZOOM-ORING-SEAL	4
22	304031583	X5L-HEATSINK	1
23	304031590	X5M-GLP-11351-LEFT	1
24	207011807	X5M-PULLEY-TILT-80-MODULE	1
24.1	304031591	X5M-PULLEY-TILT-80	1
24.2	304030081	MAGNET-1-34	1
25	313010360	SCREW,BLACK HEXAGONAL HEAD M4X25	4
26	304031617	SPACER-M3X5-5-IN-OUT	8
27	308000401	X5_FIRST-RING-RGBL-FOR-SINK	2
28	308000402	X5_MID_LED-RGBL-FOR-SINK	1
29	207011808	X5L-ZOOM-ACTUATOR	2
30	315006056	X5-LED-CENTER	1
31	313010004	SCREW,BLACK HEXAGONAL HEAD M4X12	1
32	315006055	X5_LED-PCB_FIRST-RING	2
33	315006450	X5-MAXX_FAN-DRIVER_HEAD	1
34	315006488	X5-LED-DRIVER-CENTER	1
35	315006458	X5 MAXX_SECOND-RING LED-PCB	4
36	304031843	X5M-L-XING-LIMIST	4

## 8.X5L-HEAD-COVER-ASSEMBLY

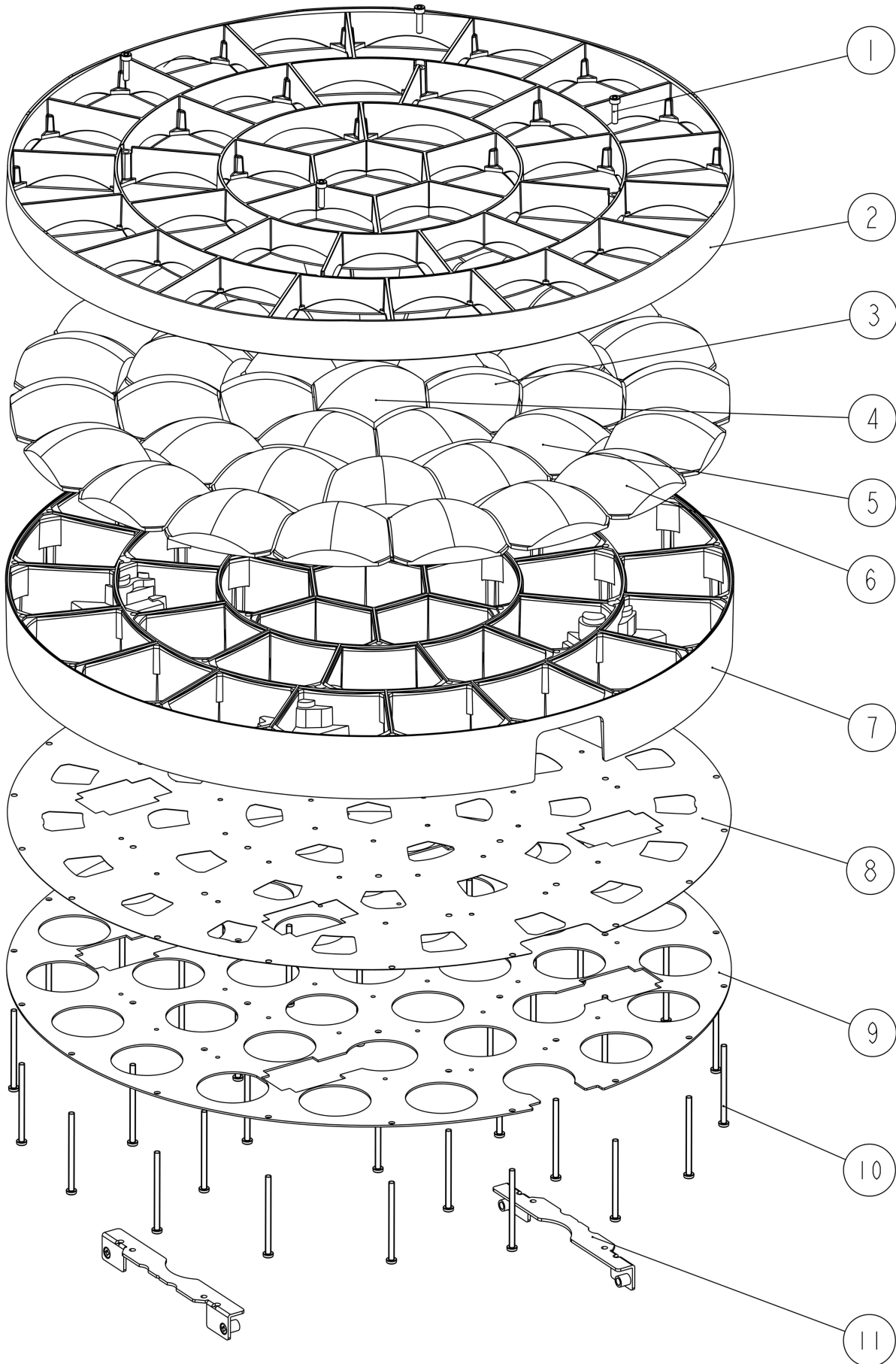




**8.X5L-HEAD-COVER-ASSEMBLY**

POS	CODE	NAME	QUANTITY
1	304031588	X5L-HEAD-FRONTRING	1
2	309020177	X5L-HEAD-WINDOW	1
3	308040198	X5L-HEAD-GLASS-GASKET	1
4	207011809	X5L-HEAD-BUCKET1-MODULE	1
4.1	304031587	X5L-HEAD-BUCKET1	1
4.2	308040238	OIL-SEAL-X5-MAXX-20X30X7	1
4.3	204052085	OIL-SEAL-TILI-COVER	1
4.4	313010169	KREUZSCHLITZ-SENKKOPF-M3X6	3
5	313010064	KREUZSCHLITZ-BLECHSCHRAUBE-3X6	8
6	204052001	X5M-HEAD-BACK-GITTER	1
7	308011596	X5L-HEAD-BACKCOVER	1
8	304031589	X5M-CABLEGUIDE-HEAD	1

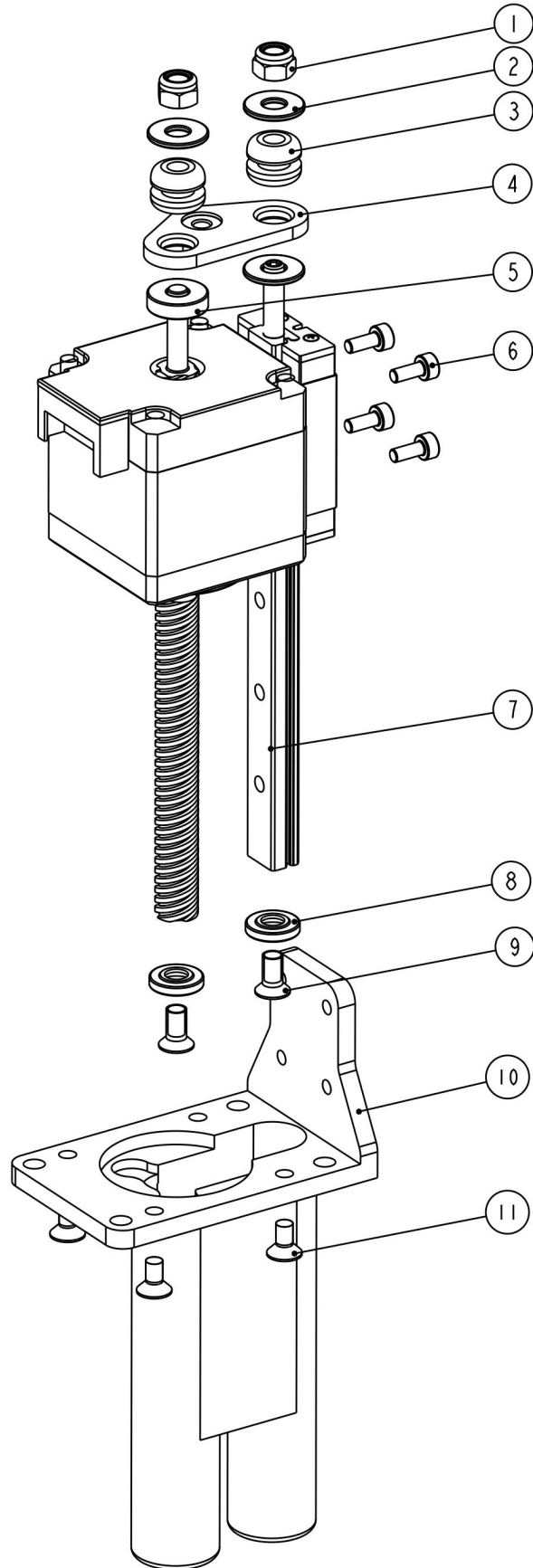
## 9. X5L-LENSHOLDER-ASSEMBLY



**9.X5L-LENSHOLDER-ASSEMBLY**

POS	CODE	NAME	QUANTITY
1	313010165	SCREW,BLACK HEXAGONAL HEAD M3X12	4
2	308011594	X5L-LENSHOLDER-FRONT	1
3	308030064	LENS-RING1	6
4	308030101	LENS-CENTER	1
5	308030066	LENS-RING-2-UNCUT	12
6	308030090	LENS-RING-3-UNCUT	18
7	308011595	X5L-LENSHOLDER-BACK	1
8	204051998	X5L-LENSHOLDER-SCREEN-1	1
9	204051999	X5L-LENSHOLDER-SCREEN-2	1
10	313010285	KREUZSCHLITZ-LINSENKOPF-M3X45	32
11	207011810	ZOOM-MAGNET-MODULE	2
11.1	304030081	1-34	2
11.2	304030150	2-32	2
11.3	204052083	X5-MAXX-MAGNET-HOLDER-TOP	1

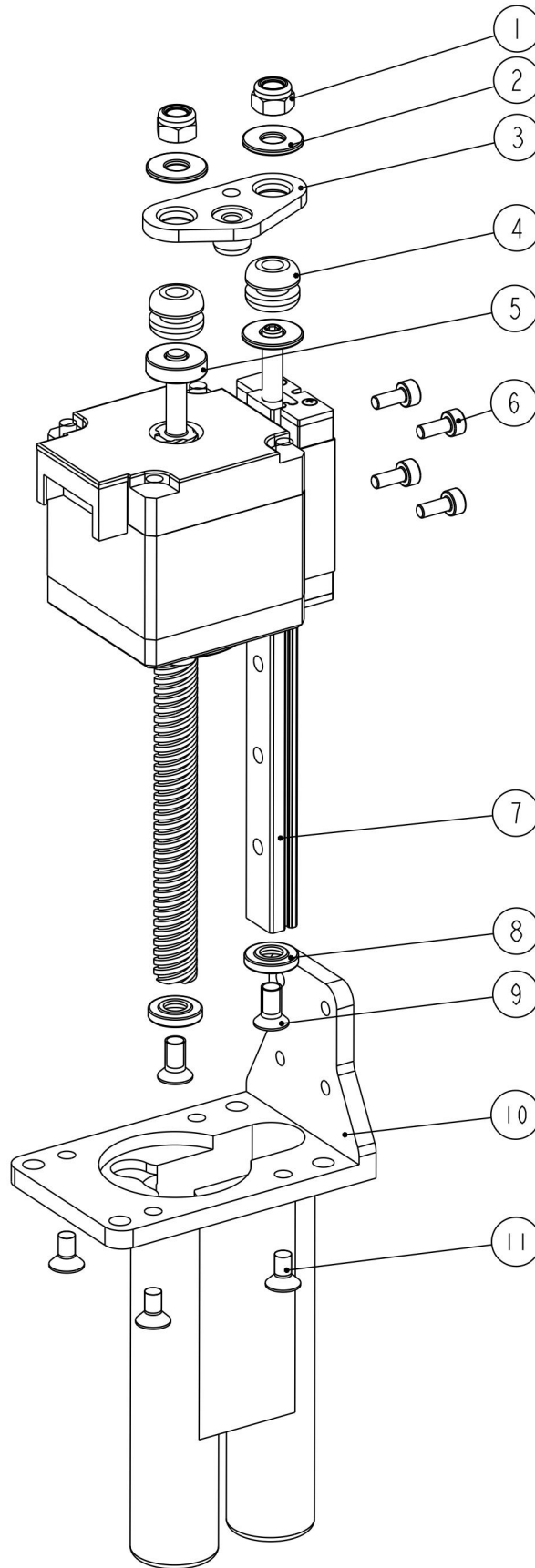
# 10.X5L-ZOOM-ACTUATOR-MI



**10.X5L-ZOOM-ACTUATOR-MI**

POS	CODE	NAME	QUANTITY
1	303010315	STOPMUTTER-M3	2
2	303020018	U-SCHEIBE-M3	3
3	308000073	HG-2-GROMMET	2
4	204051997	X5M-ZOOM-ADAPTORPLATE	1
5	304031585	U-SCHEIBE-M3-DICK	1
6	313010375	SCREW,BLACK HEXAGONAL HEAD M2X4.5	4
7	304040005	X5M-MGN-7-RAIL	1
8	304031586	X5L-ZOOMANSCHLAG	2
9	303010130	KREUZSCHLITZ-SENKKOPF-M3X6	2
10	304031584	X5L-ZOOM-NC-1	1
11	303010143	KREUZSCHLITZ-SENKKOPF-M2-5X5	4

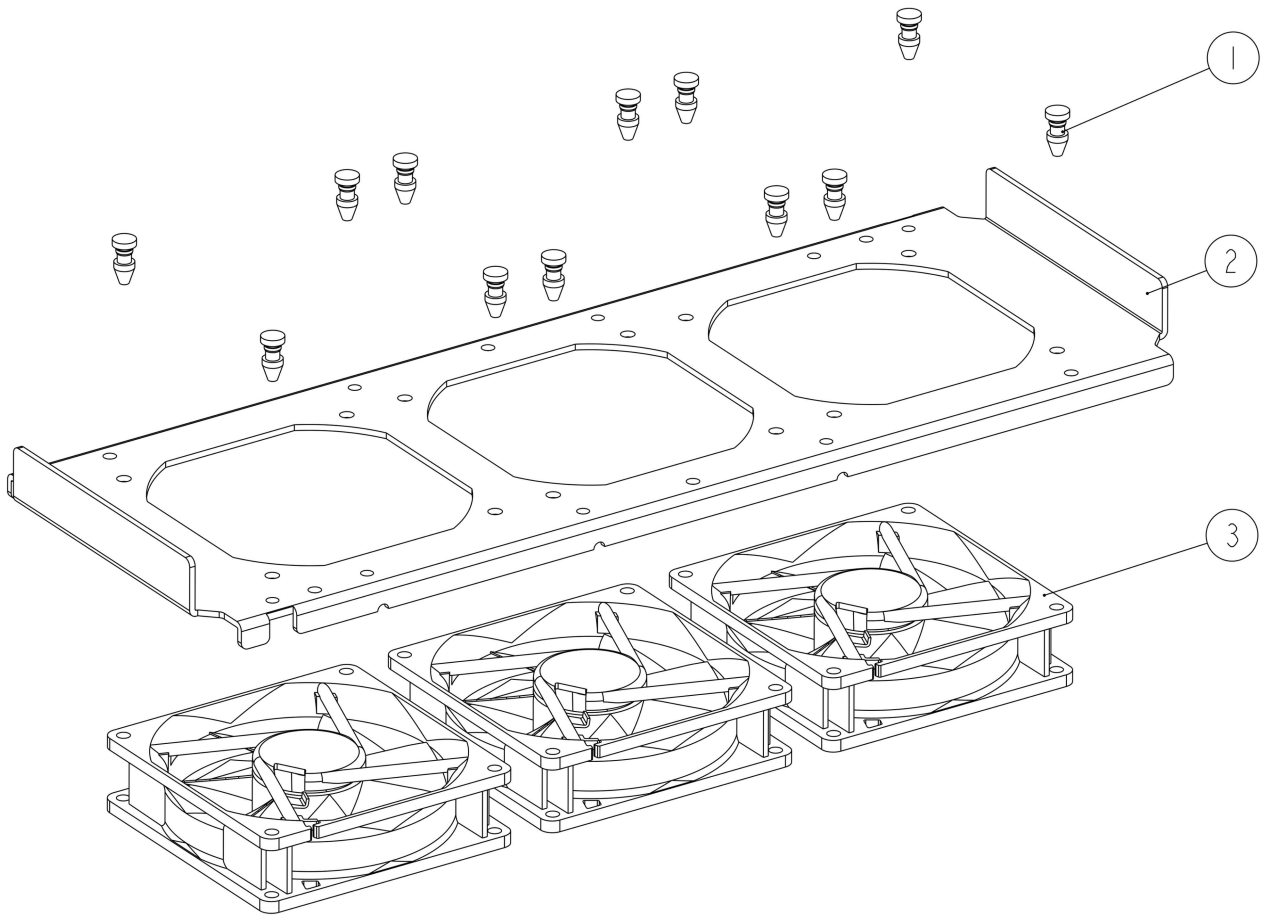
# 11. X5L-ZOOM-ACTUATOR



## 11. X5L-ZOOM-ACTUATOR

POS	CODE	NAME	QUANTITY
1	303010315	STOPMUTTER-M3	2
2	303020018	U-SCHEIBE-M3	3
3	204052082	X5M-ZOOM-ADAPTORPLATE-M	1
4	308000073	HG-2-GROMMET	2
5	304031585	U-SCHEIBE-M3-DICK	1
6	313010375	SCREW,BLACK HEXAGONAL HEAD M2X4.5	4
7	304040005	X5M-MGN-7-RAIL	1
8	304031586	X5L-ZOOMANSCHLAG	2
9	303010130	KREUZSCHLITZ-SENKKOPF-M3X6	2
10	304031584	X5L-ZOOM-NC-1	1
11	303010143	KREUZSCHLITZ-SENKKOPF-M2-5X5	4

## 12.X5L-HEAD-FAN-ASSEMBLY

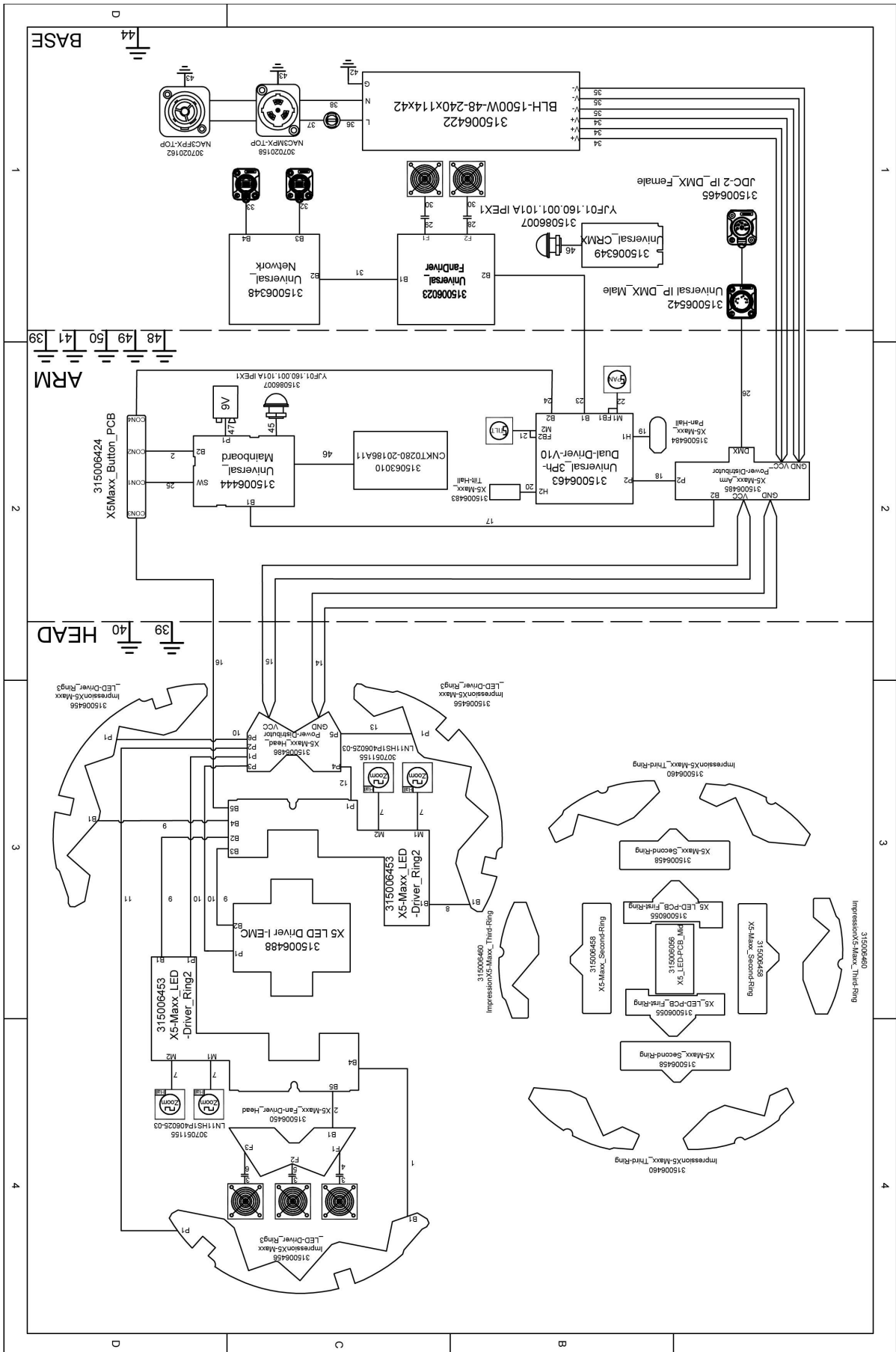


## 12.X5L-HEAD-FAN-ASSEMBLY

POS	CODE	NAME	QUANTITY
1	308000113	BUB-35G	12
2	204052000	40W-FANHOLDER	1
3	307061256	X5M HEAD FAN+40MM	3



# 13. Wiring Diagram



## 13.Wiring Diagram

POS	CODE	NAME	QUANTIT Y
1	307041654	X5M_LED-DRIVER_RING2 B4 TO X5M_LED-DRIVER_RING3 B1+230MM	1
2	307041655	X5M_LED-DRIVER_RING2 B5 TO X5M_FAN-DRIVER_HEAD B1+50MM	2
3	307061256	JDC2 HEAD FAN+40MM	3
4	307041609	JDC2 HEAD FAN TO F3+200MM	1
5	307041610	JDC2 HEAD FAN TO F2+280MM	1
6	307041611	JDC2 HEAD FAN TO F1+380MM	1
7	307041661	X5M HEAD ZOOM MOTOR TO X5M_LED-DRIVER_RING2 M1_M2+60MM	4
8	307041653	MAXX_LED-DRIVER_RING2 B1 TO MAXX_LED-DRIVER_RING3 B1+140MM	1
9	307041652	X5M_LED-DRIVER_RING2 B2_B3_B4 TO X5M_LED-DRIVER_RING2 B1 OR LED-DRIVER_RING3 B1+70MM	3
10	307041649	X5M_HEAD_POWER-DISTRIBUTOR P1_P3_P6 TO X5M_LED-DRIVER_RING2 P1 OR X5M_LED-DRIVER_RING3 P1+80MM	3
11	307041648	X5M_HEAD_POWER-DISTRIBUTOR P2 TO X5M_LED-DRIVER_RING3 P1+280MM	1
12	307041650	X5-MAXX_HEAD_POWER-DISTRIBUTOR P4 TO X5M_LED-DRIVER_RING2 P1+220MM	1
13	307041651	X5-MAXX_HEAD_POWER-DISTRIBUTOR P5 TO X5M_LED-DRIVER_RING3 P1+350MM	1
14	307041657	X5-MAXX_HEAD_POWER-DISTRIBUTOR GND TO X5-MAXX_ARM_POWER-DISTRIBUTOR GND+820MM	2
15	307041656	X5-MAXX_HEAD_POWER-DISTRIBUTOR VCC TO X5-MAXX_ARM_POWER-DISTRIBUTOR VCC+820MM	2
16	307041662	X5M_LED-DRIVER_RING2 B5 TO X5-MAXX_BUTTON CON3+280MM	1
17	307041665	X5M UNIVERSAL_MAINBOARD-COMPACT B2 TO X5-MAXX_ARM_POWER-DISTRIBUTOR B3+700MM	1
18	307041670	X5M UNIVERSAL_3PH-DUAL-DRIVER P2 TO X5-MAXX_ARM_POWER-DISTRIBUTOR P2+70MM	1
19	307041668	X5M UNIVERSAL_3PH-DUAL-DRIVER H1 TO BASE HALL+420MM	1
20	307041669	X5M UNIVERSAL_3PH-DUAL-DRIVER H2 TO ARM HALL+420MM	1
21	307041667	X5M MOTOR TO UNIVERSAL_3PH-DUAL-DRIVER M2 AND FB2+240MM	1
22	307051160	X5 MAXX BASE MOTOR+480MM	1
23	307051161	X5 MAXX ARM MOTOR+240MM	1
24	307041664	X5-MAXX_BUTTON_PCB CON4 TO UNIVERSAL_3PH-DUAL-DRIVER B2+650MM	1

25	307041663	X5-MAXX_BUTTON_PCB CON1 MAIN SW	1
26	307041671	X5-MAXX_ARM_POWER-DISTRIBUTOR DMX TO FEMALE_DMX_P1+400MM	1
27	307041672	X5M DMX_MALE P2 TO DMX_FEMALE P1+200MM	1
28	307041673	X5M BOTTOM FAN TO BASE_FANDRIVER+200MM	1
29	307041674	X5M BOTTOM FAN TO BASE_FANDRIVER+220	1
30	307060015	560600016/KDE1204PFV2+SPOT	2
31	307041678	X5M BASE FANDRIVER TO B1 UNIVERSAL_NETWORKINTERFACE B2+150MM	1
32	307041676	X5 MAXX UNIVERSAL_NETWORKINTERFACE B3 TO NETWORK+170MM	1
33	307041675	X5 MAXX UNIVERSAL_NETWORKINTERFACE B4 TO NETWORK+210MM	1
34	307041659	X5-MAXX_ARM_POWER-DISTRIBUTOR GND TO PSU V- +450MM	2
35	307041658	XX5-MAXX_ARM_POWER-DISTRIBUTOR VCC TO PSU V+ +450MM	2
36	307041681	X5M FUSE TO PSU_L+280MM	1
37	307041679	X5M PWOERCON_MALE_L TO FUSE AND PWOERCON_FEMALE_L+150MM+190MM	1
38	307041680	X5M PWOERCON_MALE_N TO PSU_N AND PWOERCON_FEMALE_N+240MM+200MM	1
39	307041682	X5M HEAD PE+100MM	2
40	307041686	X5M HEAD TO ARM PE+180MM	1
41	307041687	X5M ARM TO BASE PE+300MM	1
42	307041684	X5M PSU TO PE+240MM	2
43	307041685	X5M POWERCON PE +80MM	1
44	307041683	X5M BASE TO BOTTOM PE+200MM	1
45	315086007	YJF01.160.001.101A IPEX1	2
46	315063010	CNKT0280-20186A11	1
47	307040787	S350 9V BATTERY CABLE +120	1
48	307041453	X5 IP BAR FRONT COVER TO BACK COVER PE+200MM	1
49	307041528	X5 BAR FLOOR TO PSU PE +110MM	1