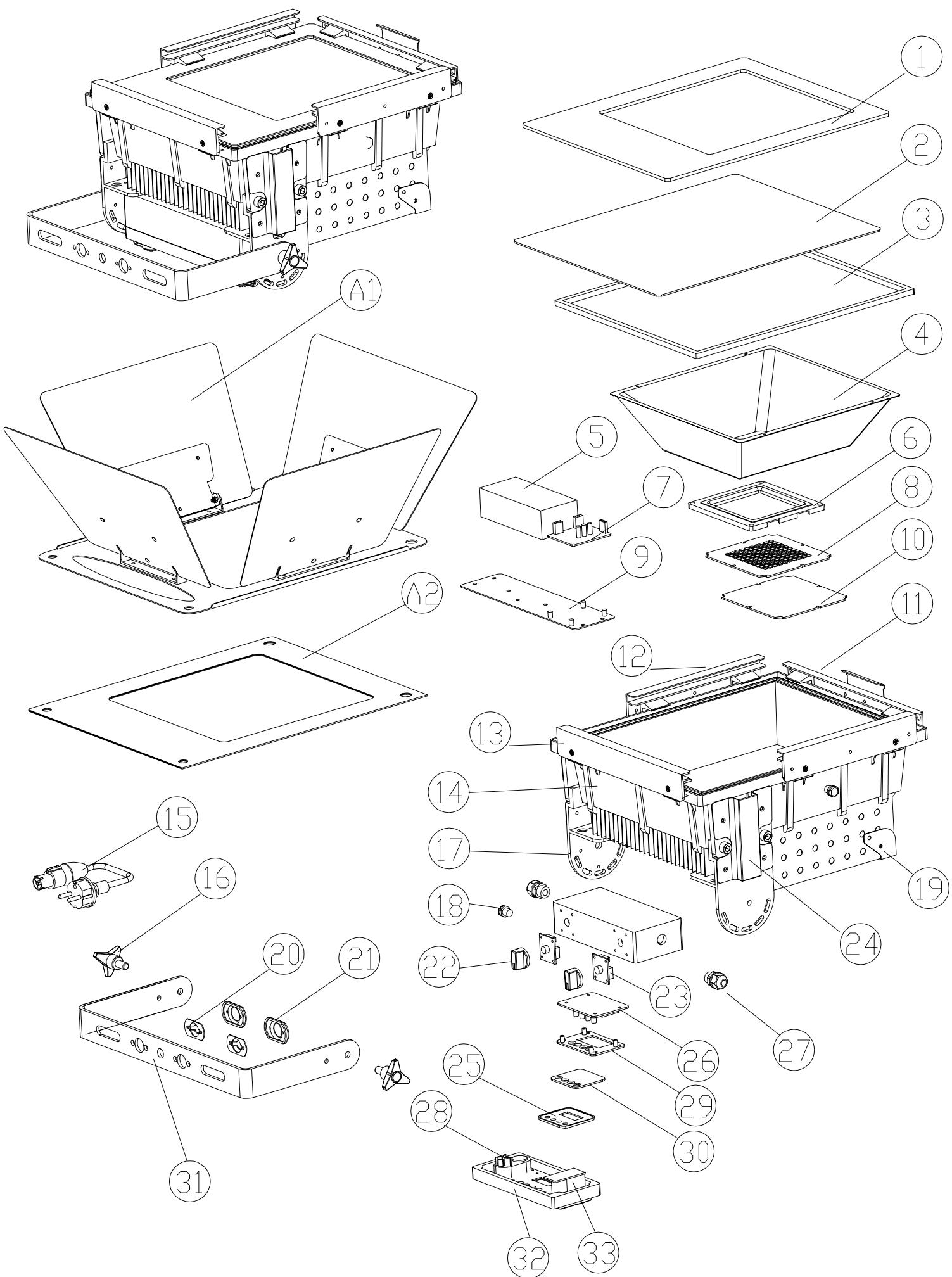
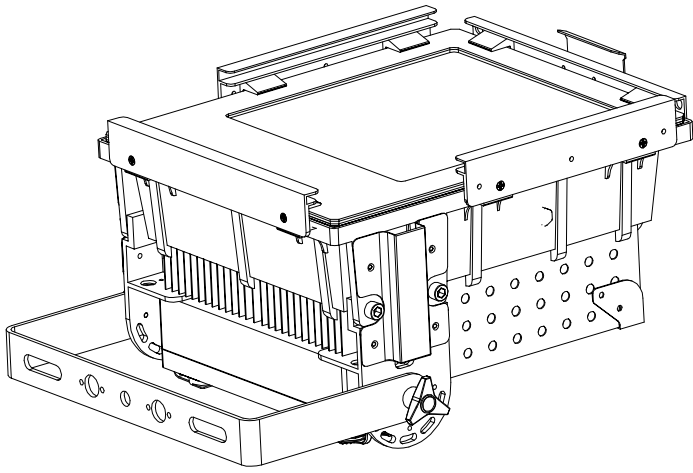


MBL20

Exploded drawing



MBL20



Spare parts

NO.	P.NO.	Description	Qty.
1	K602000	Tempered glass	1
2	P801002	Diffusion filter	1
3	P801003	Silicon seal	1
4	H201001	Reflector	1
5	E501001	PSU	1
6	P801004	Led pcb holder	1
7	E501002	Driver PCB	1
8	E501003	Led PCB	1
9	H201002	PSU holder	1
10	K602002	Heat transfer pad	1
11	H201003	Brandoor holder_1	1
12	H201004	Brandoor holder_2	2
13	H201005	Brandoor holder_3	1
14	H201006	Main housing	1
15	E501004	Main cable	1
16	P801005	Knob	2
17	H201007	Bracket holder	2
18	P801006	Breather valve	2

NO.	P.NO.	Description	Qty.
19	H201008	Protection pin	1
20	H201009	1/4 lock mount	2
21	P801007	cover 1/4 lock mount	2
22	P801010	Knob for CCT	2
23	E501007	Knob PCB	2
24	H201012	Protection cable	2
25	P801008	Seal for display	1
26	E501005	Main PCB	1
27	H201013	M16 gland	4
28	E501006	5PIN XLR,in/out	1
29	H201014	Main PCB holder	1
30	P801009	Acrylic for display	1
31	H201014	Omega bracket	1
32	H201015	Housing for main PCB	1
33	E501008	PowerCON TRUE1	1
Accessory			
A1	H201016	Barndoor	1
A2	H201017	Alu gel frame	1