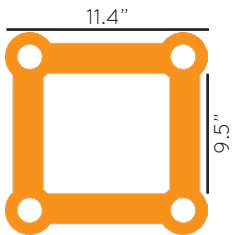
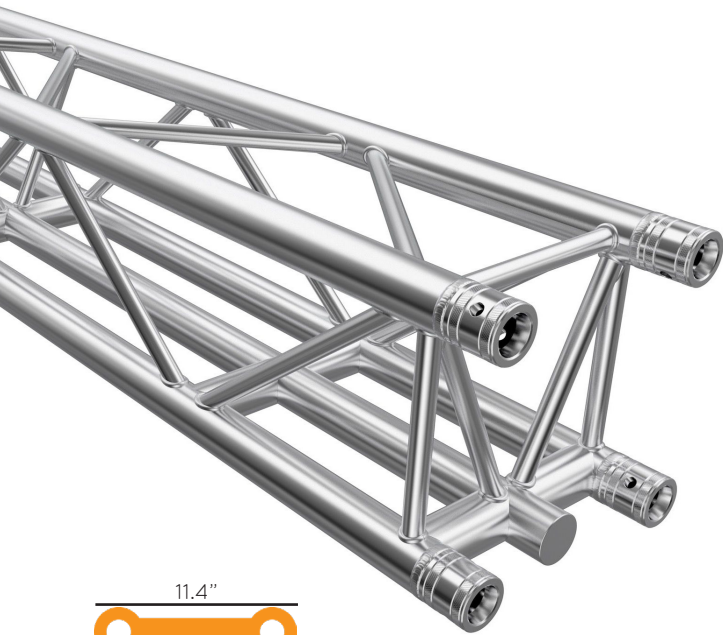


F35



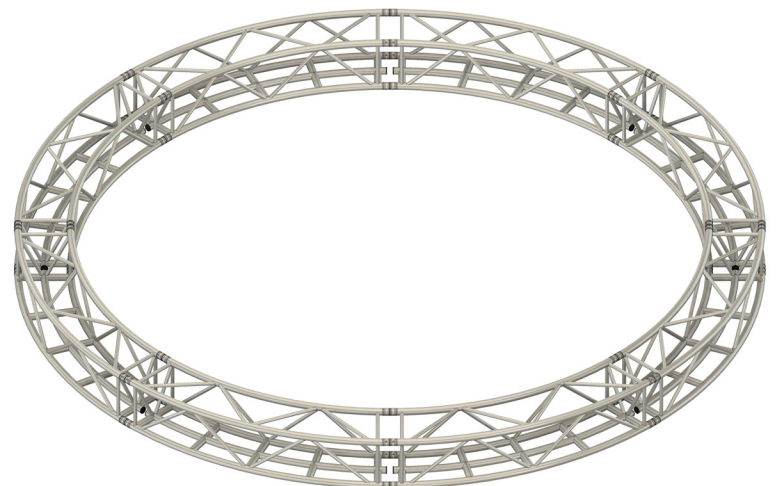
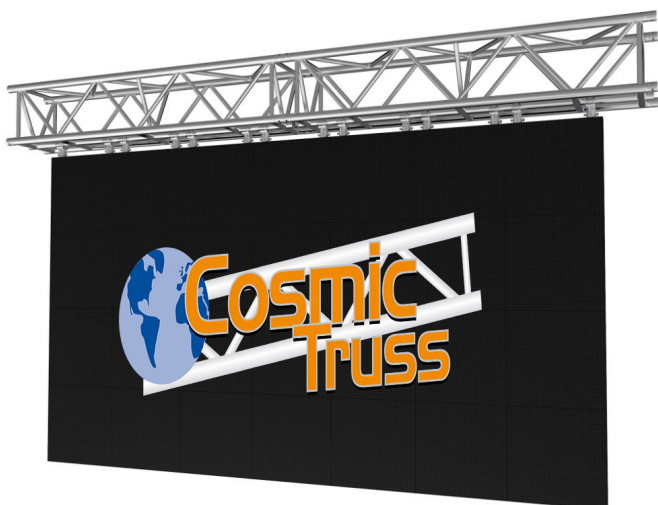
The F35 truss is based on the F34 truss system and is specifically designed for applications with video wall panels. A balanced center rigging point is implemented on the bottom face of the truss.

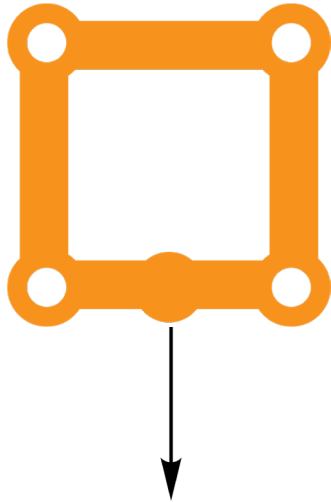
This allows LED panels to be clamped directly onto the center pipe itself negating the need to sling or brace across a traditional square truss. As well as providing a central rigging point, for gear and equipment.

Further horizontal ladder style braces are added to provide extra strength and additional hanging space.

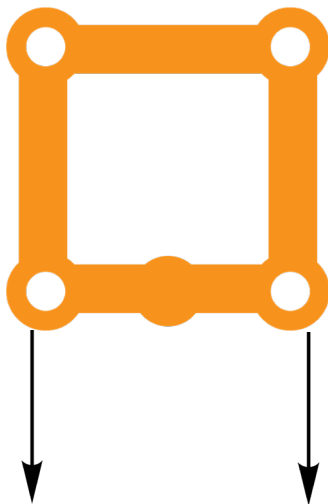
Technical Data

Pipe diameter:	1.96"
Wall thickness:	0.16"
Material:	AlMgSi F31
Connectors:	Included





Span	Uniform distribution load	Deflection	Third point load	Deflection	Center point load	Deflection
Feet	Pounds/ft	Inches	Pounds	Inches	Pounds	Inches
13.1	343	0.3	1764	0.3	1764	0.2
16.4	273	0.6	1764	0.6	1764	0.4
19.7	227	1	1764	1.1	1764	0.6
23	193	1.6	1625	1.6	1764	1
26.2	168	2.3	1446	2.1	1764	1.5
29.5	136	3	1298	2.7	1764	2.2
32.8	109	3.8	1174	3.4	1643	2.8
36.1	85	4.3	1069	4.2	1487	3.5
39.4	63	4.7	916	4.7	1354	4.2
42.7	48	5.1	756	5.1	1238	5
45.9	37	5.5	627	5.5	1067	5.5
49.2	29	5.9	521	5.9	887	5.9
52.5	22	6.3	432	6.3	736	6.3



Span	Uniform distribution load	Deflection	Third point load	Deflection	Center point load	Deflection
Feet	Pounds/ft	Inches	Pounds	Inches	Pounds	Inches
13.1	343	0.3	2252	3.4	3736	0.4
16.4	273	0.6	2116	0.7	3122	0.6
19.7	227	1	1844	1.1	2668	0.9
23	193	1.6	1625	1.6	2322	1.3
26.2	168	2.3	1446	2.1	2048	1.7
29.5	136	3	1298	2.7	1827	2.2
32.8	109	3.8	1174	3.4	1643	2.8
36.1	85	4.3	1069	4.2	1487	3.5
39.4	63	4.7	916	4.7	1354	4.2
42.7	48	5.1	756	5.1	1238	5
45.9	37	5.5	627	5.5	1067	5.5
49.2	29	5.9	521	5.9	887	5.9
52.5	22	6.3	432	6.3	736	6.3