

Instruction Manual

impression[®]
X4 XL



from software version: Field Test

e-mail: service@glp.de
Internet: <http://www.glp.de>

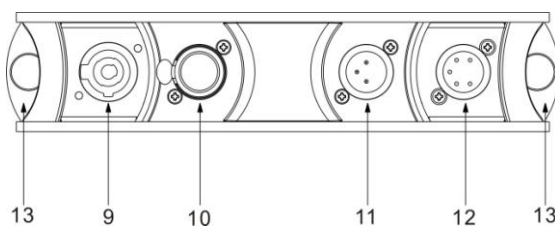
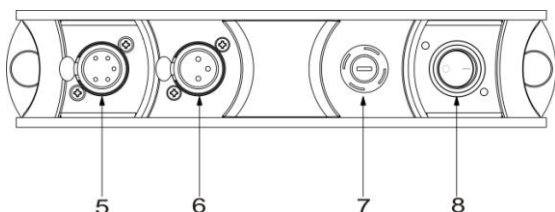
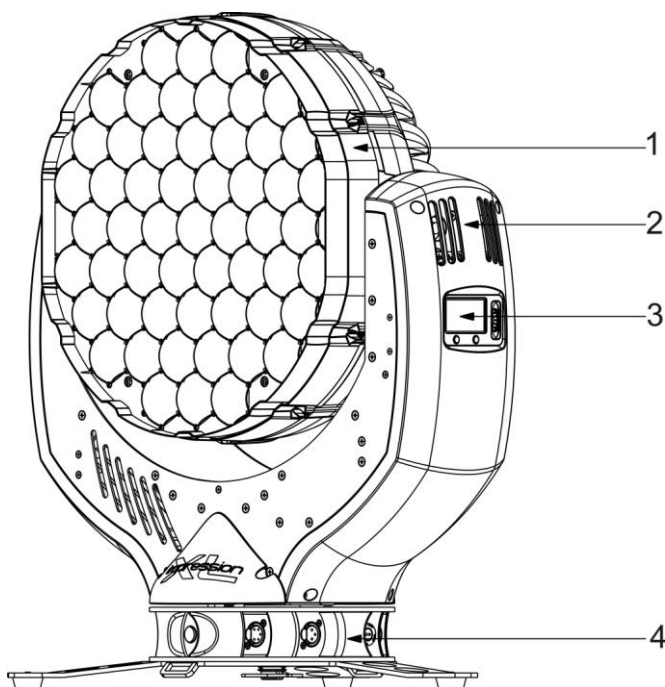
Notes:

Table of contents

1	Description of Device	4
1.1	Safety Instructions	5
2	Preparation and Installation	6
2.1	Safety information	6
2.2	Mounting	7
2.2.1	<i>Mounting on the Floor (upright)</i>	8
2.2.2	<i>Mounting in hanging position (Head down) (Head down)</i>	9
2.3	Securing the Fixture.....	9
2.4	Connections.....	10
2.4.1	<i>Power Supply</i>	10
2.4.2	<i>DMX</i>	10
3	The Menu Field	10
4	DMX Channel Selection (DMX Protocol)	13
4.1	Normal-Mode (26 DMX channels)	13
4.2	Compress-Mode (14 DMX channels).....	15
4.3	High Resolution/Extended-Mode (27 DMX Channels).....	16
5	Maintaining and Cleaning	18
5.1	Safety regulations	18
5.2	Maintenance and Interval (rule-of-thumb).....	18
6	Technical Specifications	19
7	Dimensions	20
8	Index	21

1 Description of Device

1. Moving head (actively and passively cooled)
2. Arm with various cooling vents
3. LCD-Display/Menu (data entry)
4. Base with various connectors and Camlock mounting system



5. DMX- Output (5 pin)
6. DMX- Output (3 pin)
7. Micro-fuse: 5 x 20mm, T12A
8. Power Switch
9. Neutrik Powercon (Mains power input)
10. Blank panel (primed for Ethernet)
11. DMX- Input (3 pin)
12. DMX- Input (5 pin)
13. 2x Safety wire points

Note: Only connect one cable to the DMX Input / Output at the same time!

1.1 Safety Instructions



The **IMPRESSION X4XL** is a High-Tech Product. To guarantee a smooth operation, it is necessary to respect the following rules. The manufacturer of this device will not take responsibility for damages through any disregard of the information provided in this manual. Warranty claims also will be voided in the case that the fixture housing is opened.

1. Before powering on the fixture, make sure that the fixtures fans and air inlets are clean and not blocked.
2. Ensure that the fixture head can rotate unhindered throughout its complete range of pan and tilt movement. A safety distance of at least 0.5 m must be maintained between the fixture and any easily inflammable material (e.g. decoration material).
3. **Attention!** Don't touch the fixture during the operation. This can cause injuries and/or damages.
4. **The fixture doesn't contain any user serviceable parts. Opening the fixture will void all warranties.**
5. It is necessary to wait at least 15 minutes after disconnecting the mains power before handling the fixture.. Pay attention to possible hot parts of the fixture.
-- Danger of BURNING --
6. **Never look directly into the beam of light or into one of the LEDs.** Never use optical apertures to observe the beam of light. **LED Class 2M.** You'll risk serious injury of your eyes and in particular of your retina.



Attention: LED Class 2M can cause injuries of your eyes even without optical instruments in front of them or within a distance of less than 0.5m and short exposure time.

Hence: Avoid direct radiation into your eyes!

7. To ensure safe operation, follow also the Installation guide described in chapter 2. Operating the **IMPRESSION X4XL** without suitable safety aids like Safety cables or clamps/hooks can increase the risk of an accident and must be avoided.
8. Repair, maintenance, and installation work shall be done by qualified or GLP certified staff only. You need to pay attention to the common rules of technology that are not explicitly mentioned in this manual.
9. Use only original GLP spare parts. Any structural modification of the system will terminate all warranty claims.
10. Please keep this instruction manual for future reference.

2 Preparation and Installation

2.1 Safety information

The **IMPRESSION X4XL** fixture from GLP is fitted with a number of plano-convex lenses in a highly efficient collimator cluster. This type of lens can act as a strong magnifying glass.

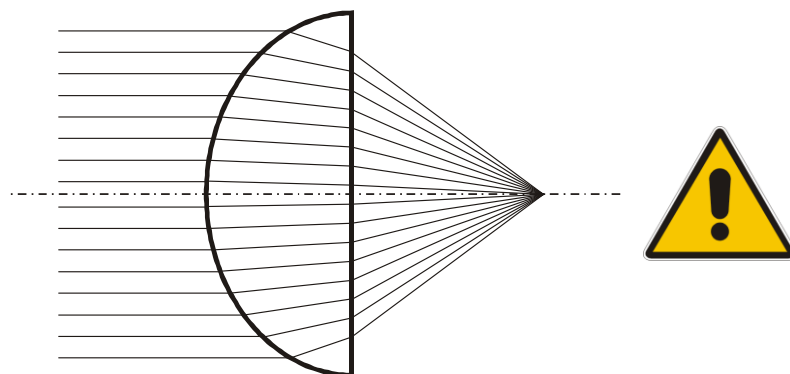
If the rays from a strong light source (such as the sun or another lighting fixture) are directed towards the front of any of these fixtures, then internal damage may occur. In a worst case scenario with a high power light source this can happen very quickly, damaging the fixture internally, potentially melting components or causing an internal fire within seconds.

In order to avoid these possible problems please adhere to the following requirements:

- Do not expose the front of a fixture to direct sunlight or any other strong light sources.
- For outdoor applications during daylight make sure that the front face of any fixture is either shielded or points away from the sun, even when fixtures are not in use.
- Do not modify the front glass or lenses of any fixture.

These requirements have to be followed regardless of whether a fixture is powered on or off as the magnifying effect is an optical effect and therefore independent from the (electrical) state of the fixture.

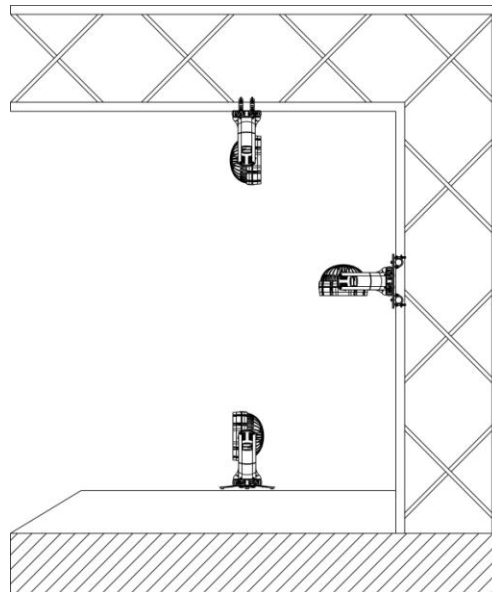
Especially when working with high powered **beam-lights**; extreme caution and observance of these safety instructions is mandatory.



Should you have any questions about the operation of your fixture then please contact your local GLP office, or their authorized distributor, a list of which can be found at <http://www.glp.de>.

2.2 Mounting

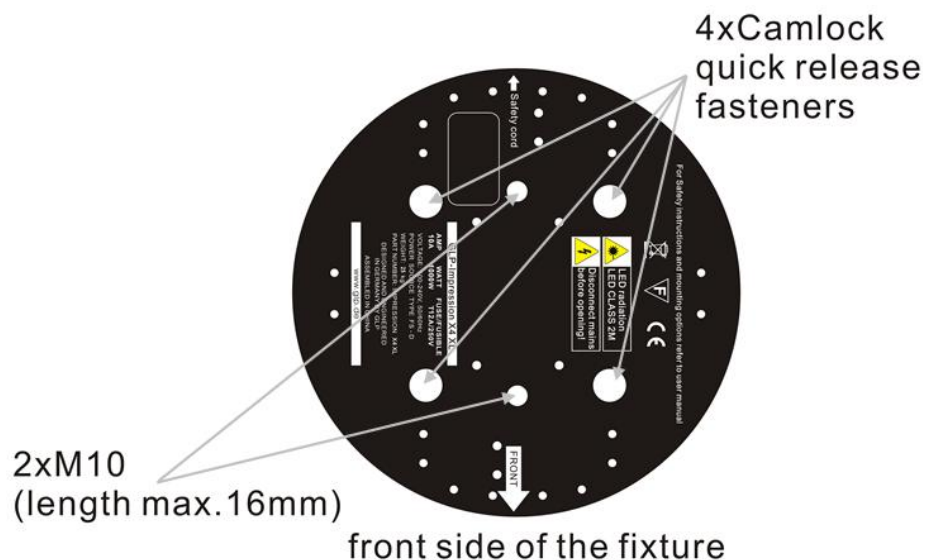
The **IMPRESSION X4XL** is fully operational whether it hangs or is mounted to the wall. It can also be operated while standing on the floor. Keep a safety distance of min. 0.5 m towards any easily inflammable materials (decoration etc.).



Pay attention to the regulations of: BGV C1 (former VBG 70) and DIN VDE 0711-217.

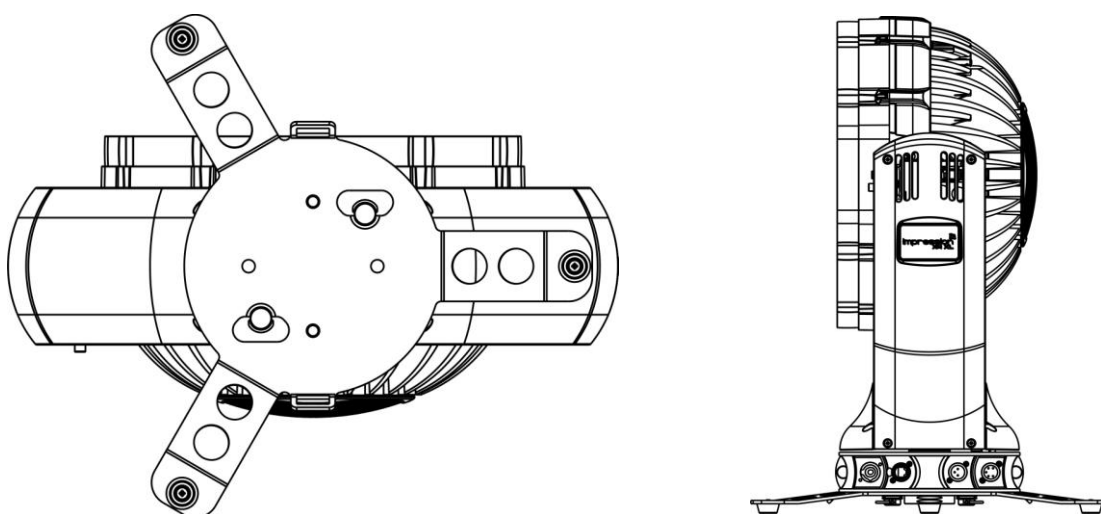
The installation shall be done by qualified staff only.

For the various mounting positions of the **IMPRESSION X4XL** (standing on the floor, sideways or hanging) different accessories kits are available. Through this a safe and firm installation is assured. You'll find dedicated connectors on the bottom side of the fixture which should be used. In addition the base is marked with a **FRONT** arrow allowing consistent orientation during installation.



2.2.1 Mounting on the Floor (upright)

To operate the **IMPRESSION X4XL** in an upright position, please use the dedicated tri-legged floor stand supplied with your fixture. It is fixed to the base of the fixture with fasteners called Camlock quick-release connectors. Insert the two fasteners and turn each 90° to lock them. Do the opposite to release them again. On both sides you'll find eyelets to pull through a fixing strap. This allows for additional bracing of the fixture.

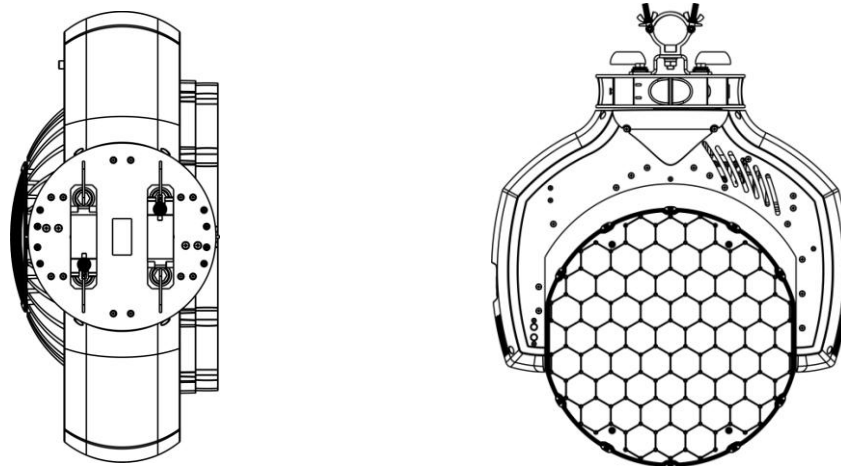


2.2.2 Mounting in hanging position (Head down) (Head down)

To operate the **IMPRESSION X4XL** in a hanging position two omega brackets can be mounted directly to the bottom of the base using the four Camlock connectors.

Alternatively two half-couplers (clamps) can be mounted directly to the bottom side of the fixture using M10x16 mm thread bolts.

Attention: Never use a longer bolt as this may damage the interior of the fixture.



2.3 Securing the Fixture

Regardless of the mounting method of the **IMPRESSION X4XL** you'll have to use a stipulated safety wire. Attach the safety wire through one of the two holes provided on the base of the fixture and connect it to the primary support structure. Pay attention to a safe and proper fastening. The safety cable must comply with EN 60598-2-17 Section 17.6.6 and be capable of bearing a static suspended load that is ten times the weight of the fixture and all installed accessories.

2.4 Connections

2.4.1 Power Supply

~100-240 Volt AC, 50-60 Hz, earth contact type plug - Powercon

Connected load 1100 VA (W) <=> T12A (micro-fuse 5x20mm)

Please see printing on the case for the right electronic supply!

Disconnect from the mains supply for changing the fuse and use only the above described micro-fuse type.

2.4.2 DMX

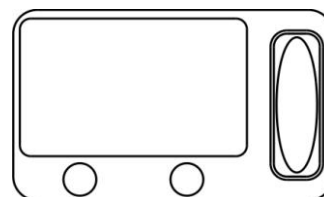
USITT DMX-512 Standard input/output in 3/5 pin connectors.

Pin 1 = [Ground] / Pin 2 = [-] / Pin 3 = [+] / Pin 4&5 N.C.

The DMX- Addressing starts at the DMX- Address [001].

3 The Menu Field

You'll find the control board on the side part of the arm. It allows you to make all necessary adjustments of the **IMPRESSION X4XL**. With the **Mode**-key you get into the main menu. Afterwards you can navigate through the menu with the **Up/Down**-keys. Push the **Enter**-key to get in the next menu level or to confirm your settings. Make them and set functions **ON/OFF** with the **Up/Down**-keys. Confirm and save it with the **Enter**-key (the display shows **OK**). Push the **Mode**-key to cancel the entry and go back to the main menu.



To lock or unlock the keys of the menu field press Mode+Enter+Up simultaneously.

← MODE - ENTER →

Level1	Level 2	Level 3	Level 4	Remark
DMX Start Address 001				Set the DMX start address
Special	Manual DMX			Manual control of all fixture functions
		Pan		Manual control for Pan (X-movement)
		Pattern Byte 3		Manual control for Pattern Byte 3 LED 17 -19
		Pattern Byte 2		Manual control for Pattern Byte 2 LED 9 - 16
		Pattern Byte 1		Manual control for Pattern Byte 1 LED 1 - 8
		Pattern		Manual control for Pattern channel / bank
		Zoom		Manual control for Zoom
		Speed Movements		Manual control for Pan/Tilt movements

← DOWN - UP →

← DOWN - UP →

	Pan/Tilt Movements	Manual control for Pan/Tilt movements
	Special	
	White Temperature	Manual control for Color temperature
	Dimmer	Manual control for Dimmer
	Shutter	Manual control for Shutter
	White	Manual control for White
	Blue	Manual control for blue
	Green	Manual control for green
	Red	Manual control for red
	Color Wheel	Manual control for the color wheel
	Tilt	Manual control for Tilt (Y-movement)
Adjust		
	Key code xxxx	Use the code for entering the calibration menu (for authorized persons only)
	Display Contrast	Adjustment for the Display contrast
	PWM - Frequ. Adj.	Changes PMW frequency
	Pan Offset	Calibration for Pan-Offset
	Tilt Offset	Calibration for Tilt-Offset
	LED adjust	
	White adjust red	Adjust intensity for red channel
	White adjust blue	Adjust intensity for blue channel
	White adjust green	Adjust intensity for green channel
	Clear EEPROM	Erase EEPROM memory
	Diagnose	Diagnose fixture functions
DMX Image		
	Set image if DMX off	Activates a stored scene if DMX is off
	Save image in memory	Stores the scene currently sent to the unit
DMX input Monitor		Indicates the presently received DMX signal per DMX channel
	Pan	Instantaneous value for Pan
	Tilt	Instantaneous value for Tilt
	Pattern Byte 3	Instantaneous value for Pattern Byte 3
	Pattern Byte 2	Instantaneous value for Pattern Byte 2
	Pattern Byte 1	Instantaneous value for Pattern Byte 1

← DOWN - UP →

	Pattern	Instantaneous value for Pattern channel / bank
	Zoom	Instantaneous value for Zoom
	Speed Movements	Speed adjustment for Pan/Tilt movements → see item below
	Pan/Tilt Movements	Instantaneous value for Pan/Tilt movements
	Special	Instantaneous value for Special
	White Temperature	Adjustment of the color temperature for WHITE
	Dimmer	Instantaneous value for Dimmer
	Shutter	Instantaneous value for Shutter
	White	Instantaneous value for White
	Blue	Instantaneous value for Blue
	Green	Instantaneous value for Green
	Red	Instantaneous value for Red
	Color Wheel	Instantaneous value for Color Mixing unit
Set DMX Mode	Compressed Mode	Select the desired DMX Mode
	Normal Mode	Fixture works in "Compressed" mode → see also section 4 unterhalb
	High-Res. Mode	Fixture works in "Normal" mode → see also section 4 unterhalb
Position feedback		Fixture works in "High Resolution" mode → see also section 4 unterhalb
		Switch automatic position feedback ON/OFF
	Reverse Pan	Invert Pan movements: ON/OFF
	Reverse Tilt	Invert Tilt movements: ON/OFF
Reset		RESET and new calibration for all functions

4 DMX Channel Selection (DMX Protocol)

4.1 Normal-Mode (26 DMX channels)

Channel	Function	Time and Value	DMX	HEX	%	
1) PAN-coarse			0..255	00..FF	0..100	
2) PAN-fine			0..255	00..FF	0..100	
3) Tilt-coarse			0..255	00..FF	0..100	
4) Tilt-fine			0..255	00..FF	0..100	
5) Color (fixed)	Colors adjustable via RGB		0..7	00..07	0..2.5	
	Color 01 - Red ¹⁾		8..15	08..0F	3..5.5	
	Color 02 - Amber ¹⁾		16..23	10..17	6..8.5	
	Color 03 - Warm Yellow ¹⁾		24..31	18..1F	9..12.5	
	Color 04 - Yellow ¹⁾		32..39	20..27	13..15.5	
	Color 05 - Green ¹⁾		40..47	28..2F	16..18.5	
	Color 06 - Turquoise ¹⁾		48..55	30..37	19..21.5	
	Color 07 - Cyan ¹⁾		56..63	38..3F	22..24.5	
	Color 08 - Blue ¹⁾		64..71	40..47	25..27.5	
	Color 09 - Lavender ¹⁾		72..79	48..4F	28..30.5	
	Color 10 - Malve ¹⁾		80..87	50..57	31..34.5	
	Color 11 - Magenta ¹⁾		88..95	58..5F	35..37.5	
	Color 12 - Pink ¹⁾		96..103	60..67	38..40.5	
	White - CTO	3200K		104..111	68..6F	41..43.5
	White	5600K		112..119	70..77	44..46.5
	White - CTB	7200K		120..127	78..7F	47..49.5
	Rainbow Effect Stop ²⁾			128	80	50
Rainbow Effect ³⁾	slow - fast		129..223	81..DF	51..88	
Random colors	slow - fast		224..255	E0..FF	89..100	
6) Red	Color mixing system - Red	0 - 100%	0..255	00..FF	0..100	
7) Green	Color mixing system - Green	0 - 100%	0..255	00..FF	0..100	
8) Blue	Color mixing system - Blue	0 - 100%	0..255	00..FF	0..100	
9) White	Color mixing system - White	0 - 100%	0..255	00..FF	0..100	
10) Shutter	Shutter closed		0..15	00..0F	0..5.5	
	Shutter pulse random	slow – fast	16..47	10..2F	6..18.5	
	Fade on, snap off (random patterns)	slow – fast	48..79	30..4F	19..31	
	Snap on, fade off (random patterns)	slow – fast	80..111	50..6F	32..43	
	Fade on, fade off (random patterns)	slow – fast	112..143	70..8F	44..56	
	Strobe random	5s - 0.1s	144..199	90..C7	57..77	
	Strobe effect slow - fast	1 Hz - 10 Hz	200..239	C8..EF	78..94	
	Shutter open		240..255	F0..FF	95..100	
11) Dimmer	Dimmer	0 - 100%	0..255	0..FF	0..100	
12) CTO	No CTO		0..7	0..07	0..2.5	
	Continuous color temperature correction	Applicable for ALL colors	8..255	08..FF	3..100	
13) Special	Pattern Block 1 → See channel 17		0..3	00..03	0..1	
	Pattern Block 2 → See channel 17		4..7	04..07	2..3	
	Change PWM frequency		100..200	64..C8	40..78	
	RESET		250..255	FA..FF	98..100	
14) Movement macros	No macros		0	00	0	
	Movement	Size	Phase	Use "Speed" to adjust		
	PAN	1	0°	01..01	01..01	0.5
		1	90°	02..03	02..03	1.0

Channel	Function	Time and Value	DMX	HEX	%	
		1	180°	04..05	04..05	1.7
		1	270°	06..07	06..07	2.5
	PAN	2	0°	08..09	08..09	3.3
		2	90°	10..11	0A..0B	4.1
		2	180°	12..13	0C..0D	4.9
		2	270°	14..15	0E..0F	5.7
	PAN	3	0°	16..17	11..11	6.5
		3	90°	18..19	12..13	7.3
		3	180°	20..21	14..15	8.0
		3	270°	22..23	16..17	8.8
	PAN	4	0°	24..25	18..19	9.6
		4	90°	26..27	1A..1B	10.4
		4	180°	28..29	1C..1D	11.2
		4	270°	30..31	1E..1F	12
		TILT	size / phase see PAN	32..63	20..3F	13..25
		PAN / TILT	size / phase see PAN	64..95	40..5F	26..37
		PAN / TILT (inverse)	size / phase see PAN	96..127	60..7F	38..50
		Circle	size / phase see PAN	128..159	80..9F	51..62
	Circle (inverse)	size / phase see PAN	160..191	A0..BF	63..75	
	Lying eight	size / phase see PAN	193..223	C0..DF	76..87	
	Random movement	size / phase see PAN	224..255	E0..FF	88..100	
15) Pan / Tilt Speed	Pan/Tilt movement speed from controller		0..1	00..01	0..0.5	
	Pan/Tilt, slow – fast Use this channel for the speed of the macros on channel 14.		02..255	02..FF	1..100	
16) Zoom	Wide (flood) - narrow (spot)		0...255	00...FF	0...100	
17) Pattern	No pattern		0..2	00..02	0..1	
	Pre-defined patterns		03..253	03..FD	2..99	
	Activates direct access to LED Lenses		254..255	FE..FF	100	
18) Pattern Section 1	Direct activation of lenses 1 thru 8	Activation in binary style	0...255	00...FF	0...100	
19) Pattern Section 2	Direct activation of lenses 9 thru 16	Activation in binary style	0...255	00...FF	0...100	
20) Pattern Section 3	Direct activation of lenses 17 thru 19	Activation in binary style	0...255	00...FF	0...100	
21) Pattern Section 4	Direct activation of lenses 20 thru 27	Activation in binary style	0...255	00...FF	0...100	
22) Pattern Section 5	Direct activation of lenses 28 thru 35	Activation in binary style	0...255	00...FF	0...100	
23) Pattern Section 6	Direct activation of lenses 36 thru 38	Activation in binary style	0...255	00...FF	0...100	
24) Pattern Section 7	Direct activation of lenses 39 thru 46	Activation in binary style	0...255	00...FF	0...100	
25) Pattern Section 8	Direct activation of lenses 47 thru 54	Activation in binary style	0...255	00...FF	0...100	
26) Pattern Section 9	Direct activation of lenses 55 thru 57	Activation in binary style	0...255	00...FF	0...100	

4.2 Compress-Mode (14 DMX channels)

Channel	Function	Time and Value	DMX	HEX	%	
1) PAN-coarse			0..255	00..FF	0..100	
2) PAN-fine			0..255	00..FF	0..100	
3) Tilt-coarse			0..255	00..FF	0..100	
4) Tilt-fine			0..255	00..FF	0..100	
5) Color (fixed)	Colors adjustable via RGB		0..7	00..07	0..2.5	
	Color 01 - Red ¹⁾		8..15	08..0F	3..5.5	
	Color 02 - Amber ¹⁾		16..23	10..17	6..8.5	
	Color 03 - Warm Yellow ¹⁾		24..31	18..1F	9..12.5	
	Color 04 - Yellow ¹⁾		32..39	20..27	13..15.5	
	Color 05 - Green ¹⁾		40..47	28..2F	16..18.5	
	Color 06 - Turquoise ¹⁾		48..55	30..37	19..21.5	
	Color 07 - Cyan ¹⁾		56..63	38..3F	22..24.5	
	Color 08 - Blue ¹⁾		64..71	40..47	25..27.5	
	Color 09 - Lavender ¹⁾		72..79	48..4F	28..30.5	
	Color 10 - Mauve ¹⁾		80..87	50..57	31..34.5	
	Color 11 - Magenta ¹⁾		88..95	58..5F	35..37.5	
	Color 12 - Pink ¹⁾		96..103	60..67	38..40.5	
	White – CTO	Color temperature 3200K		104..111	68..6F	41..43.5
	White	Color temperature 5600K		112..119	70..77	44..46.5
	White – CTB	Color temperature 7200K		120..127	78..7F	47..49.5
Rainbow Effect Stop ²⁾			128	80	50	
Rainbow Effect ³⁾	slow - fast		129..223	81..DF	51..88	
Rainbow Effect, random colors	slow - fast		224..255	E0..FF	89..100	
6) Red	Color mixing system - Red	0 - 100%	0..255	00..FF	0..100	
7) Green	Color mixing system - Green	0 - 100%	0..255	00..FF	0..100	
8) Blue	Color mixing system - Blue	0 - 100%	0..255	00..FF	0..100	
9) White	Color mixing system - White	0 - 100%	0..255	00..FF	0..100	
10) Shutter	Shutter closed		0..15	00..0F	0..5.5	
	Shutter pulse random	slow – fast	16..47	10..2F	6..18.5	
	Fade on, snap off (random patterns)	slow – fast	48..79	30..4F	19..31	
	Snap on, fade off (random patterns)	slow – fast	80..111	50..6F	32..43	
	Fade on, fade off (random patterns)	slow – fast	112..143	70..8F	44..56	
	Strobe random	5s - 0.1s	144..199	90..C7	57..77	
	Strobe effect slow – fast	1 Hz - 10 Hz	200..239	C8..EF	78..94	
	Shutter open		240..255	F0..FF	95..100	
11) Dimmer	Dimmer	0 - 100%	0..255	0..FF	0..100	
12) Zoom	Wide (flood) - narrow (spot)		0..255	00..FF	0..100	
13) Special	Pattern Block 1 → See channel 14		0..3	00..03	0..1	
	Pattern Block 2 → See channel 14		4..7	04..07	2..3	
	Change PWM frequency		100..200	64..C8	40..78	
	RESET		250..255	FA..FF	98..100	
14) Pattern	No pattern		0..2	00..02	0..1	
	Pre-defined patterns		03..253	03..FD	2..99	

4.3 High Resolution/Extended-Mode (27 DMX Channels)

Channel	Function	Time and Value	DMX	HEX	%
1) PAN-coarse			0..255	00..FF	0..100
2) PAN-fine			0..255	00..FF	0..100
3) Tilt-coarse			0..255	00..FF	0..100
4) Tilt-fine			0..255	00..FF	0..100
5) Red-coarse	Color mixing system – Red	0 - 100%	0..255	00..FF	0..100
6) Red-fine	Color mixing system – Red-Low		0..255	00..FF	0..100
7) Green-coarse	Color mixing system – Green	0 - 100%	0..255	00..FF	0..100
8) Green-fine	Color mixing system – Green-Low		0..255	00..FF	0..100
9) Blue-coarse	Color mixing system – Blue	0 - 100%	0..255	00..FF	0..100
10) Blue-fine	Color mixing system – Blue-Low		0..255	00..FF	0..100
11) White-coarse	Color mixing system – White	0 - 100%	0..255	00..FF	0..100
12) White-fine	Color mixing system – White-Low		0..255	00..FF	0..100
13) Shutter	Shutter closed		0..15	00..0F	0..5.5
	Shutter pulse random	slow – fast	16..47	10..2F	6..18.5
	Fade on, snap off (random patterns)	slow – fast	48..79	30..4F	19..31
	Snap on, fade off (random patterns)	slow – fast	80..111	50..6F	32..43
	Fade on, fade off (random patterns)	slow – fast	112..143	70..8F	44..56
	Strobe random	5s - 0.1s	144..199	90..C7	57..77
	Strobe effect slow – fast	1 Hz - 10 Hz	200..239	C8..EF	78..94
	Shutter open		240..255	F0..FF	95..100
14) Dimmer-coarse	Dimmer	0 - 100%	0..255	0..FF	0..100
15) Dimmer-fine	Dimmer - Low		0..255	0..FF	0..100
16) Zoom	Wide (flood) - narrow (spot)		0...255	00...FF	0...100
17) Special	Pattern Block 1 → See channel 18		0..3	00..03	0..1
	Pattern Block 2 → See channel 18		4..7	04..07	2..3
	Change PWM frequency		100..200	64..C8	40..78
	RESET		250..255	FA..FF	98..100
18) Pattern	No pattern		0..2	00..02	0..1
	Pre-defined patterns		03..253	03..FD	2..99
	Activates direct access to LED Lenses		254..255	FE..FF	100
19) Pattern Section 1	Direct activation of lenses 1 thru 8	Activation in binary style	0...255	00...FF	0...100
20) Pattern Section 2	Direct activation of lenses 9 thru 16	Activation in binary style	0...255	00...FF	0...100
21) Pattern Section 3	Direct activation of lenses 17 thru 19	Activation in binary style	0...255	00...FF	0...100
22) Pattern Section 4	Direct activation of lenses 20 thru 27	Activation in binary style	0...255	00...FF	0...100
23) Pattern Section 5	Direct activation of lenses 28 thru 35	Activation in binary style	0...255	00...FF	0...100

Channel	Function	Time and Value	DMX	HEX	%
24) Pattern Section 6	Direct activation of lenses 36 thru 38	Activation in binary style	0...255	00...FF	0...100
25) Pattern Section 7	Direct activation of lenses 39 thru 46	Activation in binary style	0...255	00...FF	0...100
26) Pattern Section 8	Direct activation of lenses 47 thru 54	Activation in binary style	0...255	00...FF	0...100
27) Pattern Section 9	Direct activation of lenses 55 thru 57	Activation in binary style	0...255	00...FF	0...100

¹⁾ The predefined colors can be used as start-colors for the Rainbow effect. Please select first a desired start-color before you activate the rainbow effect. All **IMPRESSION X4XL** will then start from that color and will execute the rainbow effect synchronously. Different **IMPRESSION X4XL** can have different start-colors but will still execute the rainbow effect synchronously. If you choose a color different from the ones marked with ¹⁾ in the tables above the rainbow start-color will be red.

²⁾ Rainbow-effect Stop will pause this function. After resuming the rainbow-effect will be continued from the current color.

³⁾ The Rainbow-effect will run synchronously only if started from one of the predefined colors (see also ¹⁾ before).

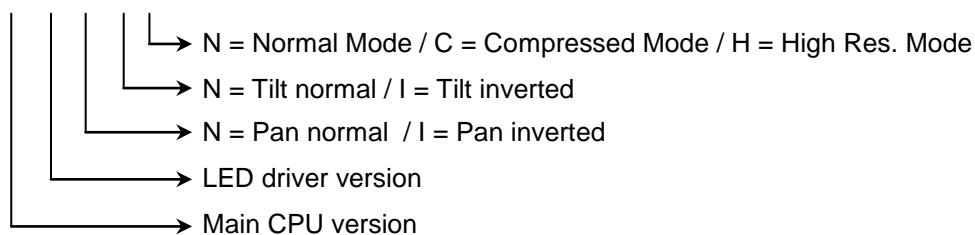
Locking and unlocking the Control Panel

Please lock and unlock the control panel by pressing the menu keys **MODE & ENTER & UP** at the same time.

Additional Display Indications

As a default you'll find the following additional information in the first row of the LCD display:

Vxx/xx/xx/xx/x



5 Maintaining and Cleaning

The **IMPRESSION X4XL** is a fixture of very low maintenance. It is only necessary to clean the air inlets and outlets as well as the optical LED lenses from time to time. For safe operation it is absolutely essential that the fixture is kept clean and that dust, dirt and smoke-fluid residues must not build up on, or within the fixture. Otherwise the fixture's light-output will be significantly reduced or damages can occur. Regular cleaning will not only ensure the maximum light-output, but will also allow the fixture to operate reliably throughout its life.

A soft lint-free cloth moistened with any good glass cleaning fluid is recommended, under no circumstances should alcohol or solvents be used!

5.1 Safety regulations

- **Pull out the mains power plug!**
- Wait min. 15 minutes after disconnecting power to allow the fixture to cool down.

5.2 Maintenance and Interval (rule-of-thumb)

The contamination of the fixture depends on the environment details. Hence no general guidelines can be given. The intervals given below are only suggestions from our experience.

Position	Interval	In this way
LED reflector and optical system	weekly	soft brush /lint-free cloth
Fan and air channel	monthly	vacuum cleaner, airbrush, etc.

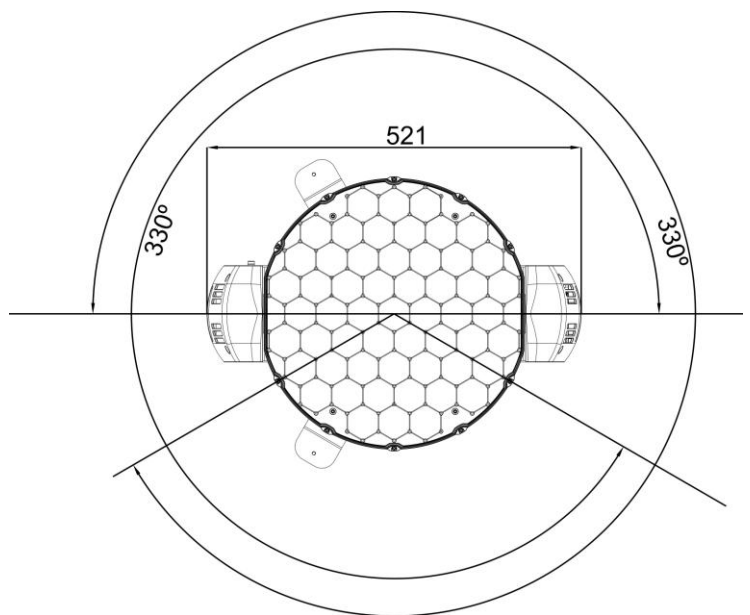
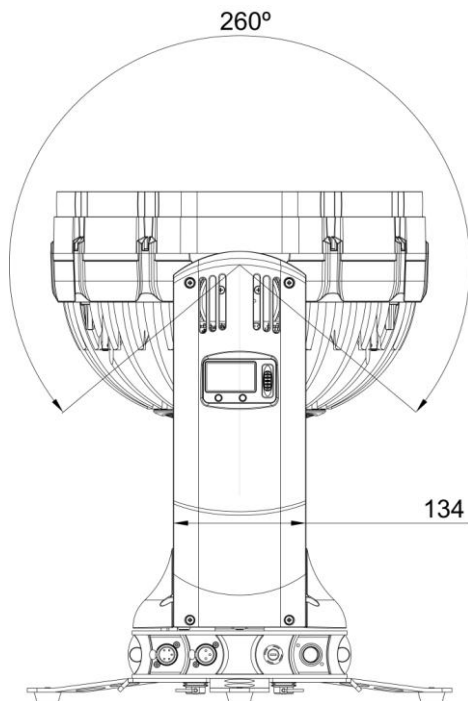
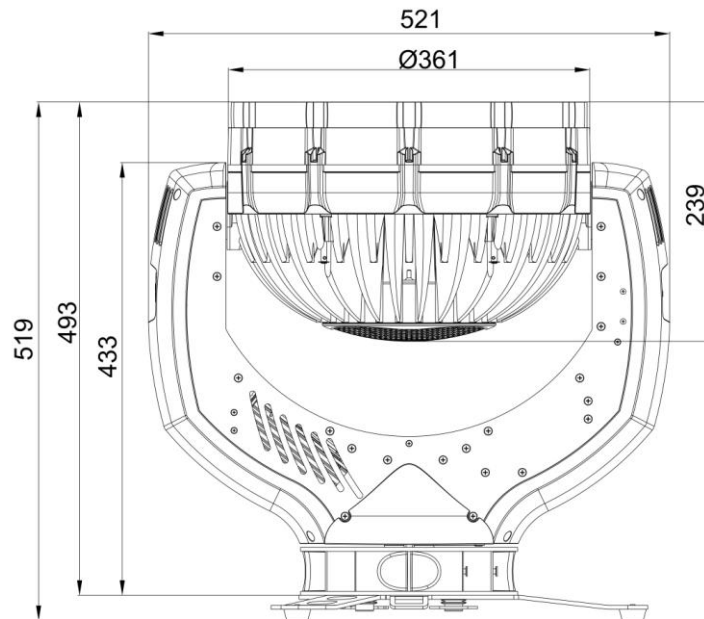
Attention:

- **Never let optical parts come into contact with oil or fat.**
- **Before running the fixture wait until all parts are dry.**
- **Never touch lenses with bare fingers.**

6 Technical Specifications

Power supply	
Power consumption	1100 VA (Watt)
Power Input	~100-240 V AC, 50-60 Hz (wide range input)
Fuse protection	Micro-fuse 5x20 mm, T12A
Operational Parameters	
Max. Ambient Temperature	5° - 45°C (integrated overheating switch)
Mounting Position	Any (see relevant chapter)
Lighting System - Additive Color mixing	
LED Type	55 x Osram Ostar RGBW multi-chip
Lifetime	50,000 h
Wavelength optimized for maximum presentable color space	
Optical System	
Full RGBW / High efficient Collimator cluster	
Shutter / Dimmer (8/16 Bit)	
Strobe- Effect with variable speed between 1 - 10 flashes per second, Random-Strobe, Pulse-Effects	
Continuous Dimmer 0 - 100%	
Zoom	
7 to 50 degree continuous zoom	
Optical Patterns	
Several hundred pre-defined beam patterns with direct access and manipulation	
DMX Control	
Standard USITT DMX-512, 3/5 pin XLR: [+]=Pin 3 / [-]=Pin 2 / [Ground]=Pin 1 / Pin 4&5 N.C. The DMX- Addressing starts at the DMX channel [001].	
Pan / Tilt (8/16 Bit)	
Pan- movement	660° in min. 3,2 seconds (Position Feedback)
Tilt- movement	260° in min. 1,5 seconds (Position Feedback)
Weights and Measures	
Width of the base	521 mm
Length of the base	361 mm
height (head vertical)	519 mm (incl. standing foot/tripod)
Weight (net)	31.0 kg

7 Dimensions



PAN movement range: 660°

8 Index

B	
beam-lights	6
BGV C1.....	7
C	
Camlock.....	8
Cleaning.....	18
Compress-Mode	15
D	
Danger of BURNING	5
Description of Device.....	4
Dimensions	20
DIN VDE 0711-217	7
Display Indications	17
DMX	10
E	
e-mail.....	1
EN 60598-2-17	9
Enter-key	10
Eyelets	8
H	
High Resolution (Extended) -Mode	16
I	
Instruction Version.....	1
Internet.....	1
L	
LED Class 2M	5
M	
Maintenance	18
Menu Field.....	10
Micro-fuse.....	10
Mode-key	10
Mounting	7
Mounting in hanging Position.....	9
Mounting on the Floor	8
N	
Normal-Mode	13
O	
Optical parts	18
P	
Pan- Movement.....	19
plano-convex lenses	6
Power Supply	10
R	
RESET	13, 15, 16
S	
Safety distance	7
Safety information	6
Safety Instructions	5
Secure the Device.....	9
sunlight.....	6
T	
Technical Specifications	19
Tilt- Movement	19
U	
Up/Down-keys	10
V	
VBG 70	7
W	
Warranty claims	5
Weights and Measures	19

