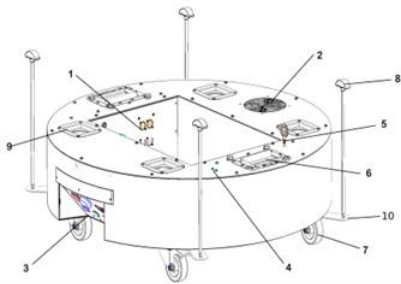

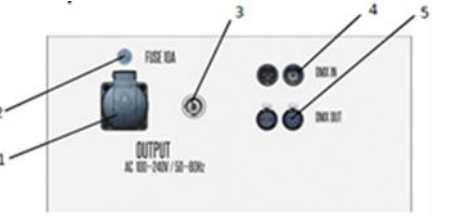


1 General Information / Overview



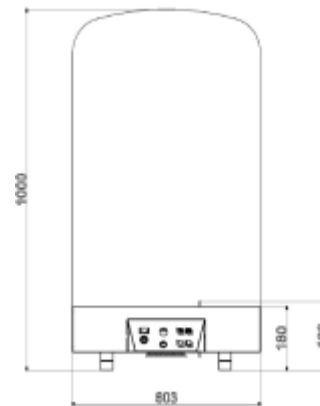
1. Connection panel
2. Fan cover, **important: keep free for safe use!**
3. Control panel
4. Air pressure sensor, **important: keep free for safe use!**
5. Safety wire point for used fixture (safety eye not included)
6. Handle
7. 4x Wheels (one with brake)
8. Anchors (optional)
9. 4x Castor dish
10. 4x holders for anchors

Control Panel	Connection Panel
 <ol style="list-style-type: none"> 1. Switch On/Off for Output 2. Switch Fan, 4 Levels 3. DMX Input: Neutrik 3-pole and 5-pole XLR 4. DMX Output: Neutrik 3-pole and 5-pole XLR 5. Switch Air Pressure Sensor 6. LED Pressure Sensor (ON: LED flashes) 7. Mains In (PowerCON) 	 <ol style="list-style-type: none"> 1. SCHUKO® Socket 2. Fuse 10 A 3. Output PowerCON 4. DMX Input: Neutrik 3-pole and 5-pole XLR-Plug 5. DMX Output: Neutrik 3-pole and 5-pole XLR -Socket


2 Technical Data

Voltage Input	110-240 V AC, 50 Hz
Voltage Output	110-240 V AC, 50 Hz, max 10 A
Base Dimensions /LxWxH/	850x850x290 mm
Total Dimensions	850x50x1650 mm
Weight	23 kg
Protection Rating base only	IP 20
Protection Rating with Cover	IP 44
DMX	5/3 pin XLR: (+) = pin 3; (-) = pin 2; (Ground) = pin 1

2.1 Dimensions



3 Application Notes

	<p>Outdoor use only with the rain protection cover (part of the delivery package)</p> <p>Positions (1), (7) and (11) –see 1 General Information / Overview, must kept free under any circumstances in order to secure a safe and smooth operation!</p>
---	--

4 Parts of Delivery

Base	
Rain Cover	
PowerCON Cable	
PowerCON Adapter	
Dust Filter	

5 Optional Accessories

Hanging Kit	
-------------	---



GLP German Light Products GmbH
Industriestr. 2, 76307 Karlsbad
Tel: +49 (0)72 48 / 927 19 – 0, Fax: -30,
E-Mail: info@glp.de, Internet: www.glp.de

Product Description

AIR DOME 850P

Weather protection for up to large fixtures



Version 1.1



support@glp.de
www.glp.de