

# DATA SHEET



F34

# F34



Cosmic Truss represents the highest quality and reliability.

Cosmic Truss F34 is a high strength square truss system that combines lightweight and high capacity. The square construction provides optimum strength and loading capacity for its size, with a standard tube diameter of 50mm (1.96 in). Section pieces connect together using a conical coupler, which is then secured with a locking pin, and a further safety clip for added security.

Cosmic Truss F34 can be used for a variety of applications, such as exhibitions, corporate events, retail environments, and live productions. F34 has a lightweight design making it easy to store and transport. Arcs, circles, and corner sections are available as part of the standard range.

The F34 range can also be ordered in customized designs, and can be supplied in different colored powder coating finishes.

Cosmic Truss products are tested to stringent TÜV safety standards.

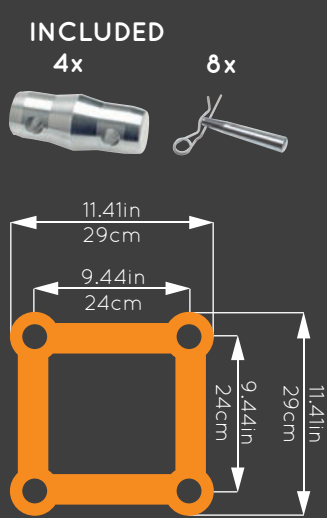
## TECHNICAL DATA

Main tube diameter:	1.96in (50mm)
Wall thickness:	0.078in (2mm)
Material:	EN AW 6082-T6
Brace tube diameter:	0.787in x 0.078in (20mm x 2mm)

Conical connectors included



## LOAD TABLE



Weight of the truss is considered in load table.

span	Uniform distribution load		Center point load		Point load in third-point		Point load in quarter-point		Point load in fifth-point	
	m/ft	kg/m	cm	kg	cm	kg	cm	kg	cm	kg
1 / 3.28	5007.20	0.0039	2010.58	0.0000	1914.44	0.0000	1668.92	0.0000	1251.80	0.0000
2 / 6.56	2499.00	0.0039	1747.02	0.0000	1606.44	0.0000	1383.80	0.0000	1249.60	0.0000
3 / 9.84	1663.20	0.2340	1544.18	0.1950	1383.80	0.3120	1145.76	0.2340	1036.20	0.1170
4 / 13.13	1105.50	0.4680	1383.80	0.3120	1215.50	0.5070	977.46	0.3900	872.52	0.3900
5 / 16.41	704.44	0.8190	1253.56	0.3900	1083.72	0.8190	852.50	0.6240	730.84	0.7020
6 / 19.68	486.20	1.1700	1145.76	0.6630	977.46	1.1700	729.74	0.9750	605.66	1.0140
7 / 22.97	352.00	1.5600	1054.90	1.0920	890.34	1.6380	621.28	1.2870	515.68	1.5210
8 / 26.25	268.40	2.0280	977.46	1.5210	809.38	2.2620	539.66	1.5990	447.92	1.7940
9 / 29.53	209.00	2.5350	910.58	2.0280	713.24	2.7300	475.42	2.0280	394.68	2.1450
10 / 32.81	167.20	3.1200	847.44	2.5350	635.58	3.2370	423.72	2.4960	351.78	2.4960
11 / 36.09	136.40	3.7050	762.08	3.0420	571.56	3.9390	381.04	3.0030	316.14	3.1200
12 / 39.37	112.20	4.3290	689.92	3.6270	517.66	4.6020	344.96	3.3540	286.44	3.5100
13 / 42.65	94.60	5.4990	628.54	4.0950	471.46	5.1480	314.16	4.1340	260.92	4.1340
14 / 45.93	79.20	6.2790	575.08	4.6410	431.42	6.0450	287.54	4.6410	238.70	4.7580
15 / 49.21	68.20	7.2540	528.22	5.3040	396.22	6.7860	264.22	5.0700	219.12	5.3040
16 / 52.49	59.40	8.3070	486.64	5.8890	364.98	7.5270	243.32	5.9280	201.96	6.1230
17 / 55.77	52.80	9.5550	449.68	6.5520	337.26	8.3850	224.84	6.4740	186.56	6.9420
18 / 59.06	46.20	10.7250	416.02	7.2150	311.96	9.2040	208.12	7.3320	172.70	7.3320

