

DATA SHEET



F24

F24



Cosmic Truss represents the highest quality and reliability.

Cosmic Truss F24 is a high strength square truss system that combines lightweight and high capacity. The square construction provides optimum strength and loading capacity for its size, with a standard tube diameter of 35mm (1.37 in). Section pieces connect together using a conical coupler, which is then secured with a locking pin, and a further safety clip for added security.

Cosmic Truss F24 can be used for a variety of applications, such as exhibitions, corporate events, retail environments, and live productions. F24 has a lightweight design making it easy to store and transport. Arcs, circles, and corner sections are available as part of the standard range.

The F24 range can also be ordered in customized designs, and can be supplied in different colored powder coating finishes.

Cosmic Truss products are tested to stringent TÜV safety standards.

TECHNICAL DATA

Main tube diameter:	1.37in (35mm)
Wall thickness:	0.063in (1.6mm)
Material:	EN AW 6082-T6
Solid rod bracing:	0.31in (8mm)
Conical connectors included	

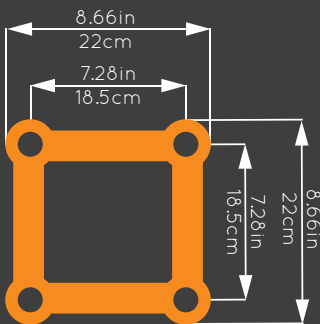
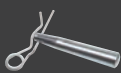


LOAD TABLE

INCLUDED
4x



8x



span	Uniform distribution load		Center point load		Point load in third-point		Point load in quarter-point		Point load in fifth-point	
	lbs/ft	Deflection in	lbs	Deflection in	lbs	Deflection in	lbs	Deflection in	lbs	Deflection in
1 / 3.28	420	0.01	257.67	0.01	210	0.02	140	0.01	105	0.01
2 / 6.56	208	0.11	198.02	0.08	171.54	0.12	135.35	0.11	104	0.10
3 / 9.84	137.33	0.35	160.79	0.22	135.35	0.32	102.81	0.27	89.58	0.30
4 / 13.13	99.24	0.81	135.35	0.44	111.77	0.62	82.88	0.52	71.53	0.56
5 / 16.41	65.20	1.30	116.86	0.74	95.18	1.03	69.43	0.85	59.53	0.91
6 / 19.68	45.94	1.90	102.81	1.13	82.88	1.55	59.73	1.26	50.98	1.35
7 / 22.97	34.05	2.60	91.78	1.60	73.40	2.18	52.41	1.76	44.58	1.87
8 / 26.25	26.22	3.42	82.88	2.16	65.86	2.93	46.69	1.34	39.60	2.48
9 / 29.53	20.80	4.34	75.56	2.81	59.73	3.78	42.09	3.0	35.63	3.17
10 / 32.81	16.90	5.38	69.43	3.54	54.64	4.74	38.32	3.75	32.38	3.96

Weight of the truss is considered in load table.



www.cosmictruss.com