

# DATA SHEET



F14

# F14



Cosmic Truss represents the highest quality and reliability.

Cosmic Truss F14 is a high strength square truss system that combines lightweight and high capacity. The square construction provides optimum strength and loading capacity for its size, with a standard tube diameter of 20mm (0.787 in). Section pieces connect together using a conical coupler, which is then secured with a locking pin, and a further safety clip for added security.

Cosmic Truss F14 can be used for a variety of applications, such as exhibitions, corporate events and retail environments. F14 has a lightweight design making it easy to store and transport. Arcs, circles, and corner sections are available as part of the standard range.

The F14 range can also be ordered in customized designs, and can be supplied in different colored powder coating finishes.

Cosmic Truss products are tested to stringent TÜV safety standards.

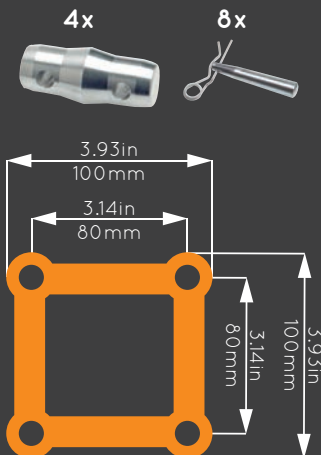
## TECHNICAL DATA

Main tube diameter:	0.787in (20mm)
Wall thickness:	0.078in (2mm)
Material:	EN AW 6082-T6
Solid rod bracing:	0.24in (6mm)
Conical connectors included	



## LOAD TABLE

### INCLUDED



Weight of the truss is considered in load table.

	Uniform distribution load	Deflection	Center point load	Deflection	Point load in third-point	Deflection	Point load in quarter-point	Deflection	Point load in fifth-point	Deflection
m/ft	lbs/ft	in	lbs	in	lbs	in	lbs	in	lbs	in
1 / 3.28	730.40	0.0312	234.76	0.0156	208.32	0.0234	161.37	0.0234	141.73	0.0234
2 / 6.56	224.66	0.1599	161.37	0.0936	131.69	0.1287	96.27	0.1053	82.61	0.1131
3 / 9.84	103.20	0.3705	120.58	0.2301	96.27	0.3159	68.60	0.2535	58.30	0.2691
4 / 13.13	58.74	0.6669	96.27	0.4368	75.88	0.5889	53.28	0.4641	45.03	0.4914
5 / 16.41	37.82	1.0491	80.10	0.7137	62.59	0.9477	43.56	0.7449	36.70	0.7839

### Available Lengths:

- F14030 - 0.98 feet / 0.3 meter straight length
- F14050 - 1.64 feet / 0.5 meter straight length
- F14080 - 2.63 feet / 0.8 meter straight length
- F14100 - 3.28 feet / 1.0 meter straight length
- F14150 - 4.92 feet / 1.5 meter straight length
- F14200 - 6.56 feet / 2.0 meter straight length
- F14250 - 8.20 feet / 2.5 meter straight length
- F14300 - 9.84 feet / 3.0 meter straight length

- F14BOX - 6-way block corner w/8 couplers
- F14BASE - 4 inches x 4 inches aluminum base plate
- F14 5006-1 - 20 mm dice
- F14 5032 - 20 mm half coupler
- F14 5038 - 20 mm double cheeseboro

Also Available:  
 Custom lengths  
 Black or other powder coat finishes  
 Various Spacers



www.cosmictruss.com